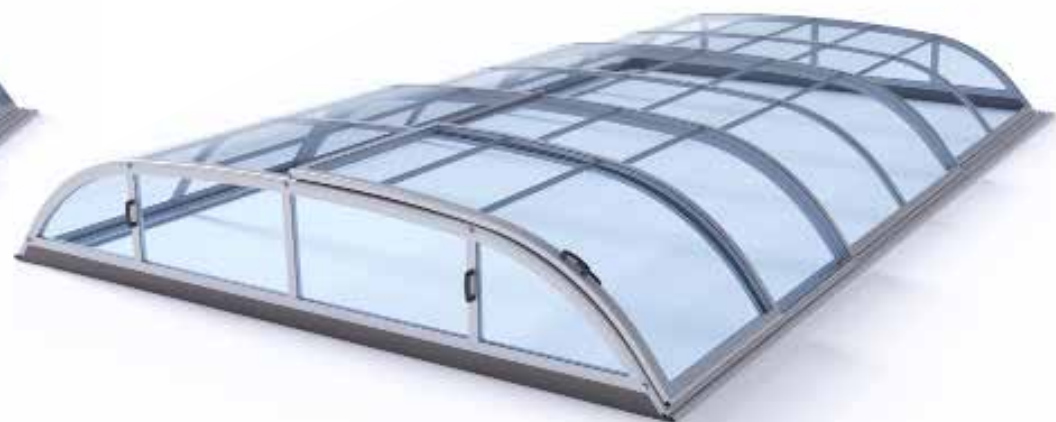


# DALLAS A [PKB 8MM]

# DALLAS A CLEAR [PK 4MM]

# DALLAS MIX

## [V-02]



VERZE: 01. 02. 2021 / REVIZE: 09. 11. 2021



**BG**  
 Използването на басейна е предназначено за използване в ANCOZ - NF P 90-309. Забранява се използването на басейна за целите, които не са предназначени за него.

**CZ**  
 Bazénové zastrešenie: lena komerčná. Využitie na účely, ktoré nie sú určené v príslušných zastrešeniach musí byť zabezpečené majiteľom.

**DE**  
 Schwimmbeckenabdeckung: keine Verwendung. Einbehalten der ANCOZ Norm - NF P 90-309. Das Gerät ist für den bestimmungsgemäßen Gebrauch vorgesehen. Die Verwendung zu anderen Zwecken ist untersagt.

**DK**  
 Bæskovræddning: kun kommerciel. Uventet anvendelse med ANCOZ - NF P 90-309. Anvendelse til andre formål end de i de tilsvarende brugsskemaer er forbudt eller særventet godkendt.

**ES**  
 Cubierta de piscinas: uso comercial. Cumplir con la ANCOZ Norm - NF P 90-309. Este dispositivo está diseñado para su uso previsto. No se permite su uso para otros fines.

**EE**  
 Basseinikattede: ainult komerantsiline. Kasutamiseks ANCOZ - NF P 90-309. Kasutamiseks mõeldud kasutamiseks mitte ettenähtud otstarbeks kasutada ei ole lubatud.

**FR**  
 Hors-normes piscine: utilisation commerciale. Conformité à la norme ANCOZ - NF P 90-309. Cet appareil est destiné à son utilisation prévue. Toute utilisation autre que celle prévue est interdite.

**GB**  
 The swimming pool enclosure: legal commercial use only. Compliance with ANCOZ - NF P 90-309. This enclosure is intended for use as specified in the instructions. Any other use is not permitted.

**HU**  
 Medencsofedőzetek: csak kereskedelmi célra. ANCOZ - NF P 90-309 megfelel. A termék kizárólag a használatára szánt célra használható.

**HR**  
 Nadstrešnice bazena: isključno komercijalna uporaba. ANCOZ - NF P 90-309. Ova nadstrešnica je namijenjena isključivo komercijalnoj uporabi.

**CN**  
 游泳池罩: 仅限商业用途。符合 ANCOZ 标准 - NF P 90-309。本产品仅用于其设计用途。任何其他用途均不被允许。

**IT**  
 Copertura per piscine: uso commerciale. Conformità alla norma ANCOZ - NF P 90-309. Questo dispositivo è destinato al suo uso previsto. Qualsiasi altro uso non è autorizzato.

**LT**  
 Šiluminis vandens baseinų uždangalas. Tinka ANCOZ - NF P 90-309. Šis prietaisas yra skirtas tik jo paskirtimui. Nėra leidžiama naudoti jį kitiems tikslams.

**LV**  
 Bāzēnu jautri: tikai komercijai. Atbilst ANCOZ - NF P 90-309. Šis ierīcis ir paredzēts tikai tā noteiktajam lietojumam.

**PL**  
 Zadaszkielone basenow: tylko komercyjny. Zgodnie z normą ANCOZ - NF P 90-309. Urządzenie jest przeznaczone do użytku zgodnie z instrukcją. Nie należy go wykorzystywać do innych celów.

**RO**  
 Acoperire pentru piscină: construcție comercială. Conformitate cu ANCOZ - NF P 90-309. Acest dispozitiv este destinat utilizării conform instrucțiunilor.

**RU**  
 Надстройка для бассейнов: только коммерческое использование. Соответствие нормам ANCOZ - NF P 90-309. Данное устройство предназначено для использования по своему прямому назначению.

**SE**  
 Pooltak: enbart kommersiell. I överensstämmelse med ANCOZ - NF P 90-309. Tillämpa till avsett ändamål. Användning för andra ändamål är inte tillåtet.

**SL**  
 Nadstrešnica za bazene: samo komercialna uporaba. ANCOZ - NF P 90-309. To napravo je namenjena samo za uporabo, za katero je namenjena.

**SK**  
 Bazénové zastrešenie: lena komerčná. Využitie na účely, ktoré nie sú určené v príslušných zastrešeniach musí byť zabezpečené majiteľom.



1SP11-01-032

DIN 7982  
4,8 x 13

16x

1

1SZ12-03-021

12x

2

1SP11-01-029

AN 9051  
6,3 x 50

28x

3

1SZ12-01-015

5x

4

1SP11-01-019

DIN 7976  
6,3 x 38

5x

5

1SZ12-03-020

4x

6

1SP07-01-001

$\varnothing 4$  x 10

60x

7

1SZ12-04-003

1x

8

1SP01-01-016

$\varnothing 8$  x 80

48x

9

1SP07-01-017

$\varnothing 4$  x 14

4x

11

1SZ08-01-102

2x

12

1SP11-01-027

AN 9051  
6,3 x 38

16x

13

1SZ08-01-103

2x

14

1NA03-01-050

1x

17

1CH02-01-011  
1SZ28-01-001

1x

18

1SZ02-01-011

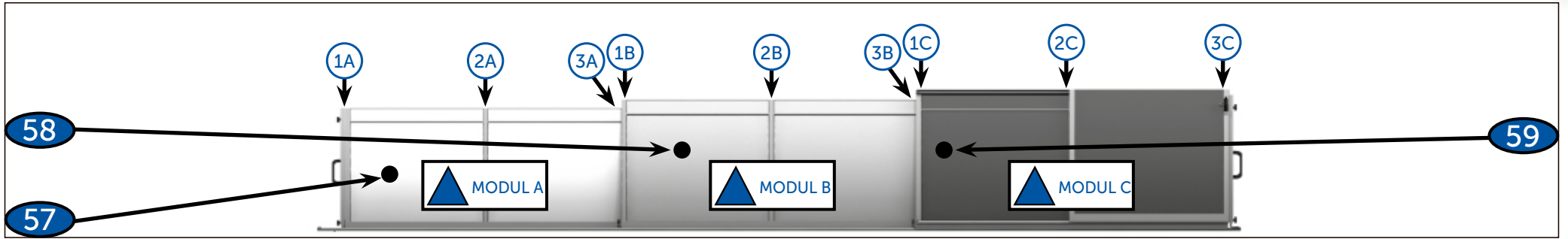
2x

19

1SZ02-01-009

2x

20



MODUL A

- 21 2Z02-06-SM004D-DB 703  
2Z02-06-SM004C-SILVER ELOX
- 22 2Z02-06-SM005D-DB 703  
2Z02-06-SM005C-SILVER ELOX
- 23 2Z02-06-SM006D-DB 703  
2Z02-06-SM006C-SILVER ELOX

1A	1x	21
2A	1x	22
3A	1x	23

MODUL B

- 24 2Z02-06-SM007D-DB 703  
2Z02-06-SM007C-SILVER ELOX
- 25 2Z02-06-SM008D-DB 703  
2Z02-06-SM008C-SILVER ELOX
- 26 2Z02-06-SM009D-DB 703  
2Z02-06-SM009C-SILVER ELOX

1B	1x	24
2B	1x	25
3B	1x	26

MODUL C

- 27 2Z02-06-SM010D-DB 703  
2Z02-06-SM010C-SILVER ELOX
- 28 2Z02-06-SM011D-DB 703  
2Z02-06-SM011C-SILVER ELOX
- 29 2Z02-06-SM012D-DB 703  
2Z02-06-SM012C-SILVER ELOX

1C	1x	27
2C	1x	28
3C	1x	29



2Z04-01-SD001D-DB 703  
2Z04-01-SD001C-SILVER ELOX

1041 mm
28x
<b>36</b>

This block shows a long, thin, silver-colored metal extrusion. A red-bordered inset in the top left shows a close-up of the extrusion's profile, which has a flat top and a small lip on the side. A red arrow points from this inset to the main product image.

2Z01-01-SD003

A
3230 mm
2x
<b>40</b>

This block shows a long, thin, silver-colored metal extrusion. Three red-bordered insets are present: one on the left showing a close-up of the extrusion's profile, one in the middle showing a cross-section of the extrusion, and one on the right showing a close-up of the extrusion's profile. Red arrows point from the left and right insets to the main product image.

2Z01-01-SD005

D
3230 mm
2x
<b>46</b>

This block shows a long, thin, silver-colored metal extrusion. Three red-bordered insets are present: one on the left showing a close-up of the extrusion's profile, one in the middle showing a cross-section of the extrusion, and one on the right showing a close-up of the extrusion's profile. Red arrows point from the left and right insets to the main product image.

2Z01-01-SD002

3230 mm
12x
<b>48</b>

This block shows a long, thin, silver-colored metal extrusion. A red-bordered inset on the right shows a close-up of the extrusion's profile, which has a curved top and two small lips on the sides. A red arrow points from this inset to the main product image.



				<p>2Z02-02-SR015D-DB 703 2Z02-02-SR015C-SILVER ELOX</p>	<p>MODUL C</p>
				<p>1x</p>	<p>50</p>

				<p>2Z02-02-SR014D-DB 703 2Z02-02-SR014C-SILVER ELOX</p>	<p>MODUL C</p>
				<p>1x</p>	<p>51</p>

				<p>2Z02-02-SR013D-DB 703 2Z02-02-SR013C-SILVER ELOX</p>	<p>MODUL B</p>
				<p>1x</p>	<p>52</p>

				<p>2Z02-02-SR012D-DB 703 2Z02-02-SR012C-SILVER ELOX</p>	<p>MODUL B</p>
				<p>1x</p>	<p>53</p>



MODUL A

2Z02-02-SR010D-DB 703  
2Z02-02-SR010C-SILVER ELOX

1x  
**54**

MODUL A

2Z02-02-SR011D-DB 703  
2Z02-02-SR011C-SILVER ELOX

1x  
**55**

MODUL A

OUT

MODUL A

MODUL A

2Z02-06-DK010-PKB8, MIX  
2Z02-08-DK010-CLEAR

2x  
4145 x 1050 mm  
**57**

MODUL B

OUT

MODUL B

MODUL B

2Z02-06-DK011-PKB8, MIX  
2Z02-08-DK011-CLEAR

2x  
4345 x 1050 mm  
**58**

MODUL C

OUT

MODUL C

MODUL C

MODUL C

2Z02-06-DK012-PKB8, MIX  
2Z02-08-DK012-CLEAR

3x  
2267 x 1050 mm  
**59**

MODUL

OUT

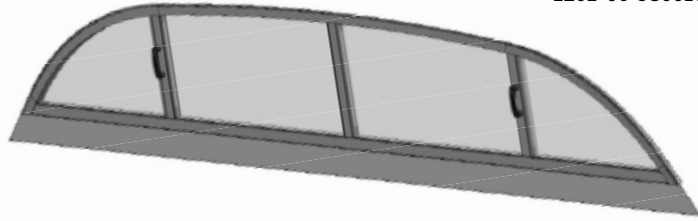
MODUL

2Z02-06-DK009-PKB8, MIX  
2Z02-08-DK009-CLEAR

1x  
2220 x 1050 mm  
**60**



2Z02-06-SC001D-DB703 (PKB8)  
2Z02-06-SC001C-SILVER ELOX (PKB8)

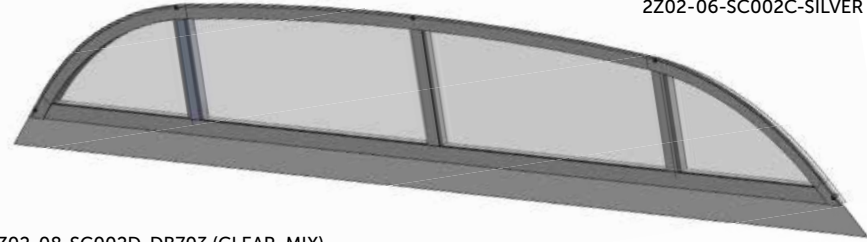


1x

61

2Z02-08-SC001D-DB703 (CLEAR, MIX)  
2Z02-08-SC001C-SILVER ELOX (CLEAR, MIX)

2Z02-06-SC002D-DB703 (PKB8)  
2Z02-06-SC002C-SILVER ELOX (PKB8)



1x

62

2Z02-08-SC002D-DB703 (CLEAR, MIX)  
2Z02-08-SC002C-SILVER ELOX (CLEAR, MIX)



1x

63



2Z02-06-SB003D-DB 703  
2Z02-06-SB003C-SILVER ELOX

1x

**69**

2Z02-06-SB002D-DB 703  
2Z02-06-SB002C-SILVER ELOX

1x

**70**

2Z03-01-SD014D-DB 703  
2Z03-01-SD014C-SILVER ELOX

1x

2150 mm

**71**

2Z03-01-SD013D-DB 703  
2Z03-01-SD013C-SILVER ELOX

1x

2150 mm

**72**





2Z05-01-SD002D-DB 703  
2Z05-01-SD002C-SILVER ELOX

2x  
**73**

2Z02-02-SR009D-DB 703  
2Z02-02-SR009C-SILVER ELOX

2x  
**74**

1SZ12-02-006

2x  
6,3 x 38

KEY

1x

**75**

2Z03-01-SD005D-DB 703  
2Z03-01-SD005C-SILVER ELOX

2150mm

2x

**76**

1SP11-01-024

AN 9051  
6,3 x 19

10x

**77**

1SZ12-02-001

2x  
6,3 x 25

1x

**78**

1TS04-01-001

2150mm

2x

**79**

1TS06-01-008

1012mm

2x

**80**

1TS03-01-007

2254mm

2x

**81**

1SZ18-01-097

4x

**82**

1SP07-01-014

ø4x8

8x

**83**



2Z02-08-DO001

4145 mm	4x
1 030 mm	4x

MODUL A

92

2Z02-08-DO002

4345 mm	4x
1 030 mm	4x

MODUL B

93

2Z02-08-DO003

2267 mm	6x
1 030 mm	6x

MODUL C

94

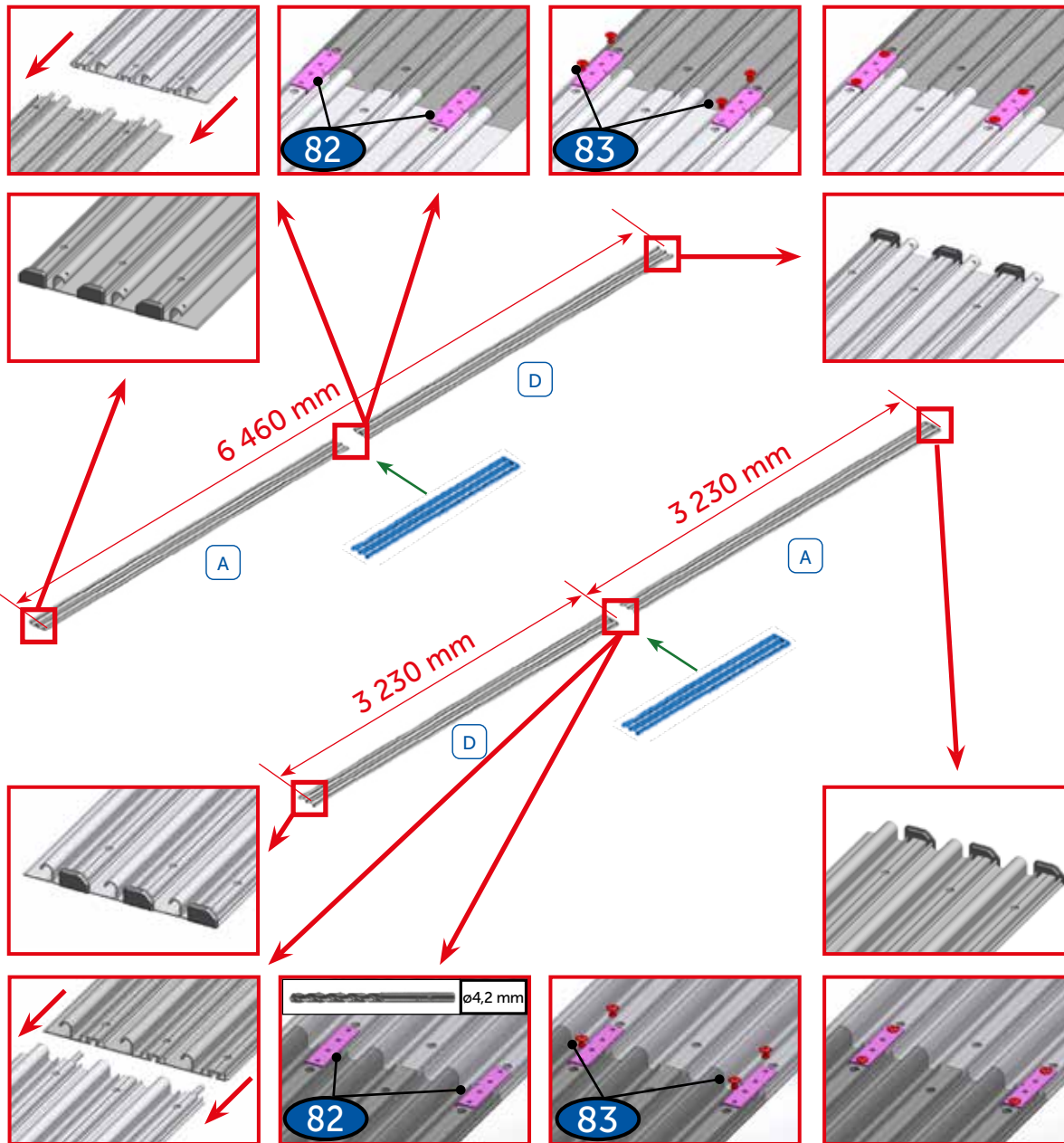
2Z02-08-DO004

2220 mm	2x
1 030 mm	2x

MODUL

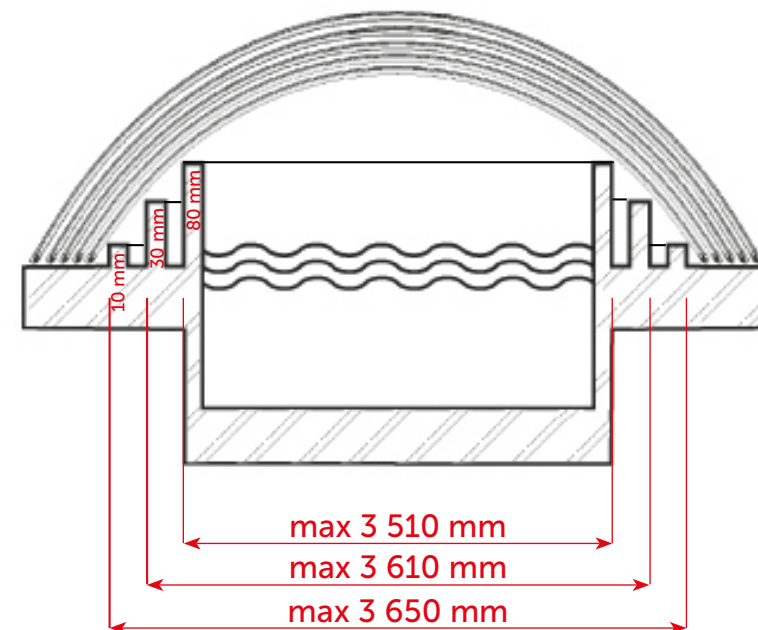
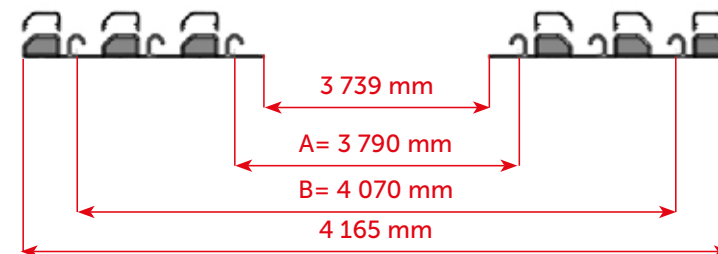
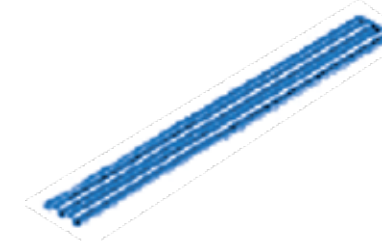
95

⚠ only DALLAS A CLEAR ⚠

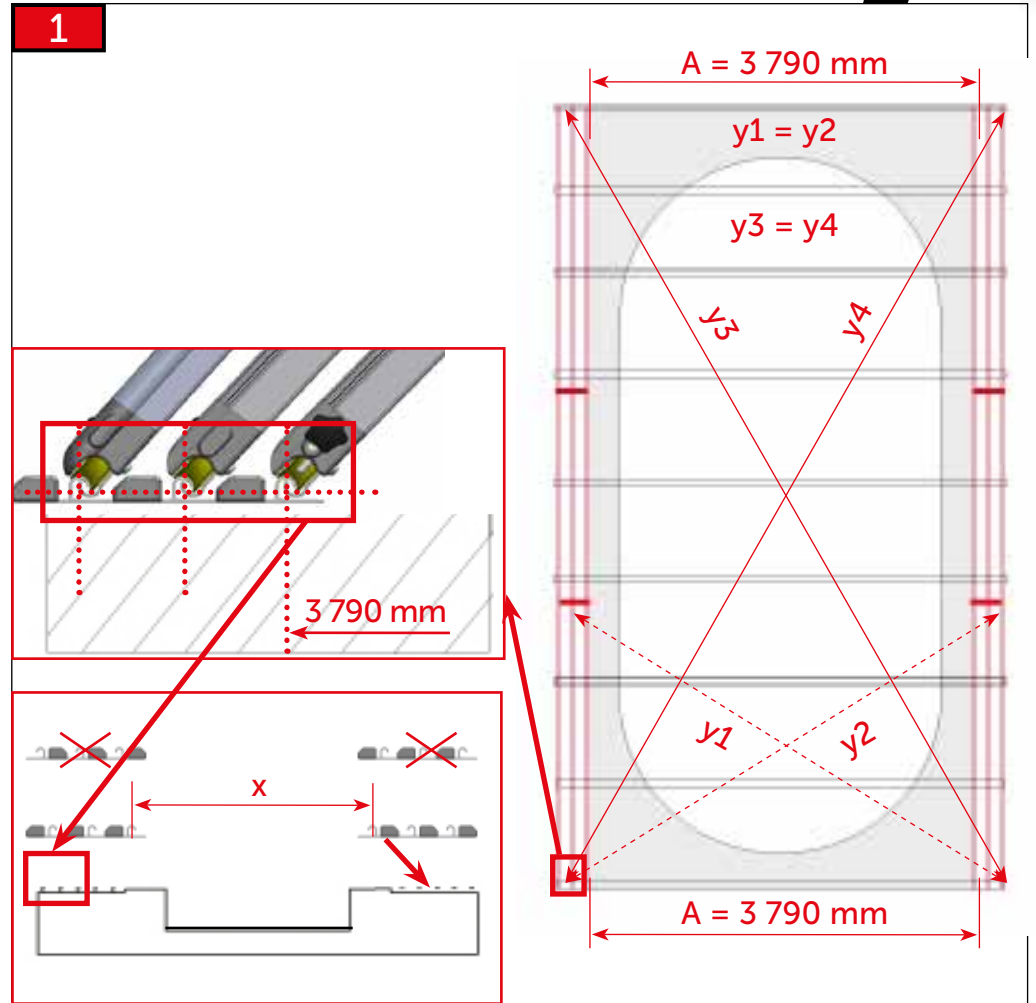
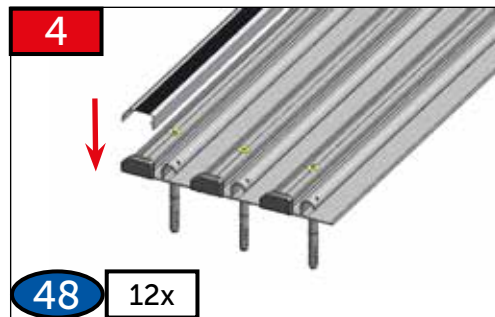
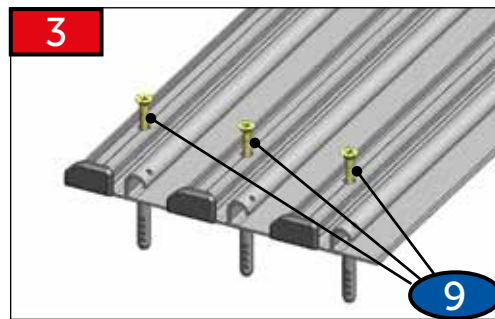
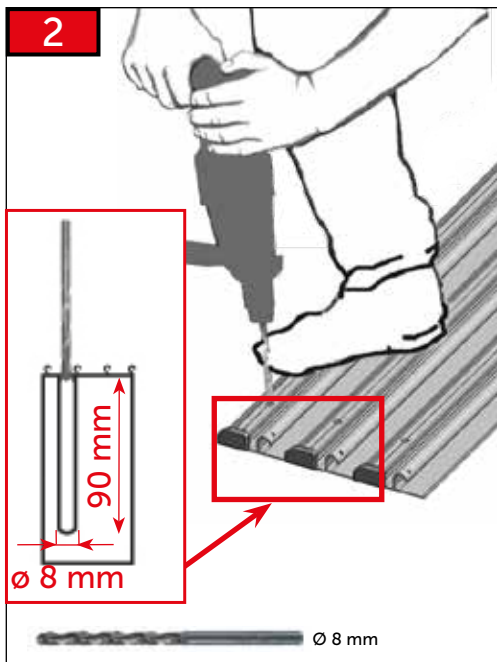
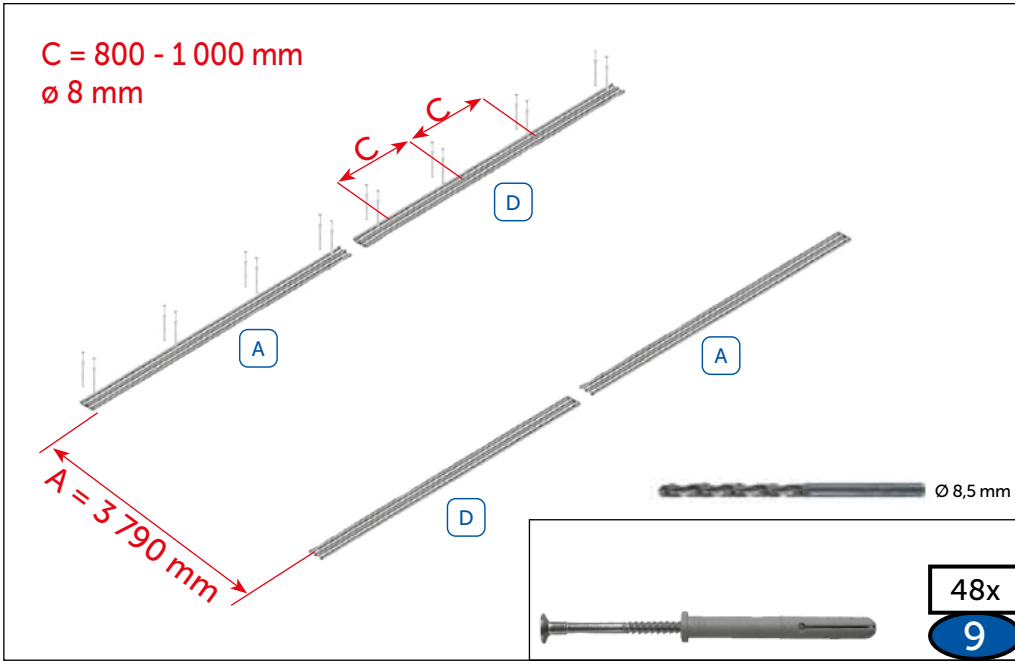


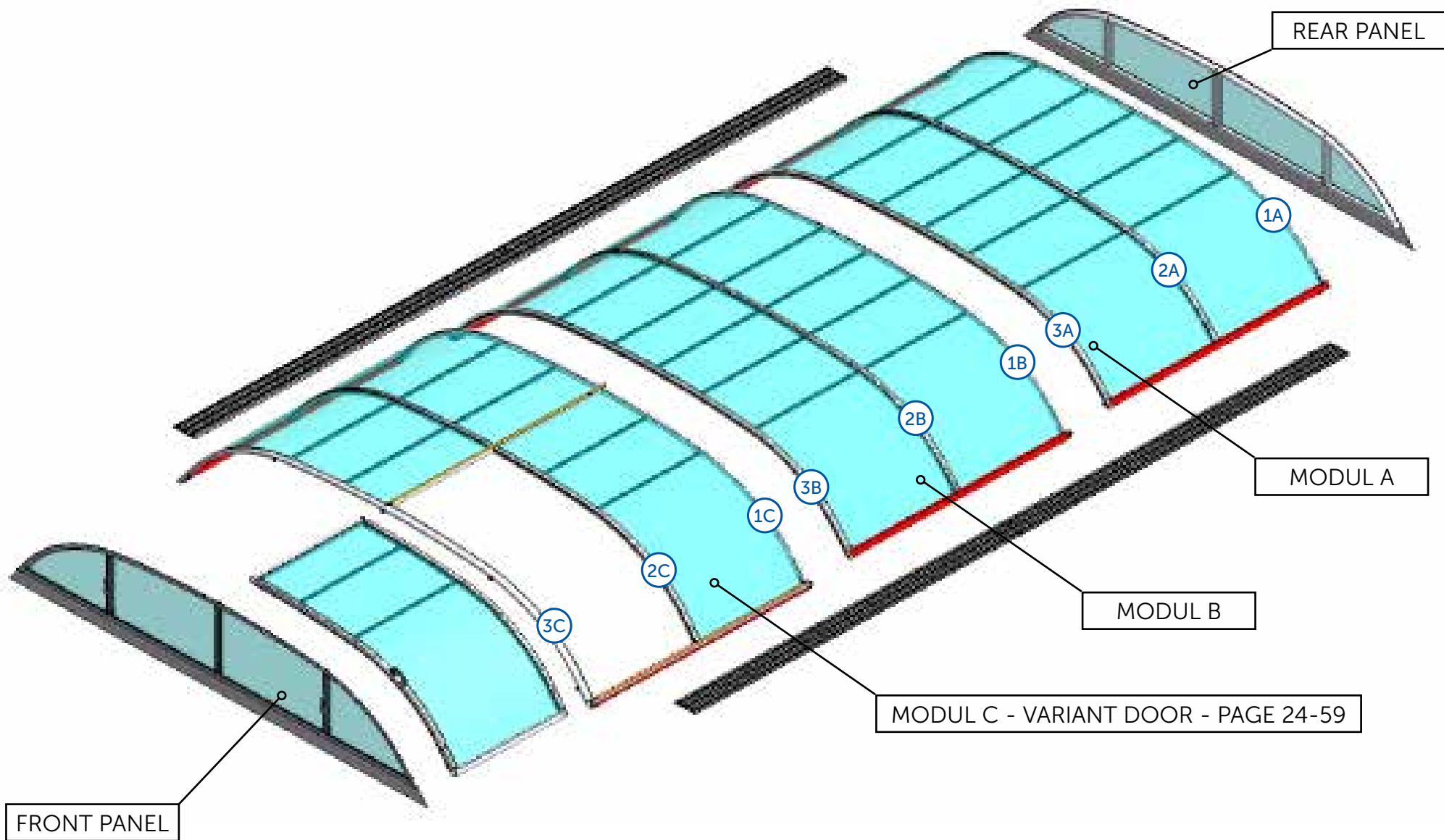
### OPTIONAL

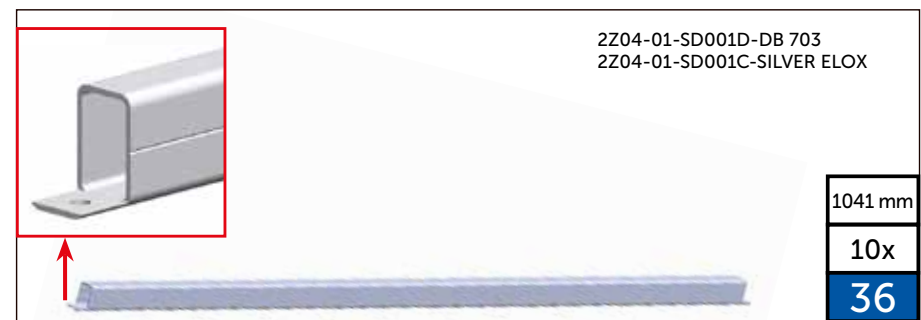
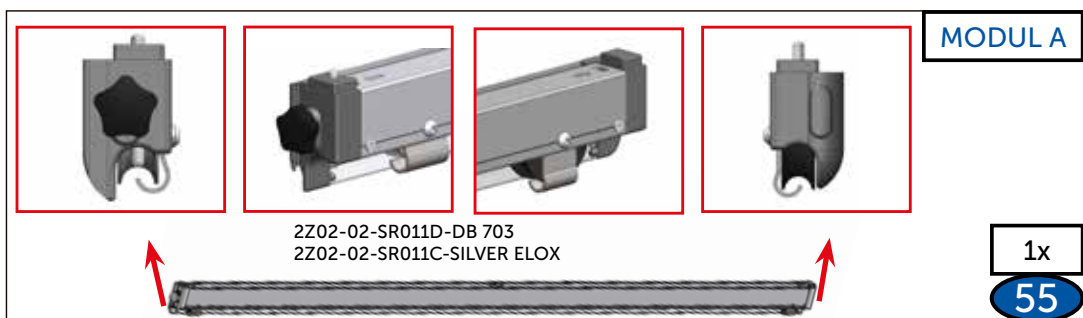
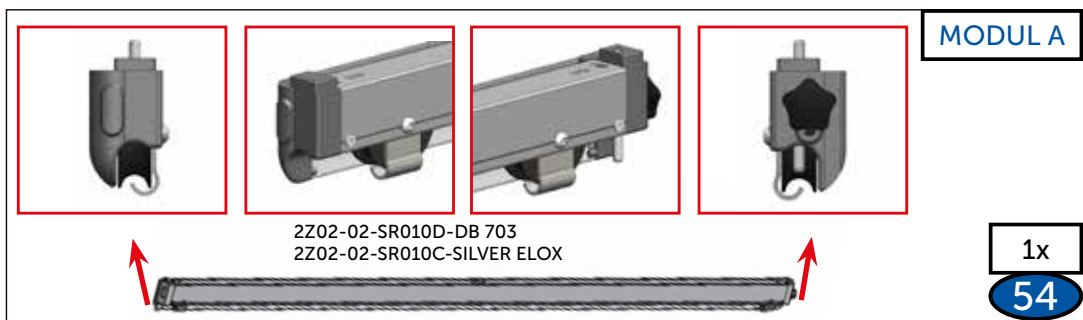
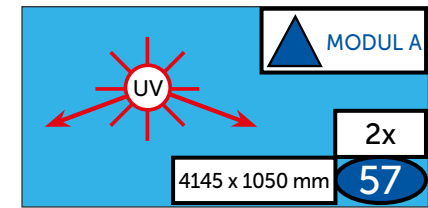
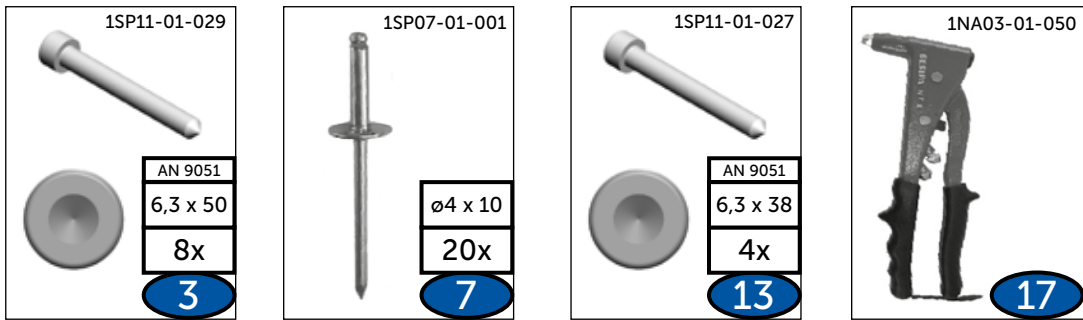
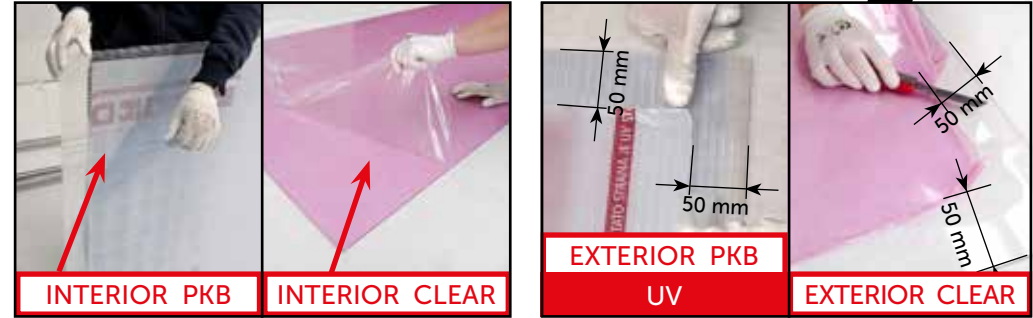
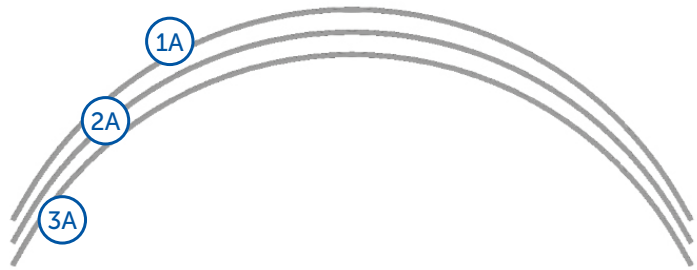
Prodloužení kolejí  
 Rail extension  
 Schienenverlängerung  
 Prolongement de rails  
 Ríales prolongados  
 Продолжение рельсов

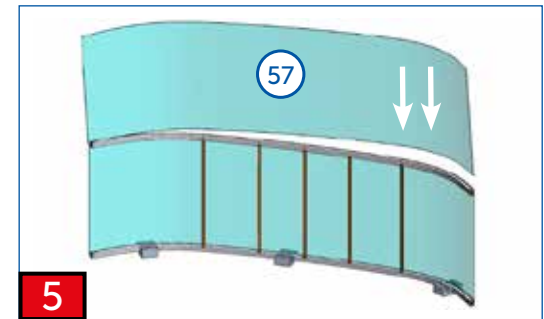
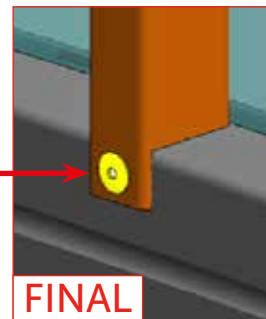
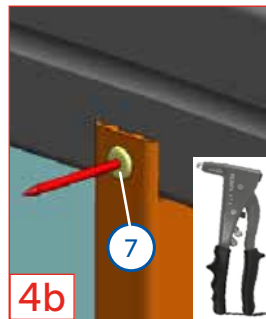
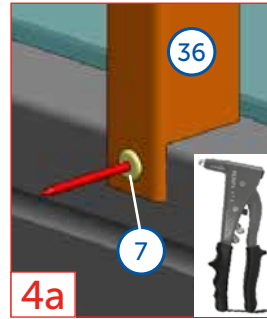
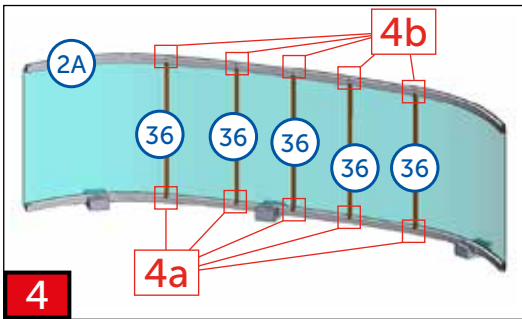
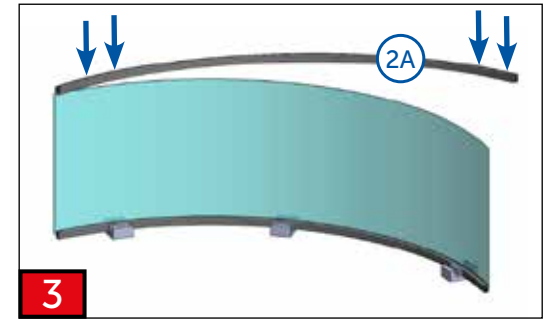
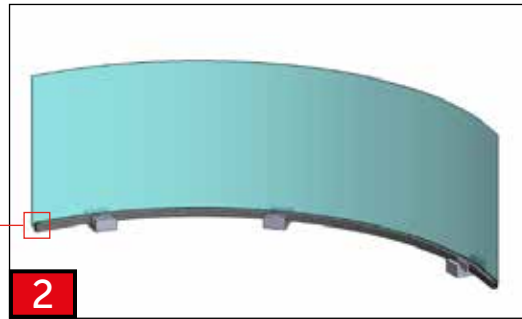
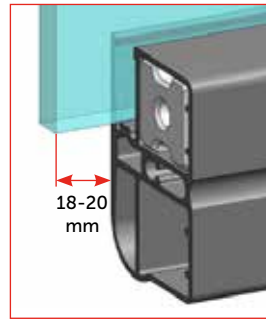
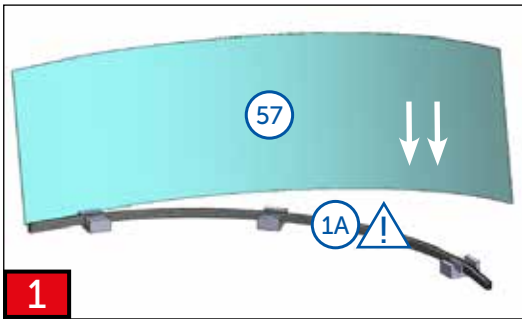
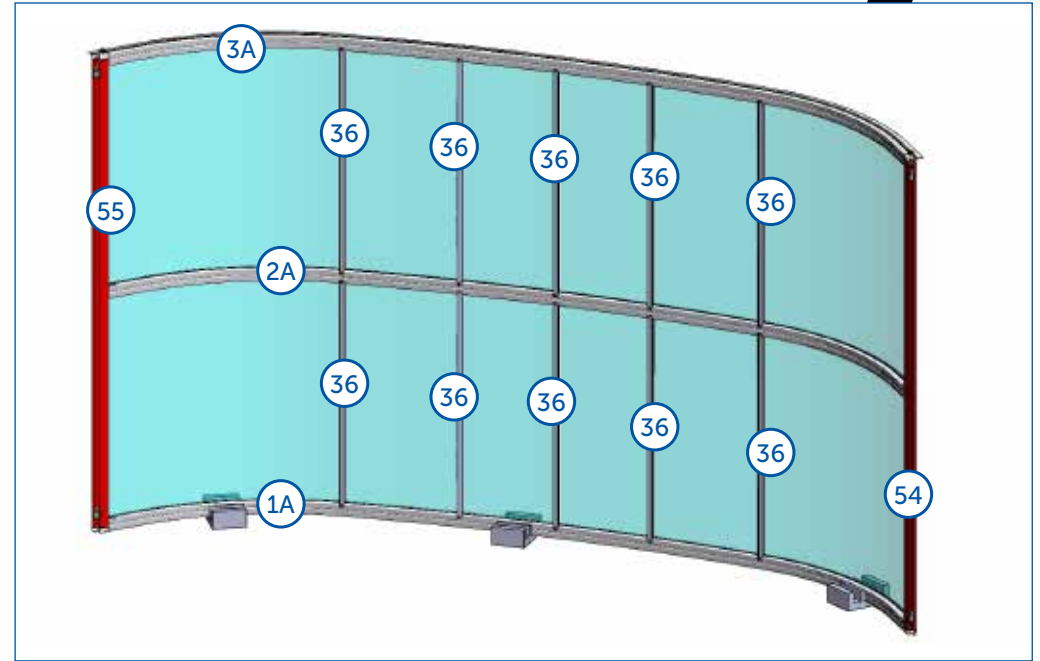
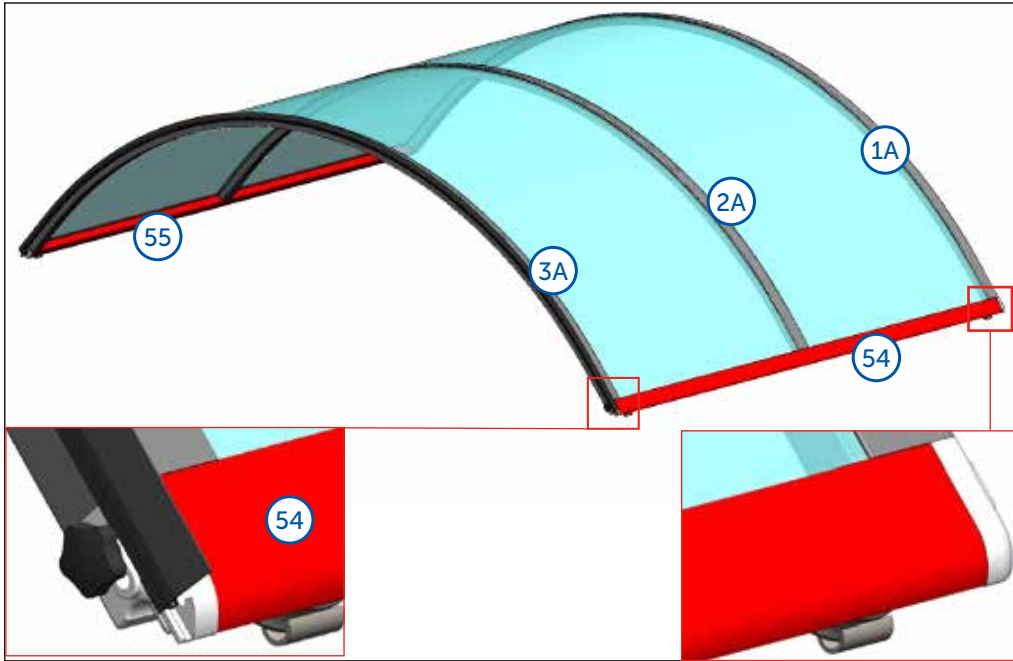


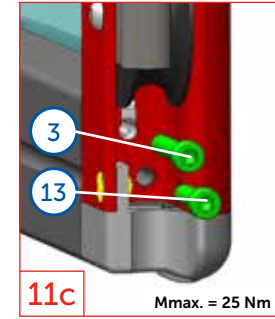
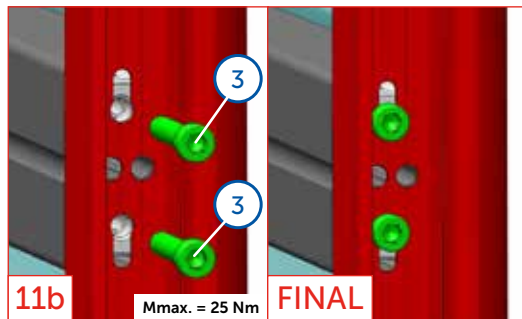
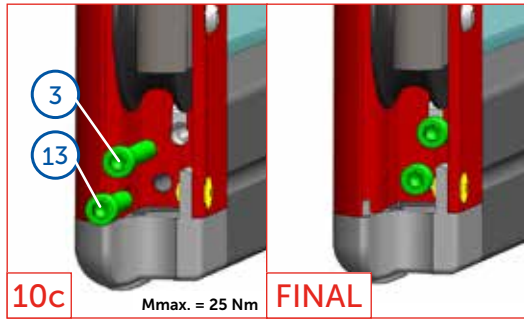
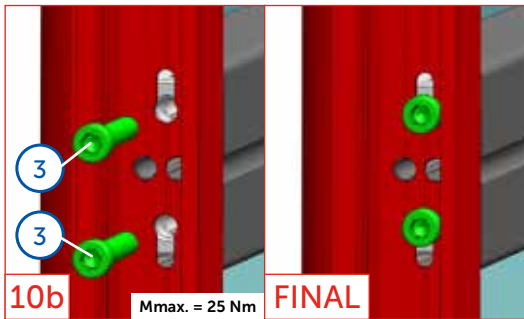
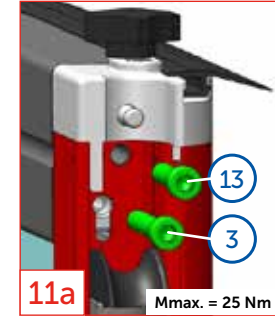
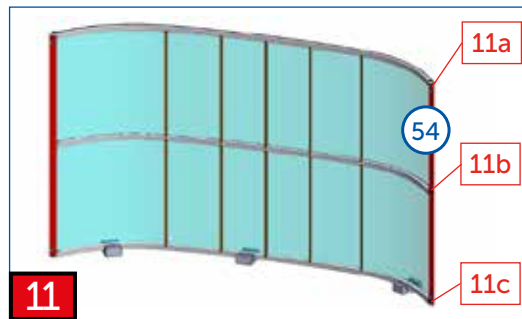
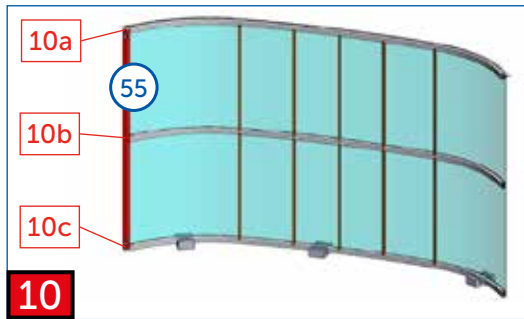
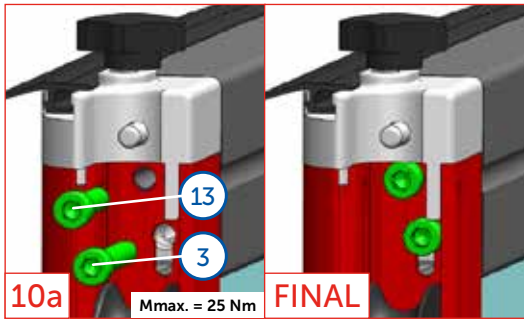
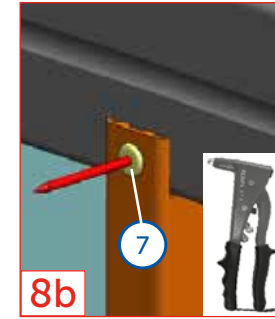
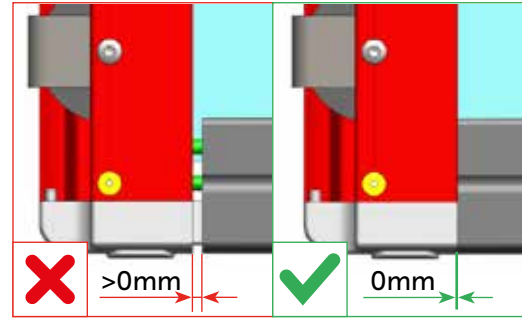
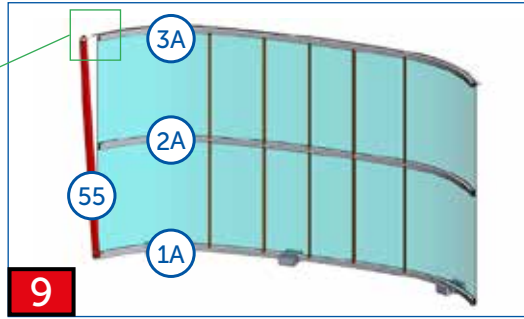
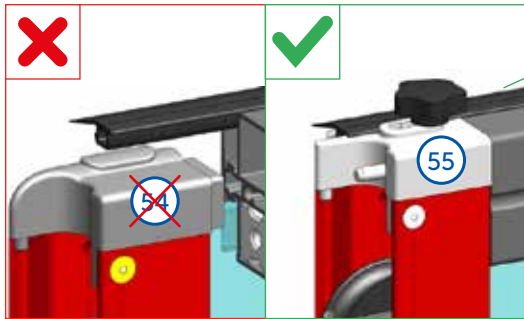
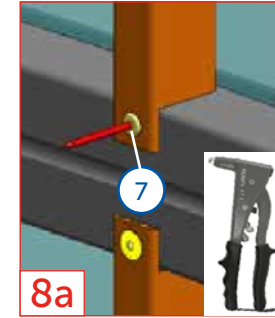
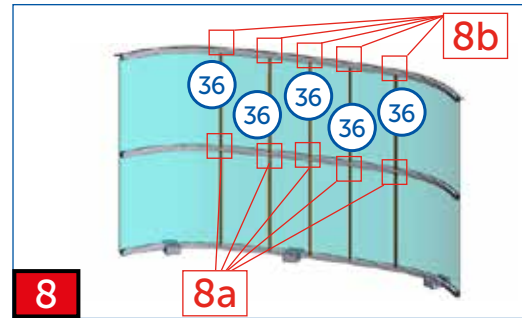
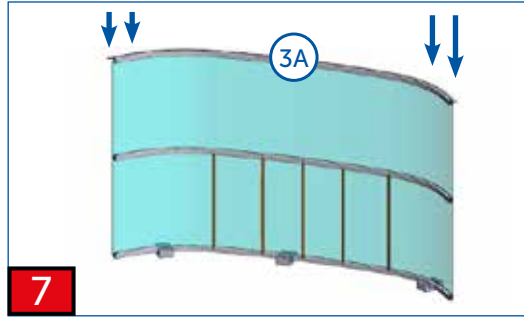
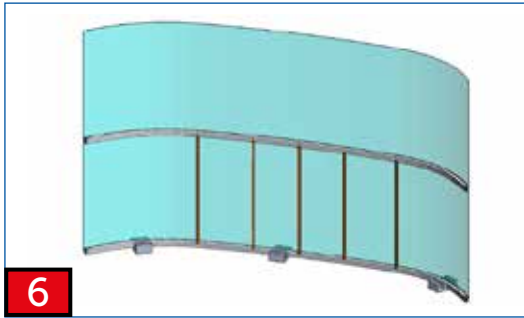
2x	<b>41</b>
2x	<b>47</b>



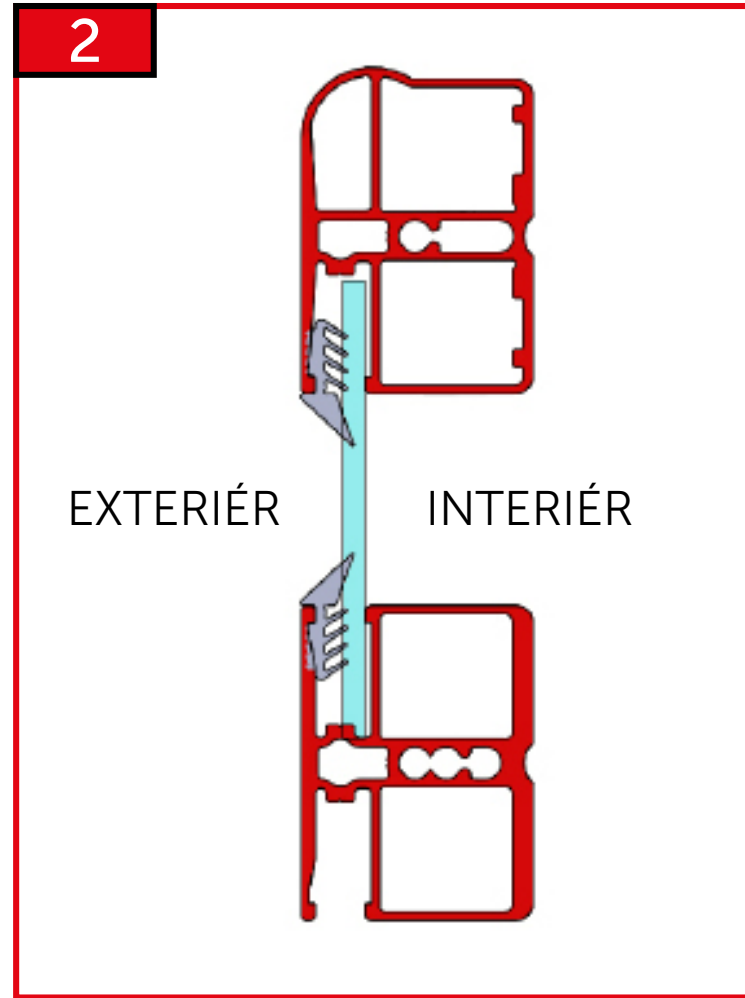
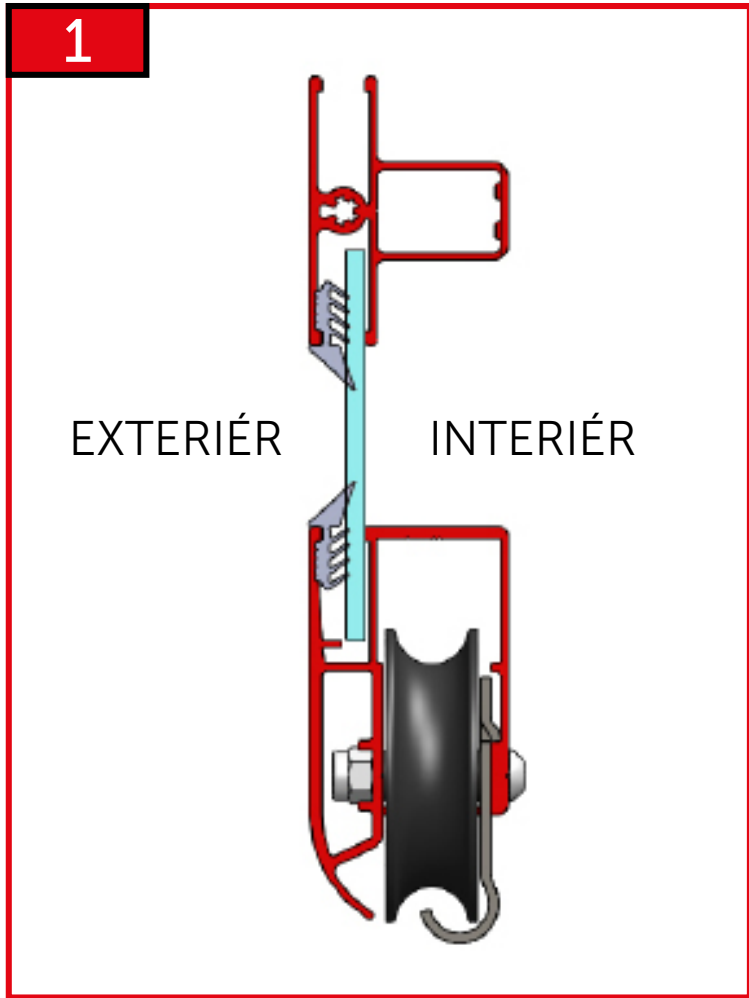


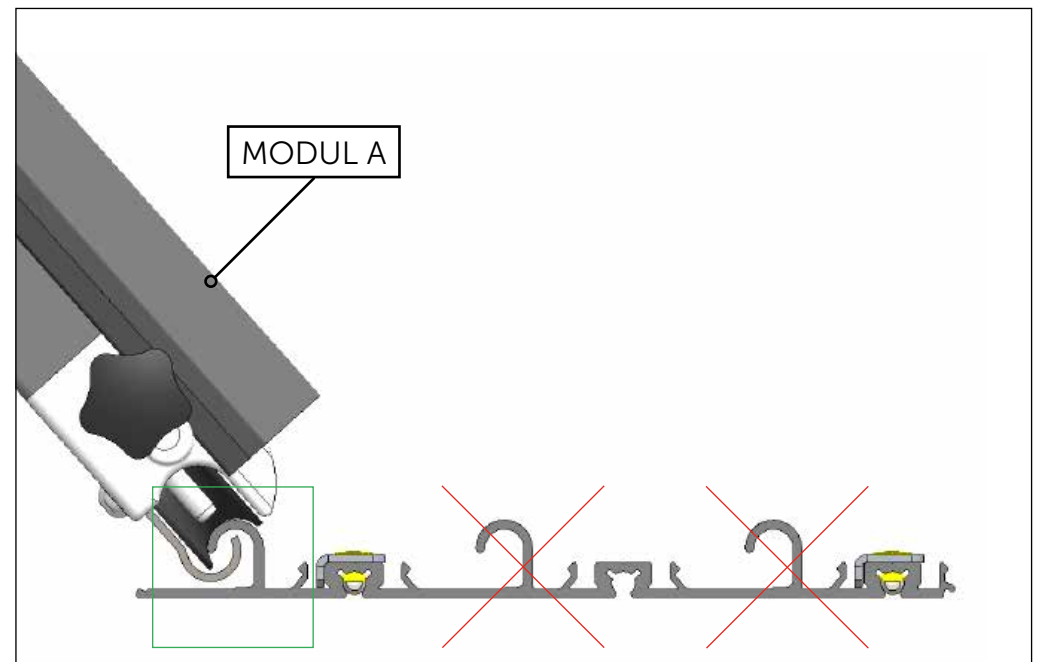
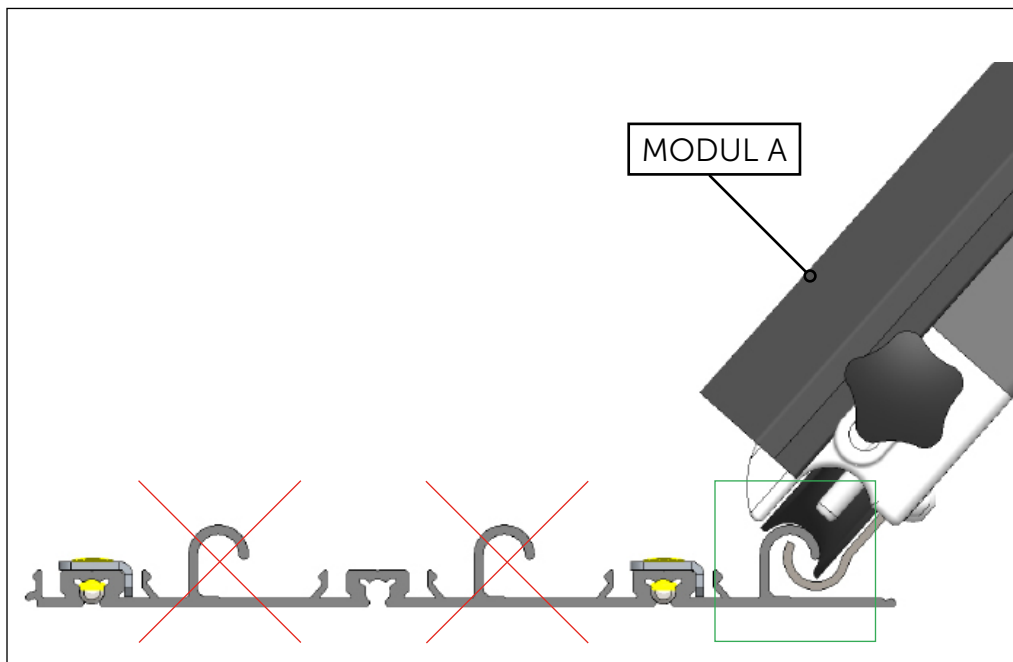
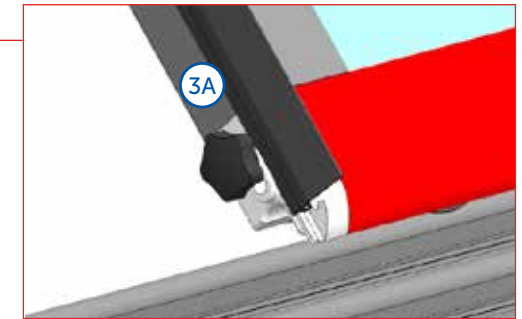
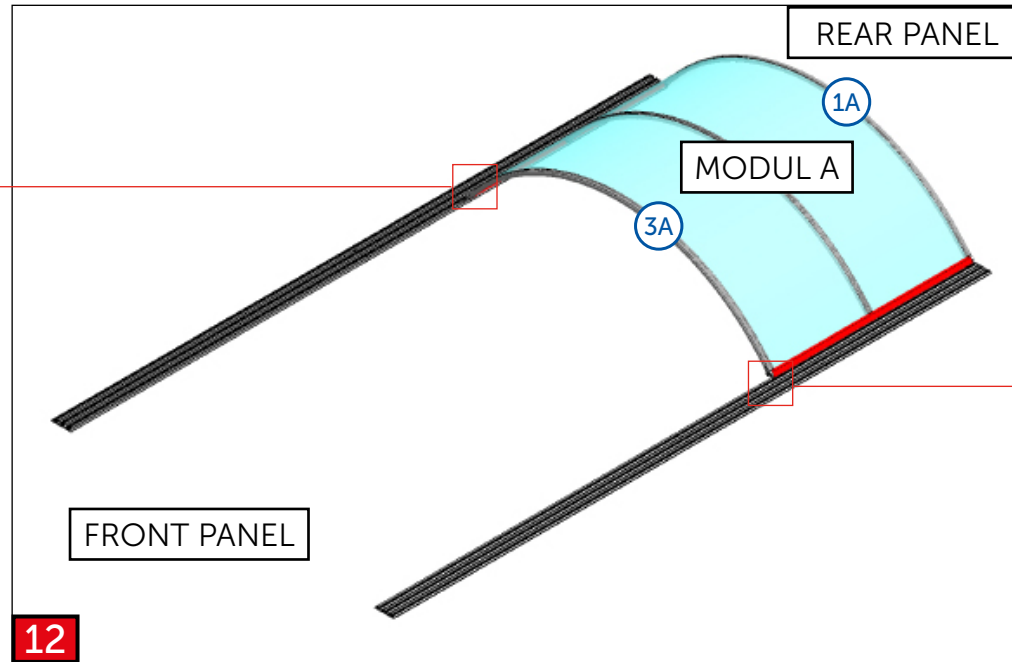
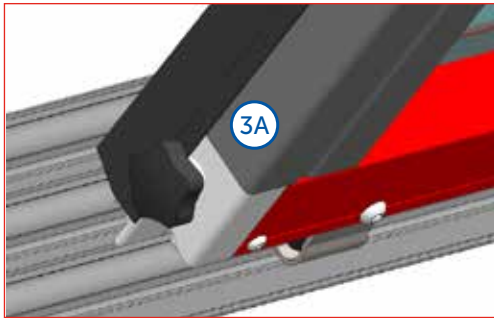


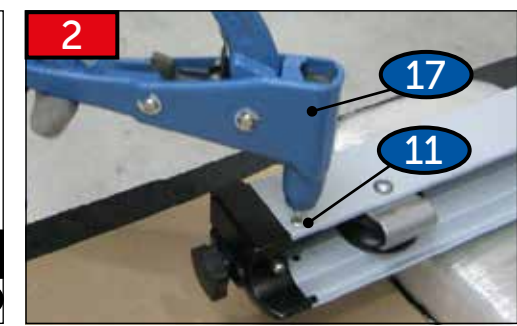
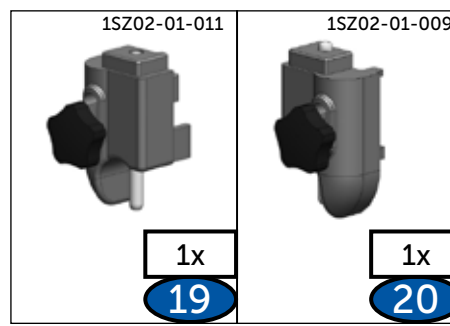
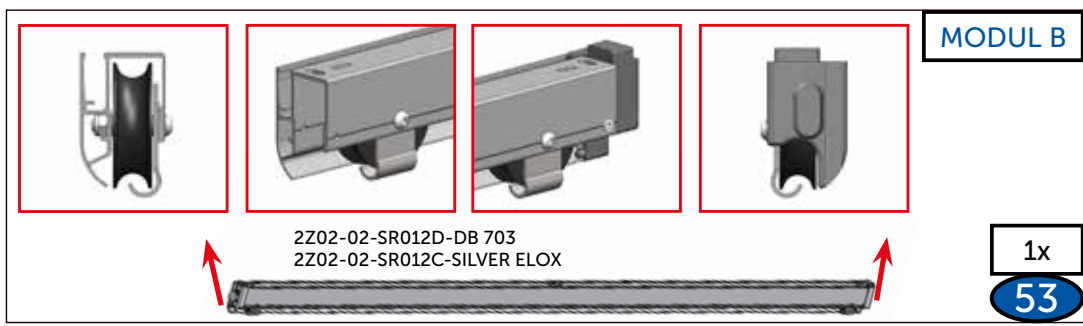
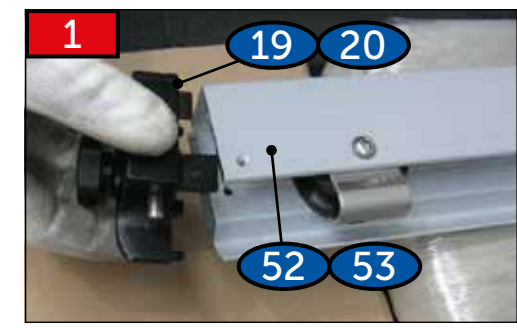
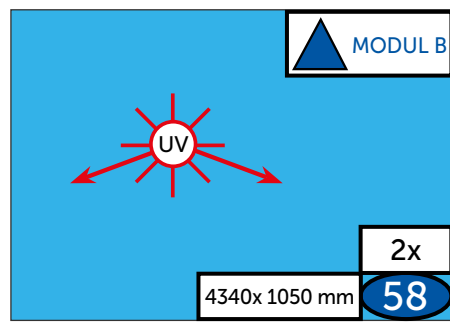
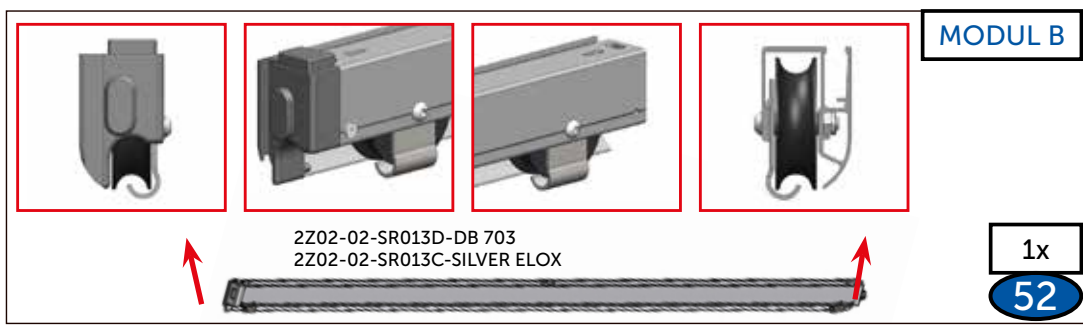
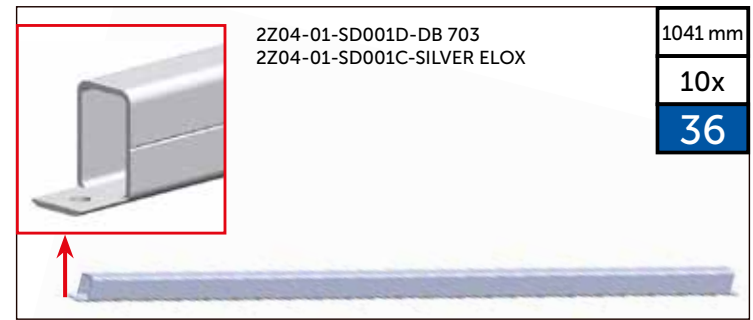
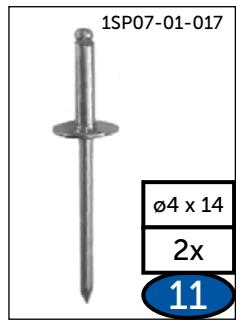
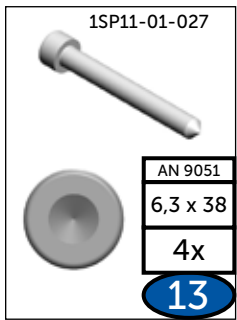
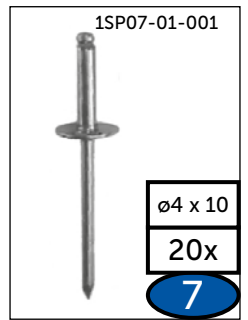
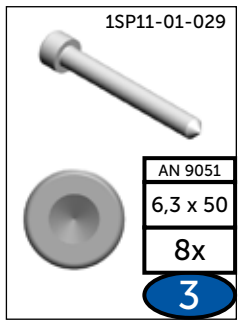
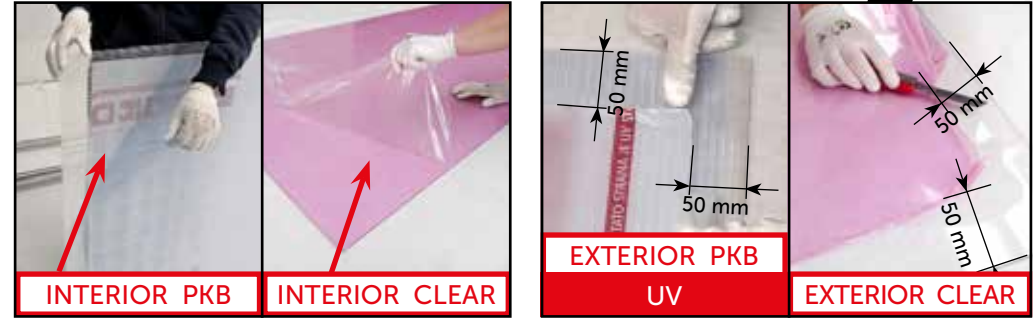
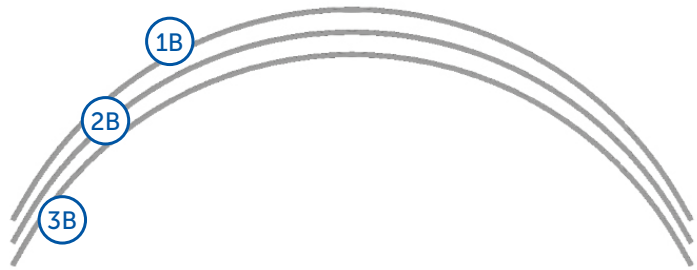


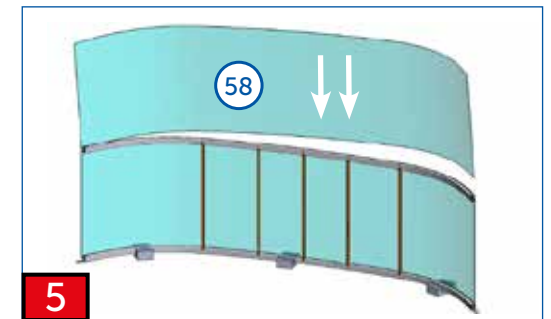
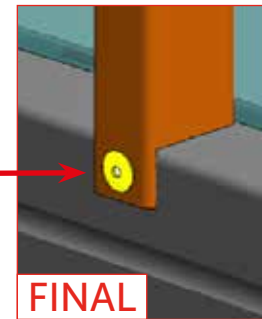
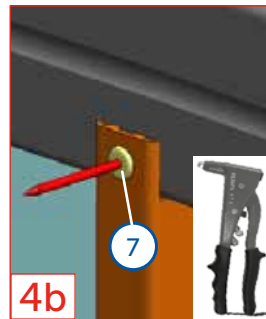
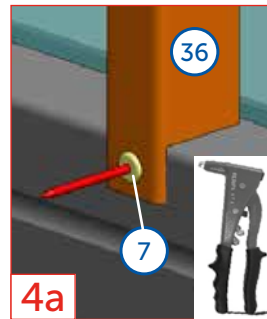
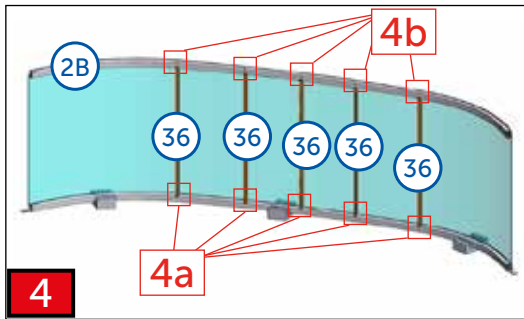
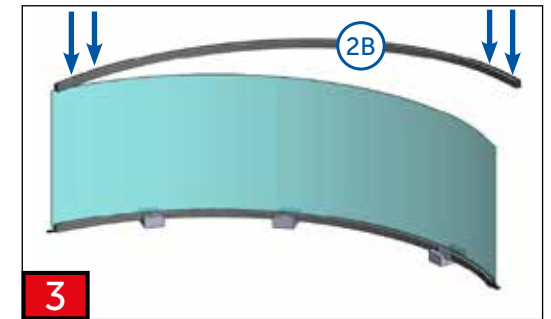
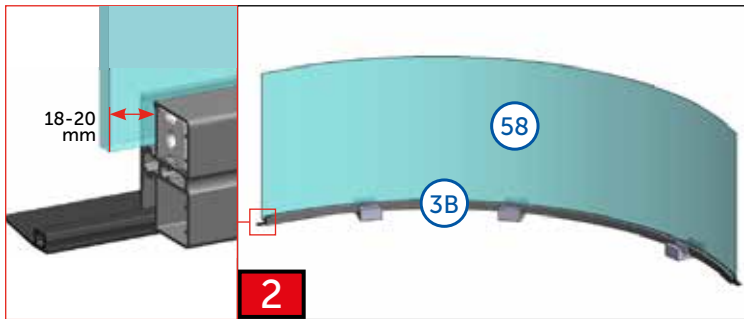
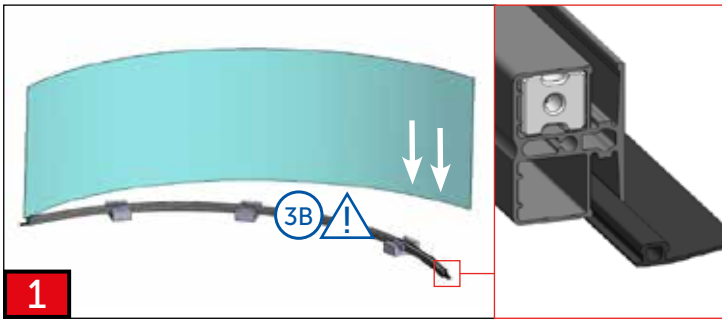
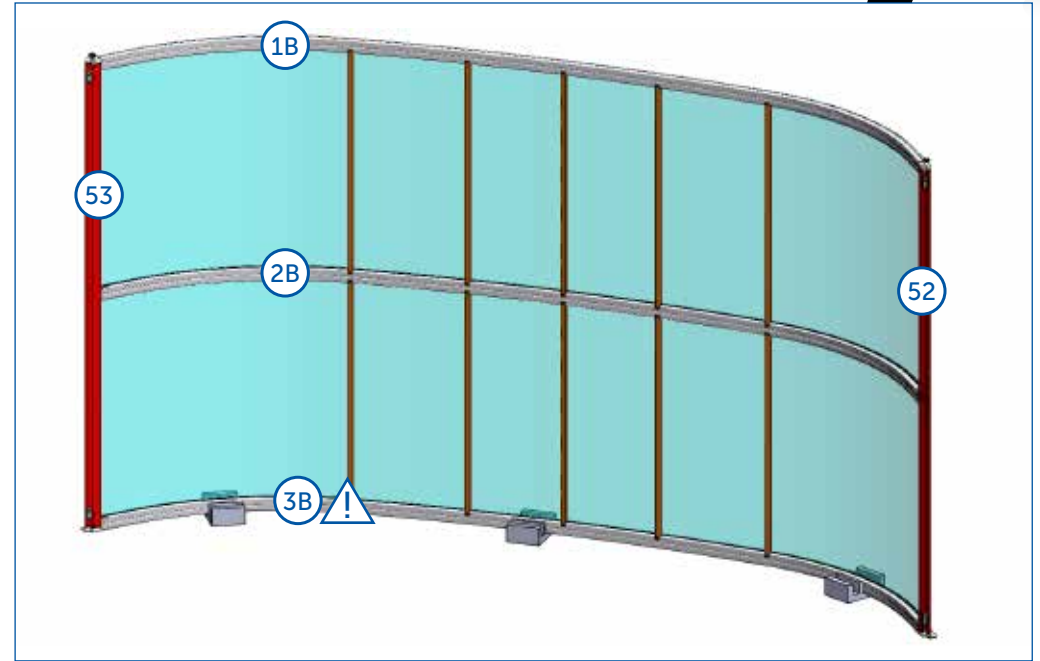
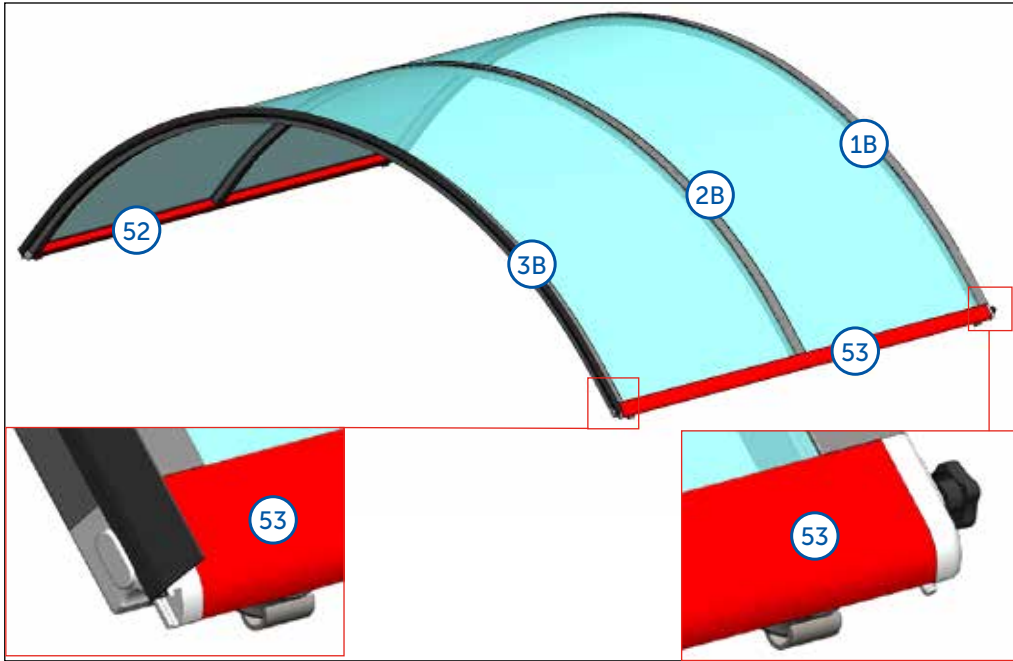


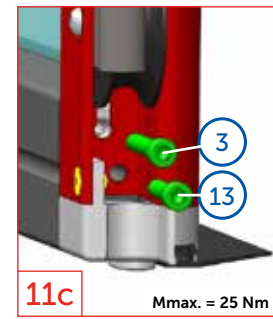
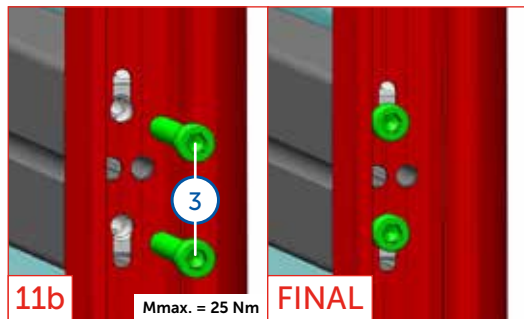
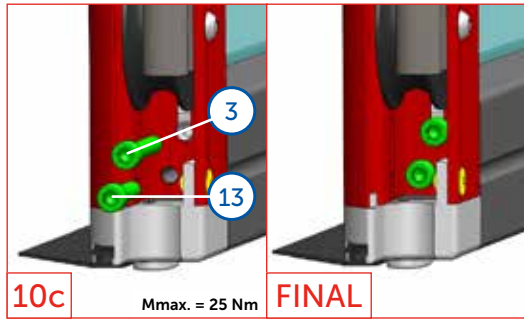
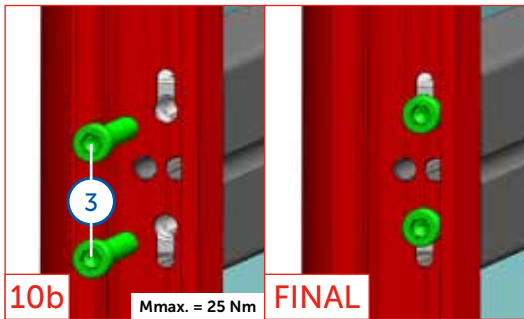
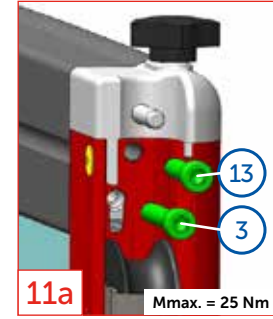
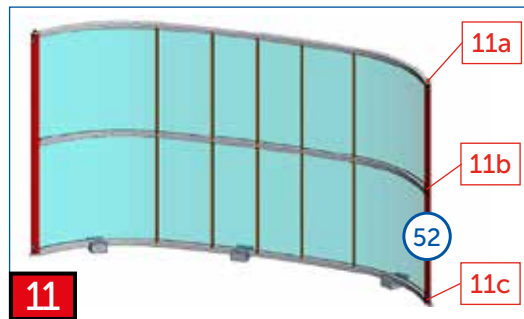
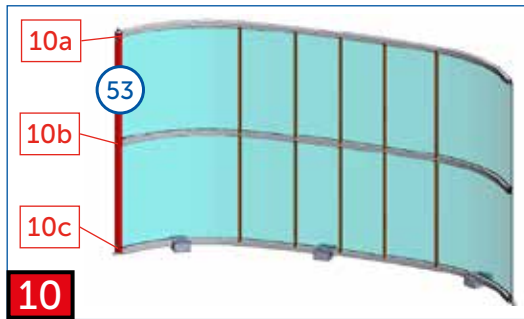
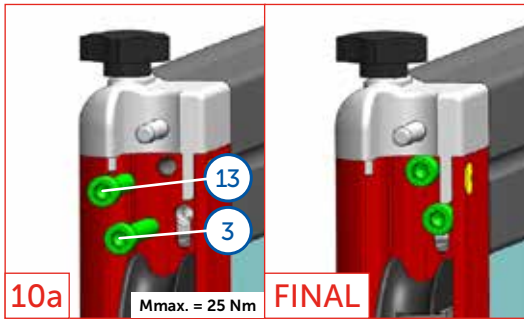
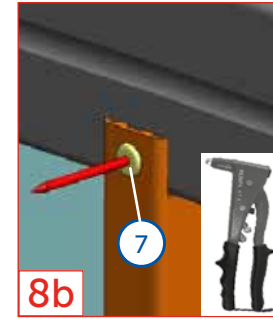
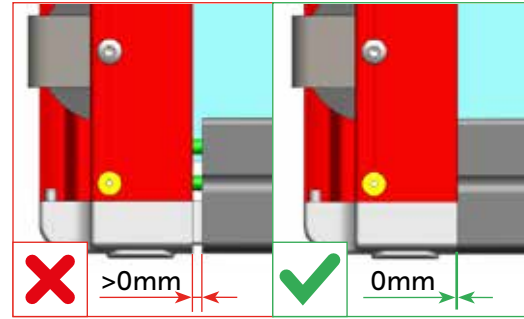
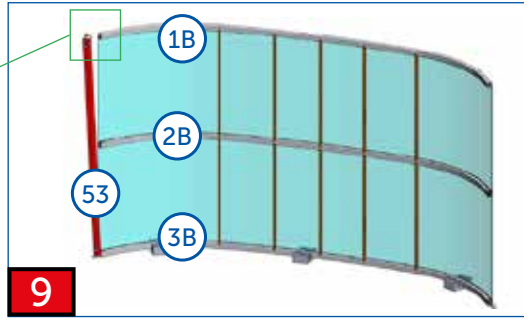
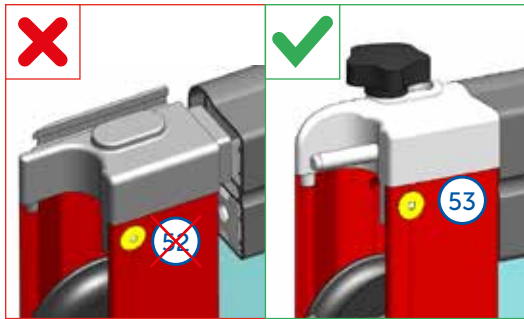
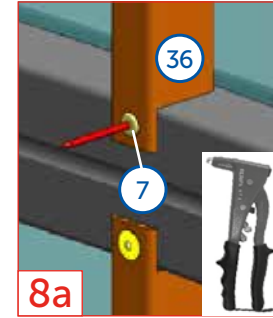
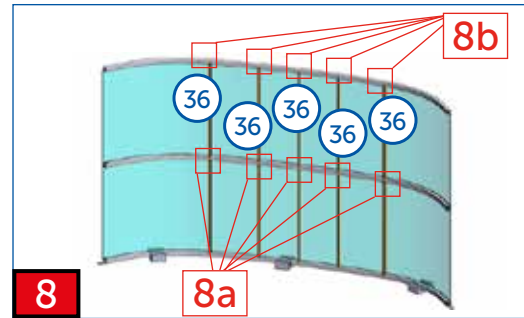
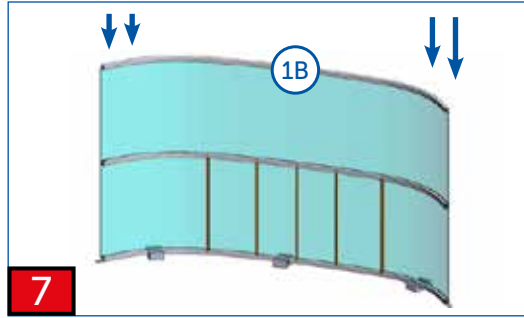
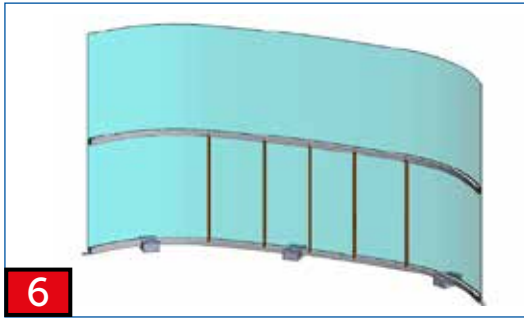


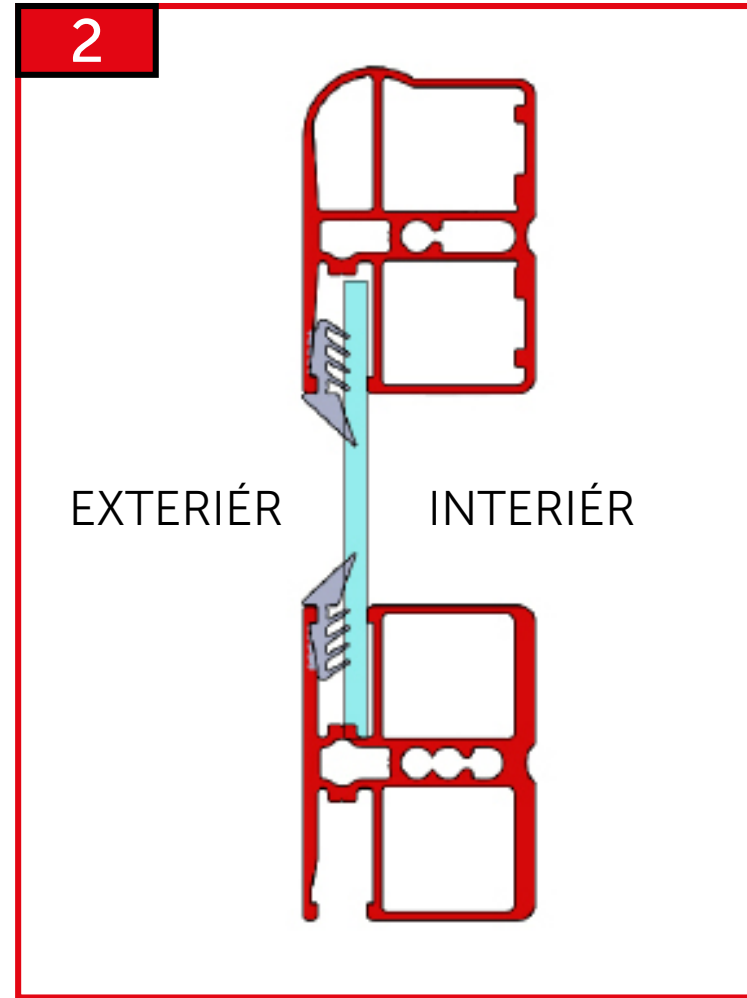
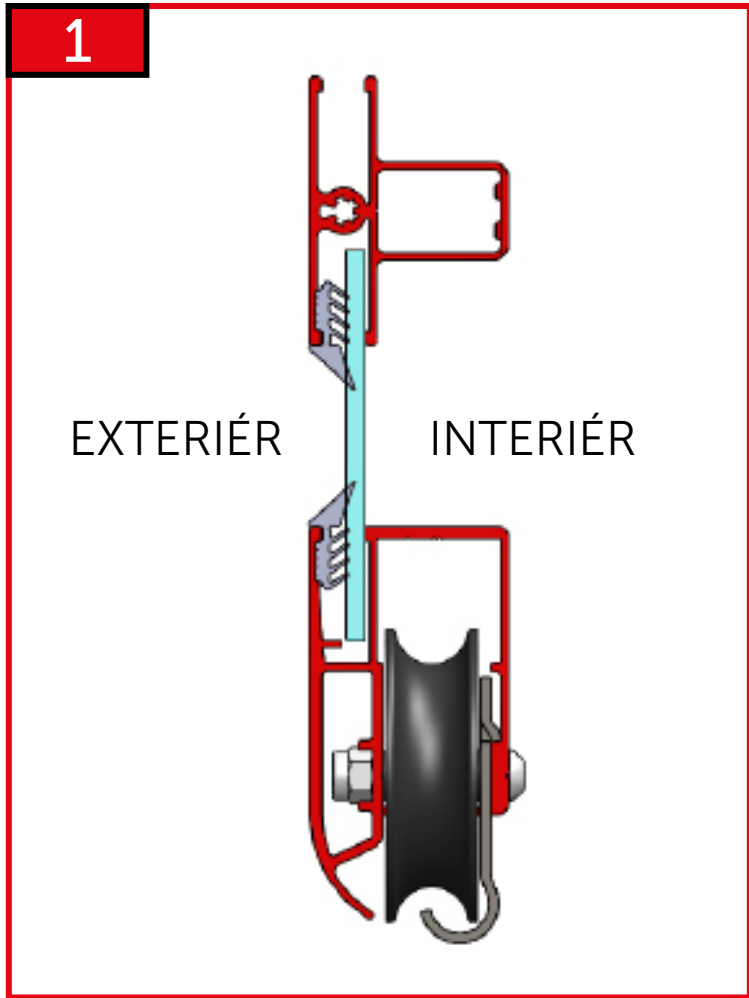


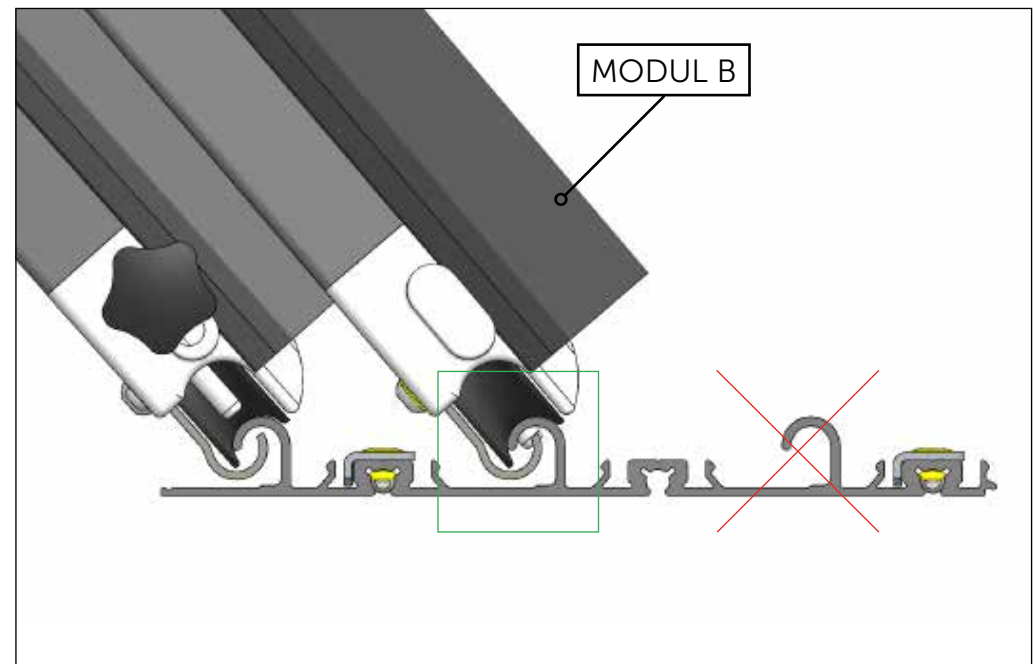
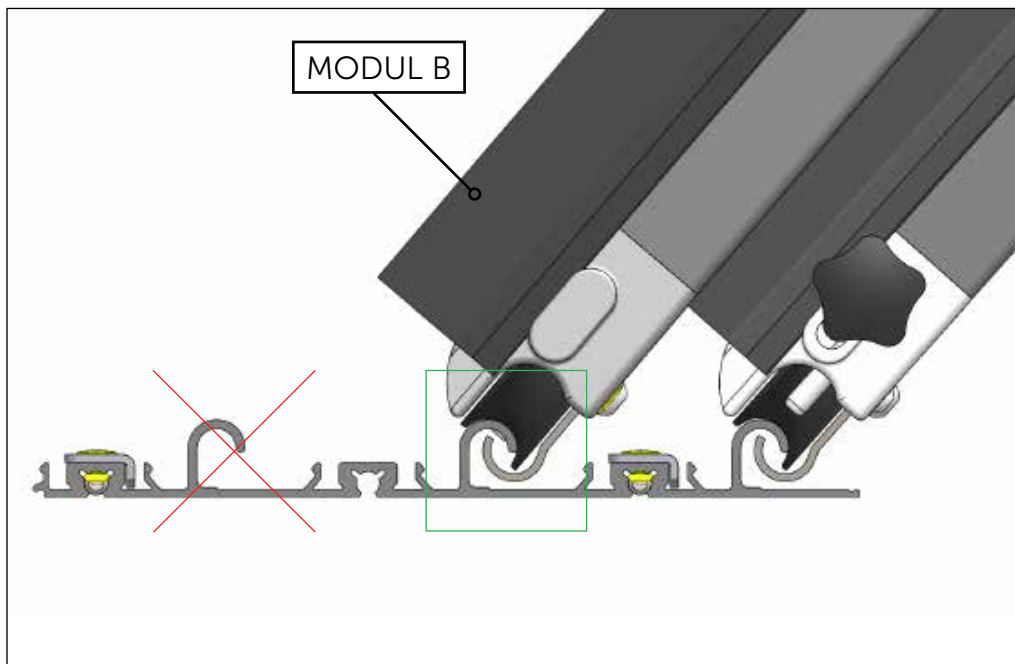
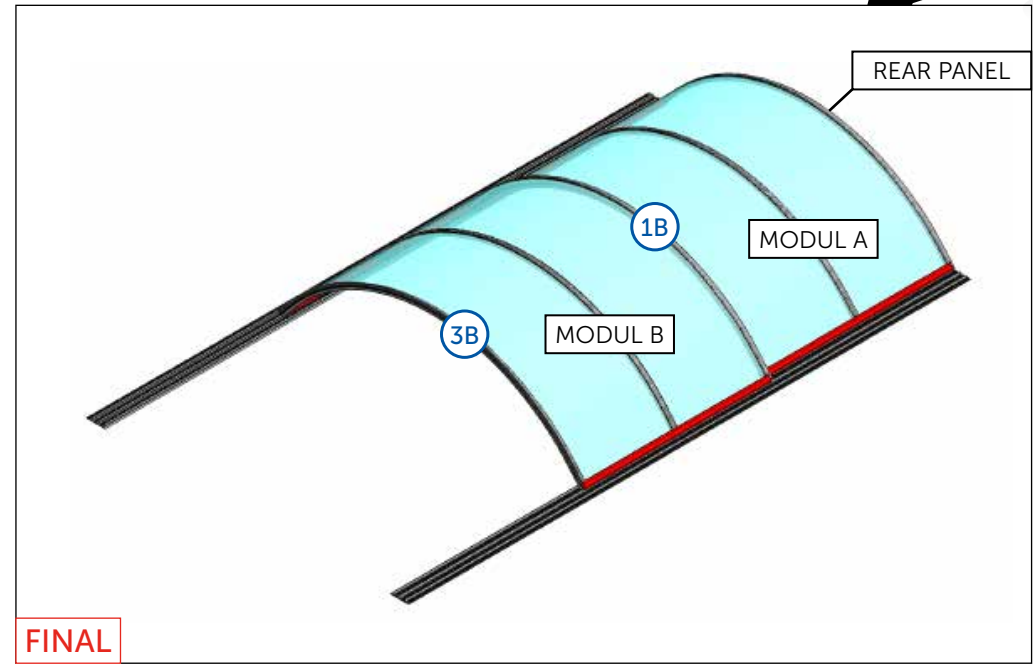
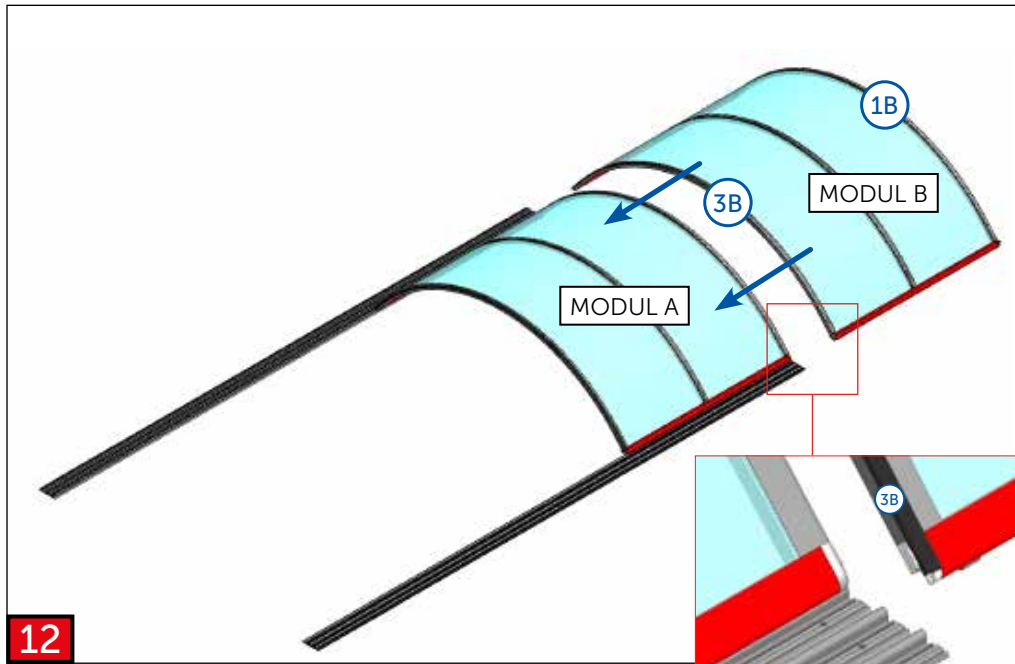














VARIANT 1

DOOR LEFT

PAGE 47-52

PAGE 26-30

VARIANT 2

DOOR RIGHT

PAGE 53-59

PAGE 31-35

VARIANT 3

DOOR RIGHT

PAGE 53-59

PAGE 36-40

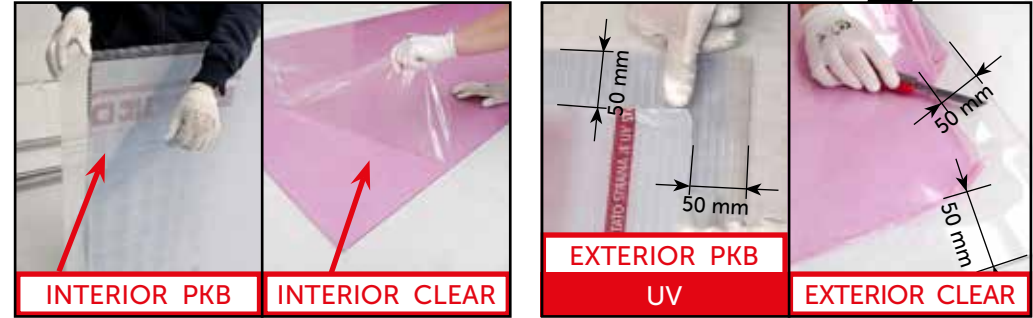
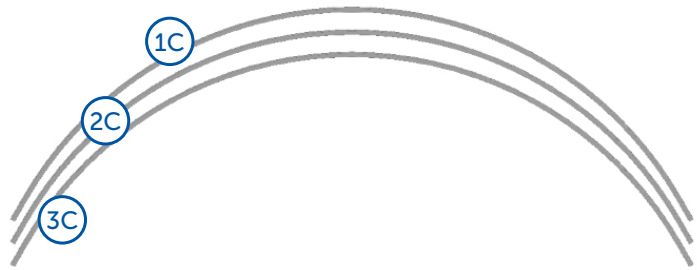
VARIANT 4

DOOR LEFT

PAGE 47-52

PAGE 41-45





1SP11-01-029

AN 9051  
6,3 x 50  
8x

**3**

1SP07-01-001

ø4 x 10  
16x

**7**

1SP11-01-027

AN 9051  
6,3 x 38  
4x

**13**

1NA03-01-050

**17**

1SP07-01-017

ø4 x 14  
2x

**11**

2Z04-01-SD001D-DB 703  
2Z04-01-SD001C-SILVER ELOX

1041 mm  
6x  
**36**

**MODUL C**

2Z02-02-SR015D-DB 703  
2Z02-02-SR015C-SILVER ELOX

1x  
**50**

**MODUL C**

2Z02-02-SR014D-DB 703  
2Z02-02-SR014C-SILVER ELOX

1x  
**51**

UV

**MODUL C**

3x  
2267 x 1050 mm  
**59**

1SZ02-01-011

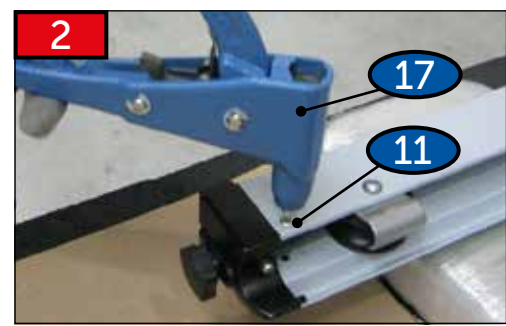
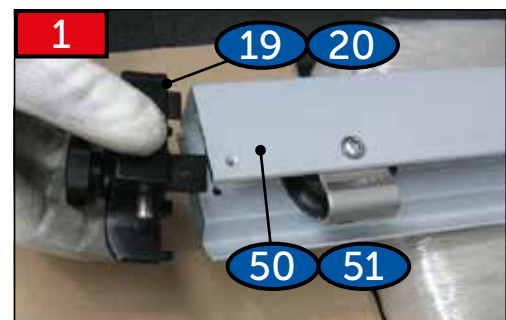
1x  
**19**

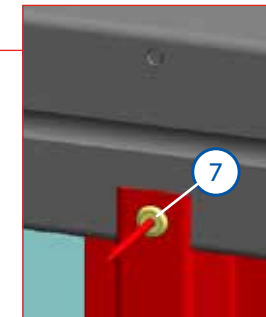
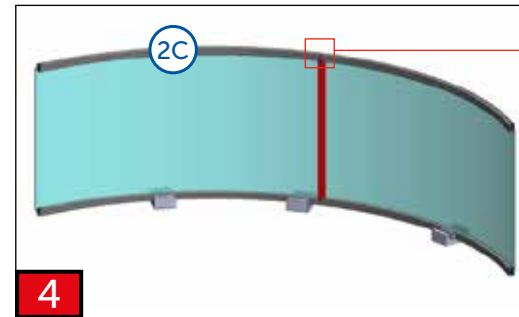
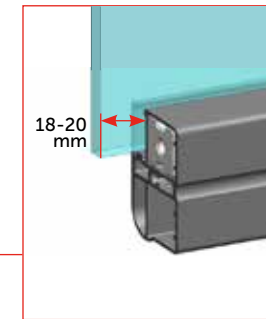
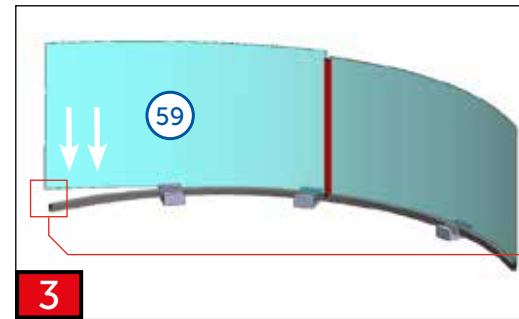
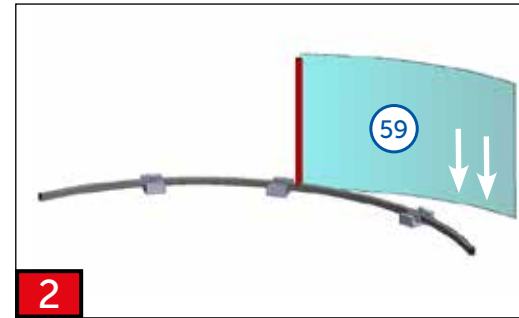
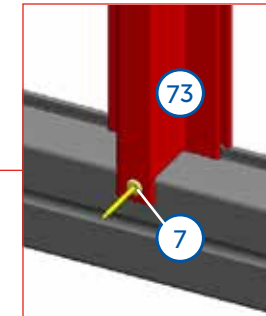
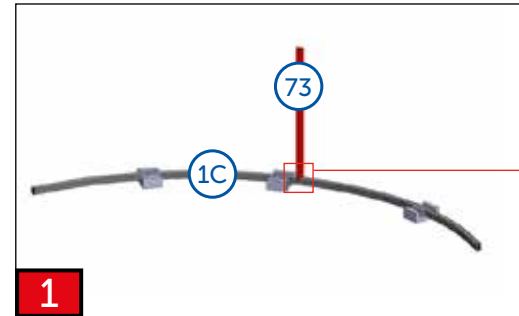
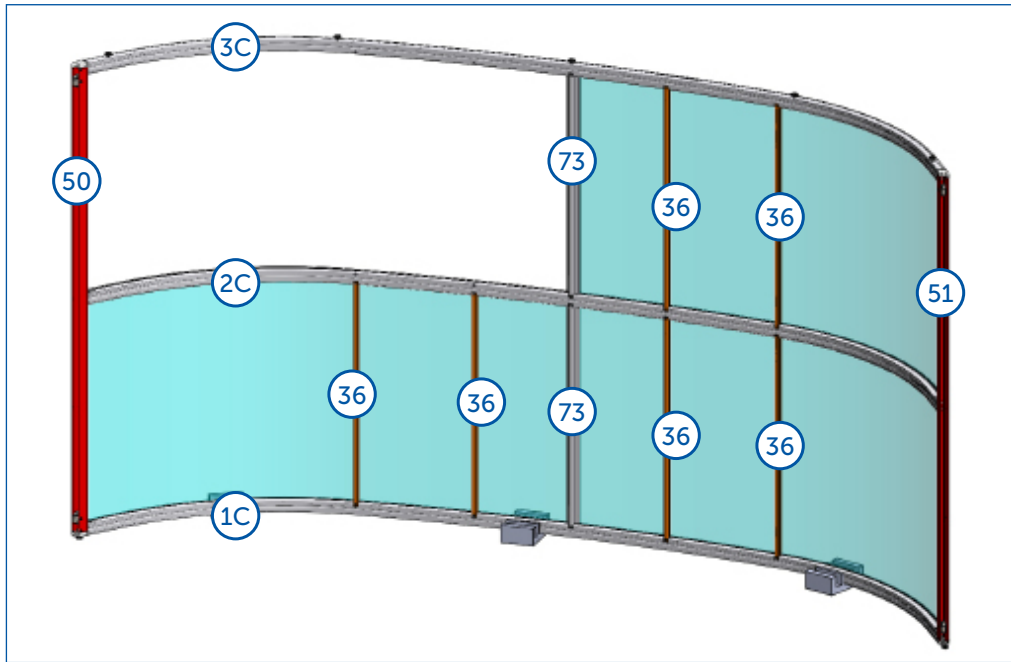
1SZ02-01-009

1x  
**20**

2x  
**73**

2Z05-01-SD002D-DB 703  
2Z05-01-SD002C-SILVER ELOX





**5**

**6**

**7**

**8**

**9a**  $M_{max.} = 25 \text{ Nm}$

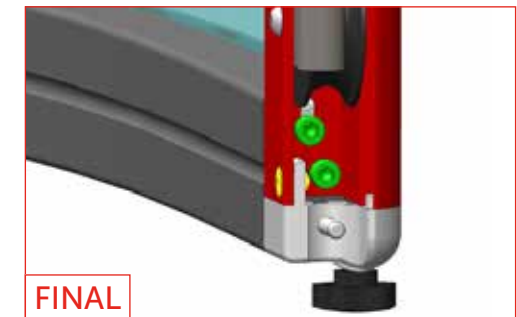
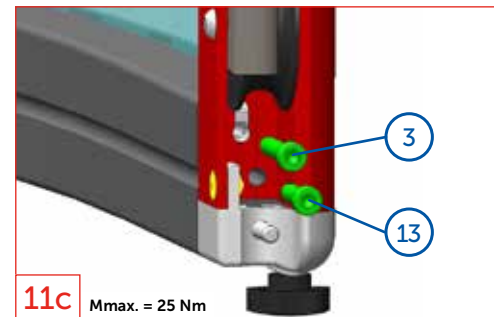
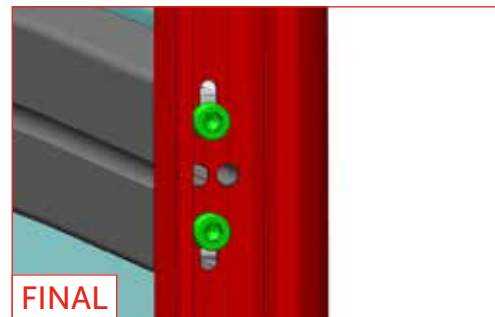
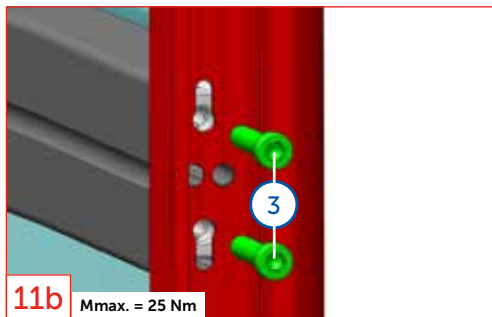
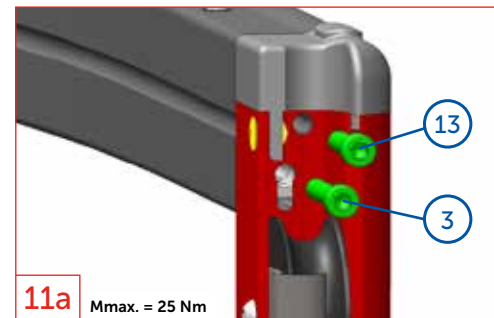
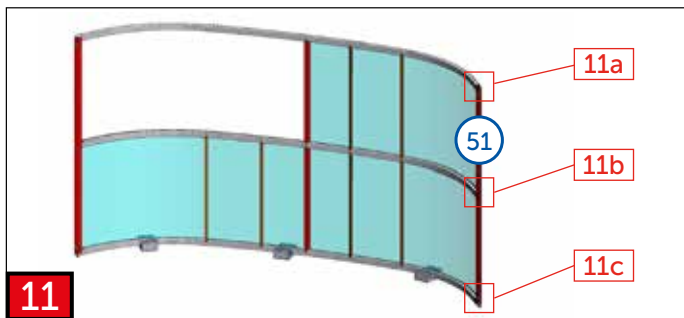
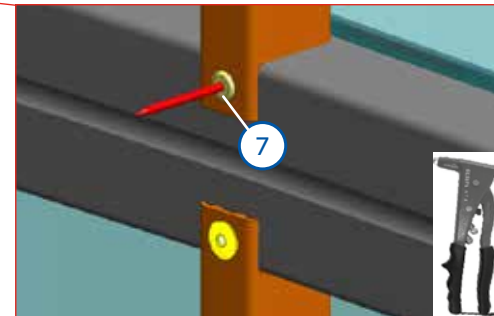
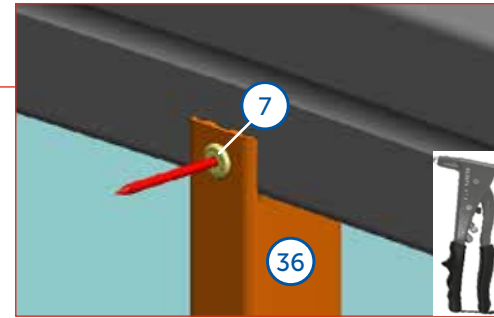
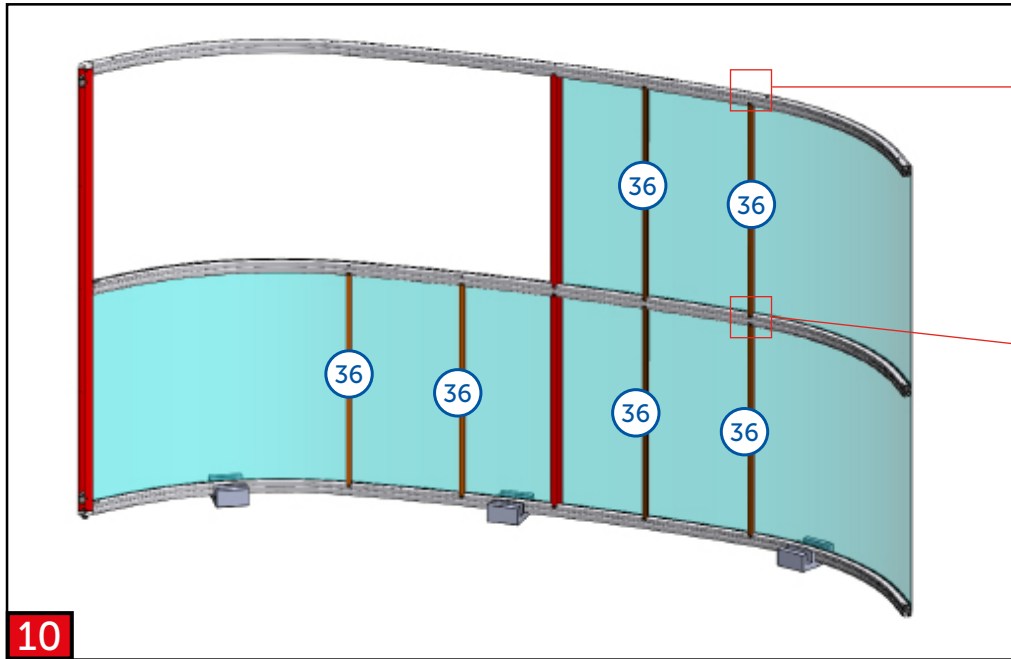
**9b**  $M_{max.} = 25 \text{ Nm}$

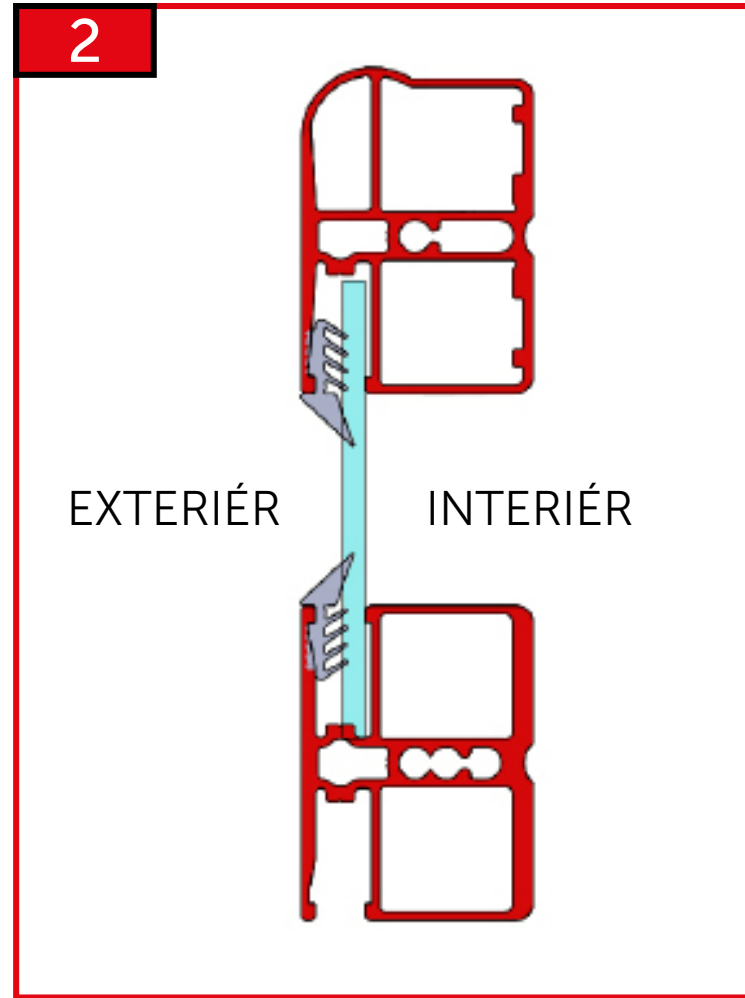
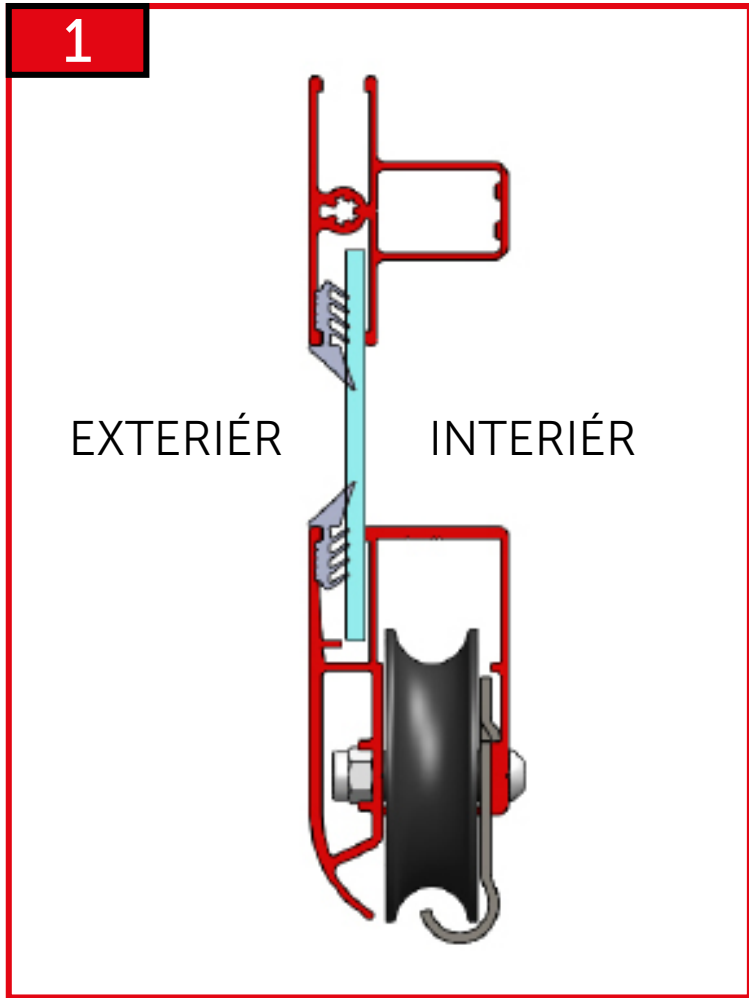
**9c**  $M_{max.} = 25 \text{ Nm}$

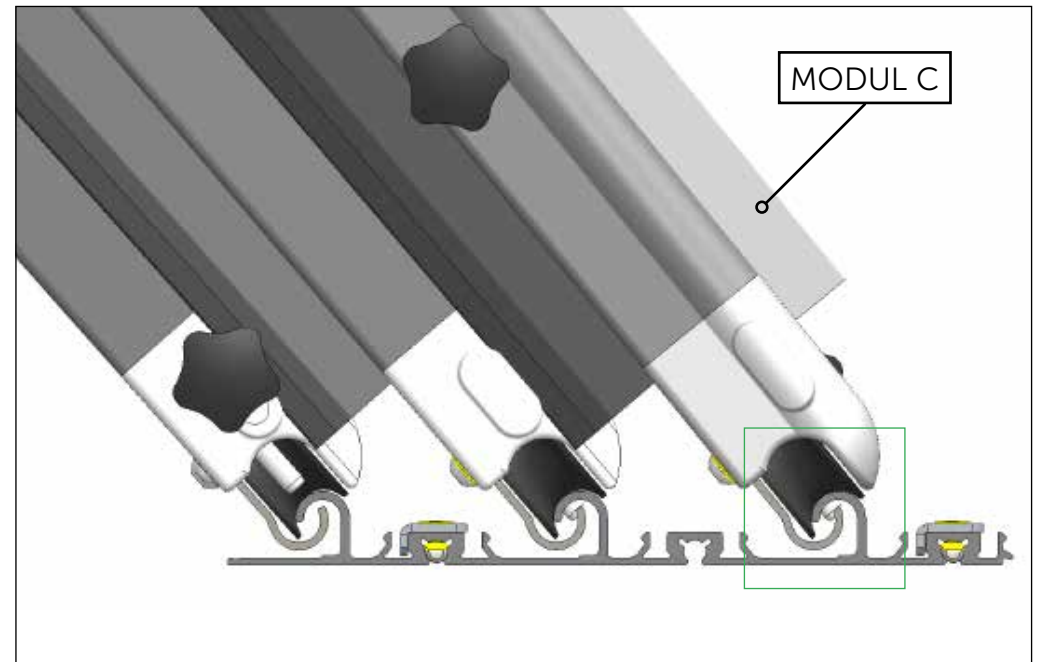
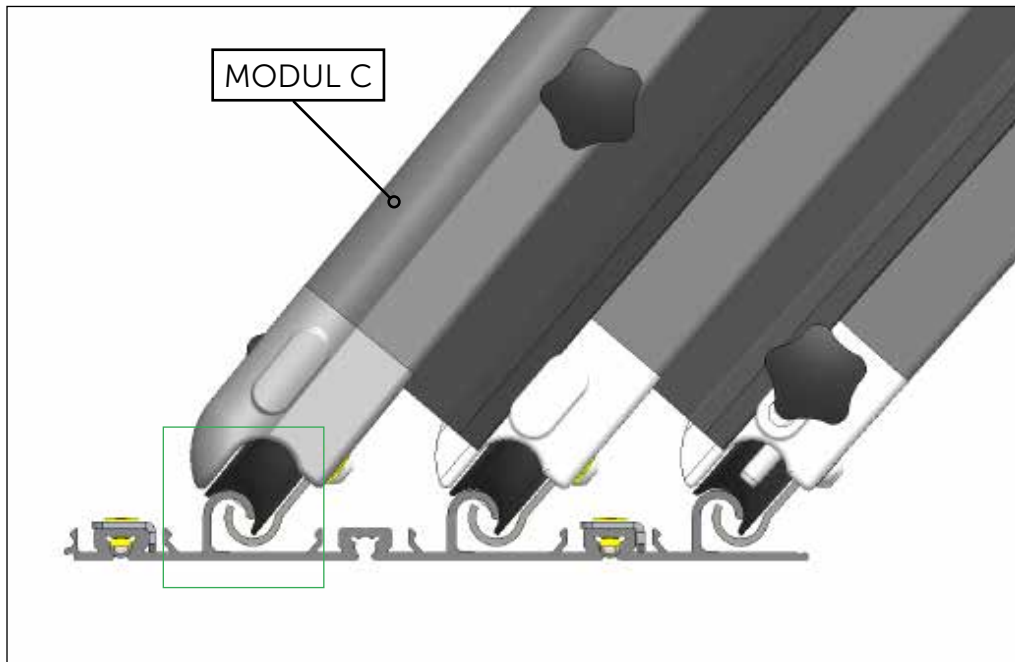
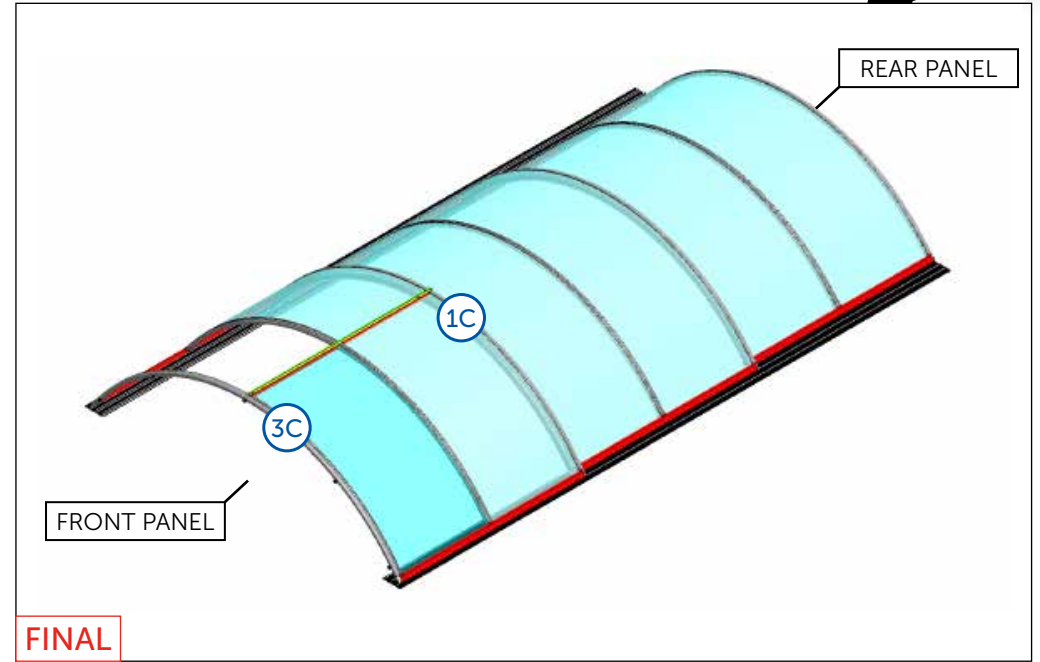
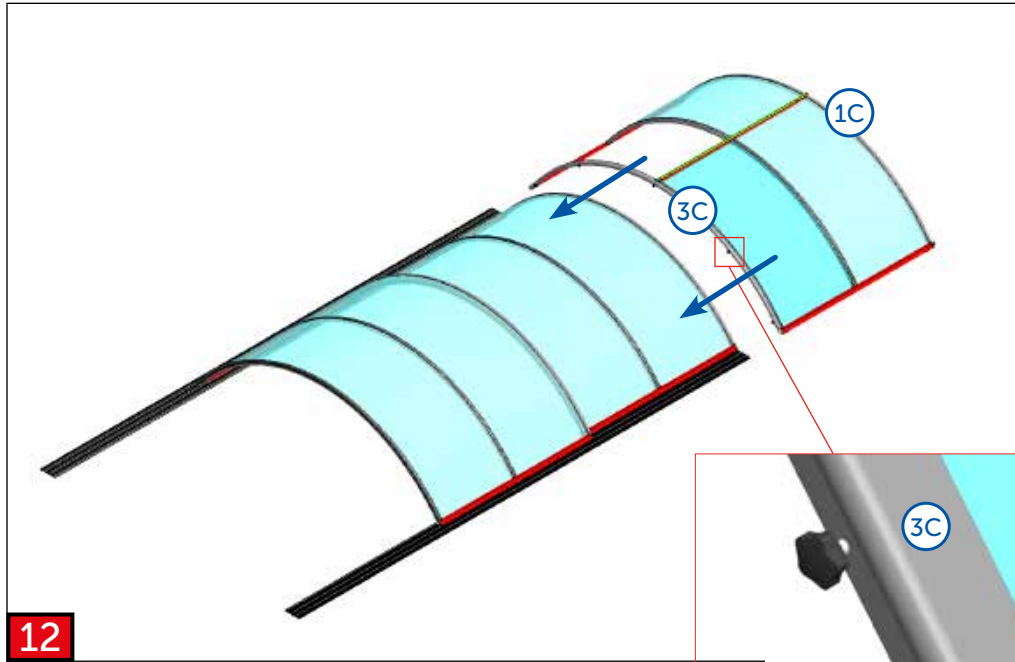
**FINAL**

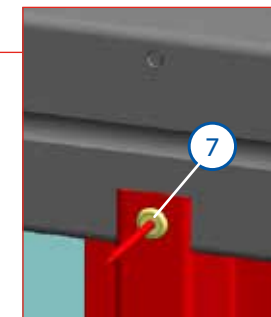
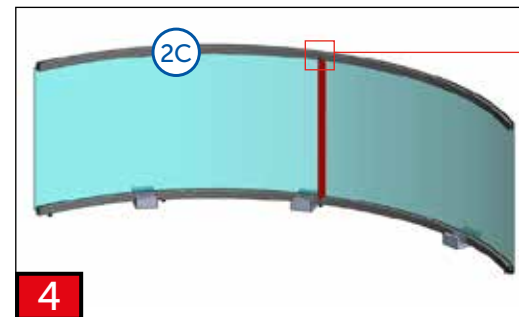
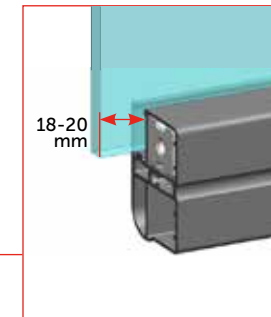
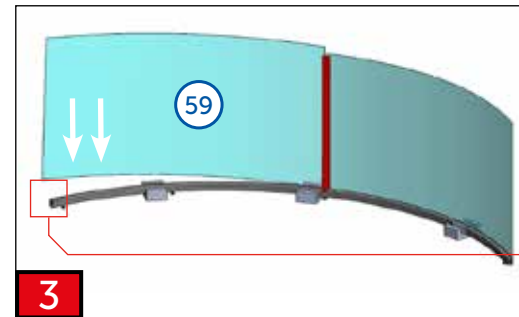
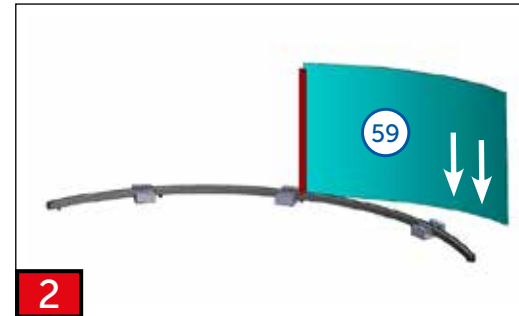
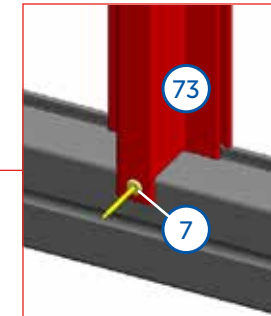
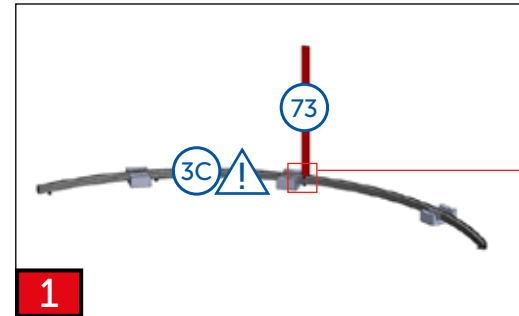
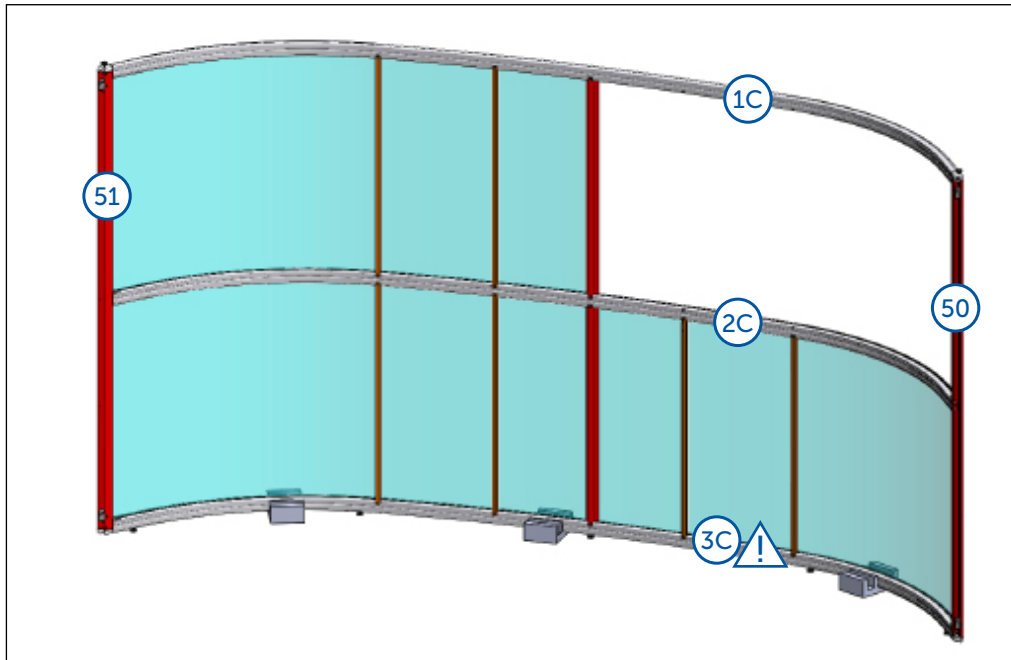
**FINAL**

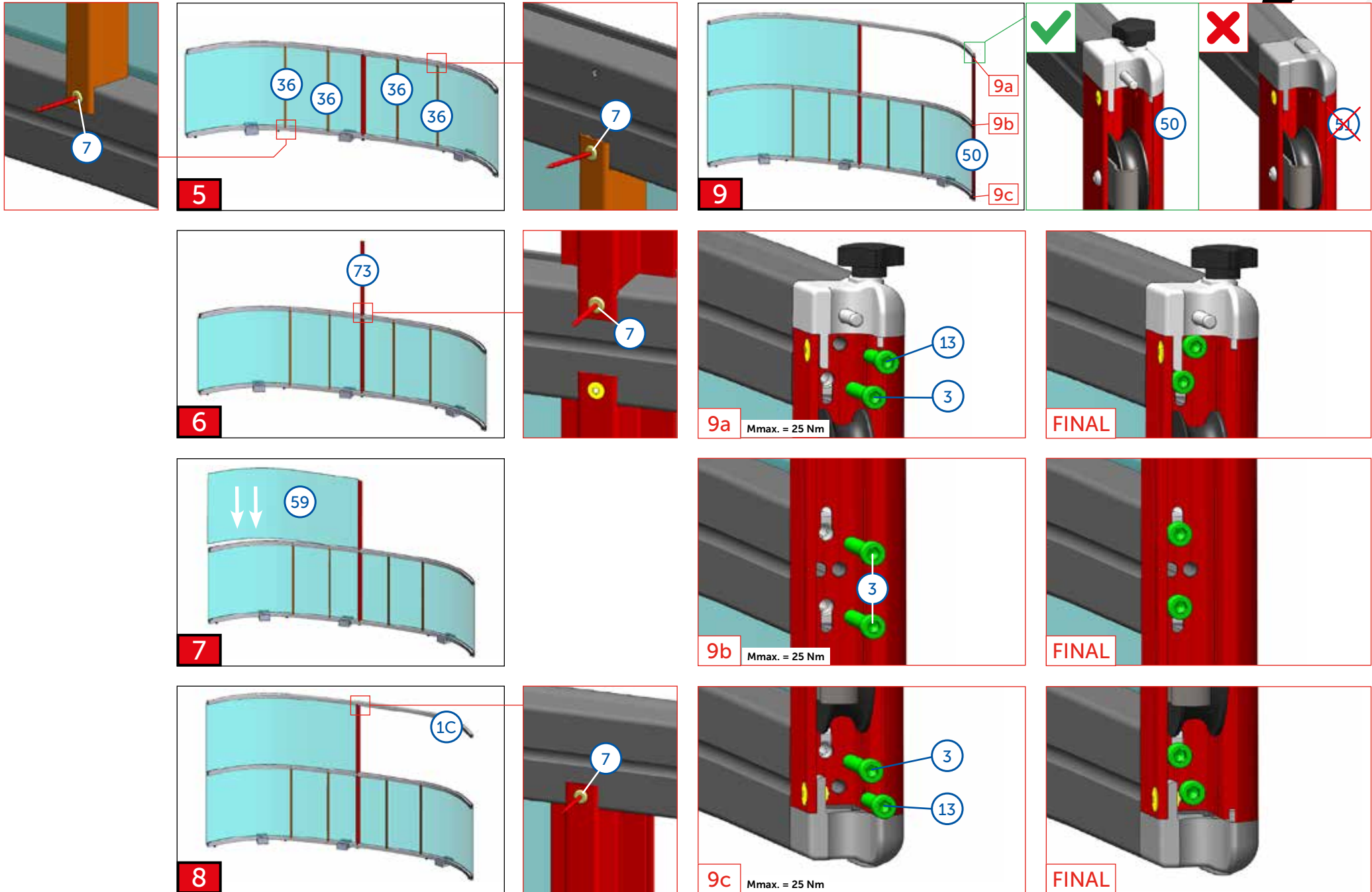
**FINAL**



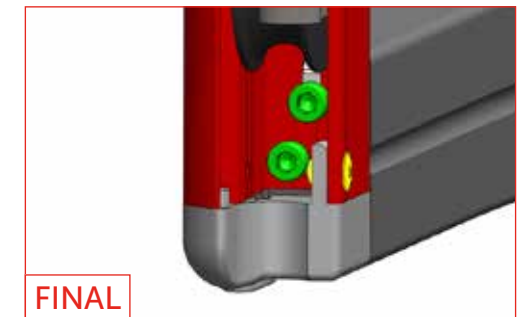
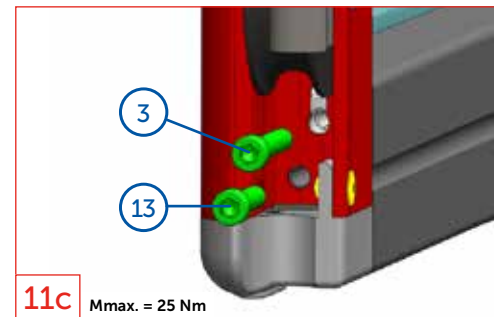
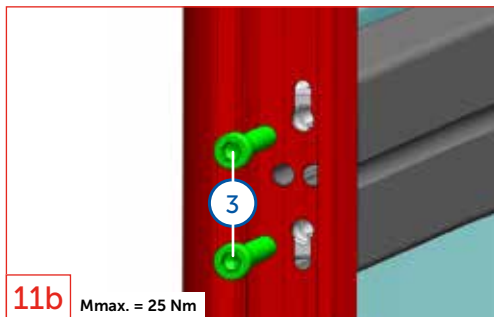
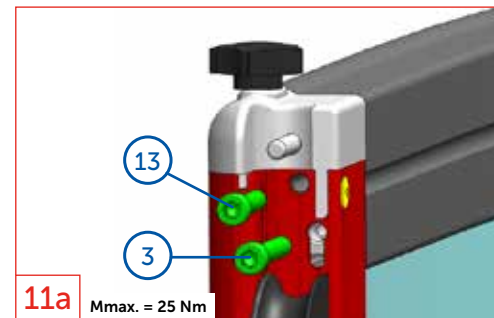
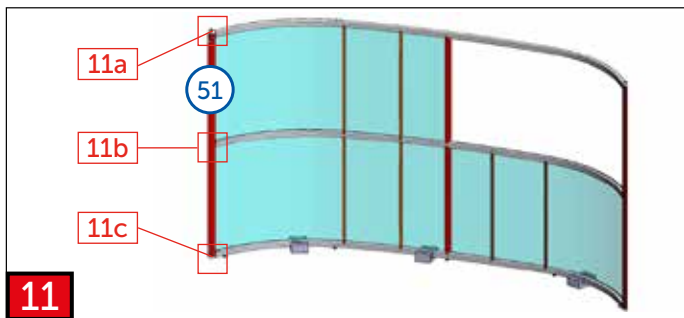
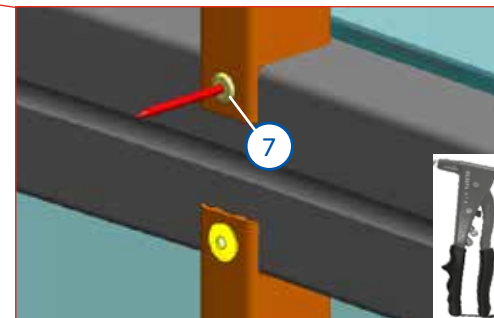
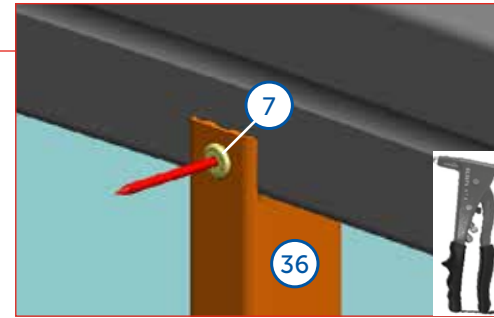
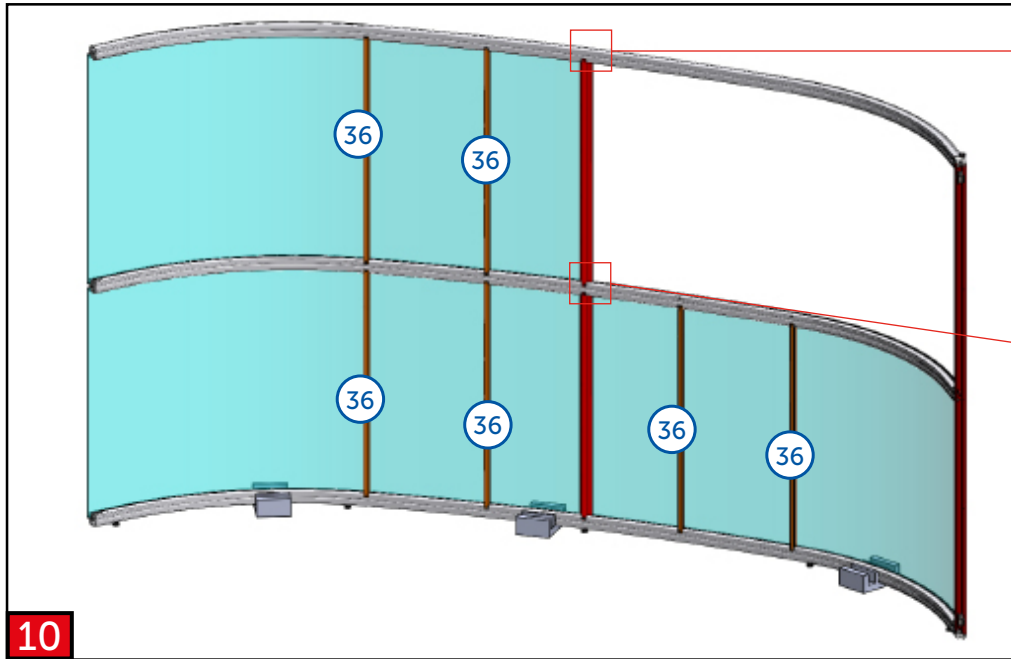


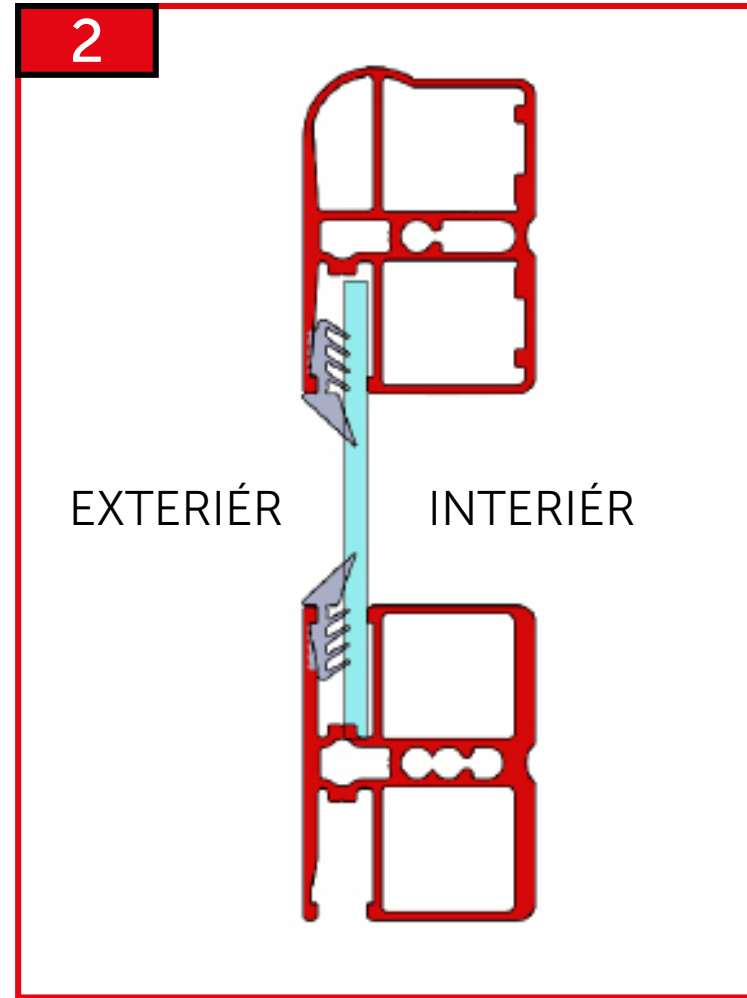
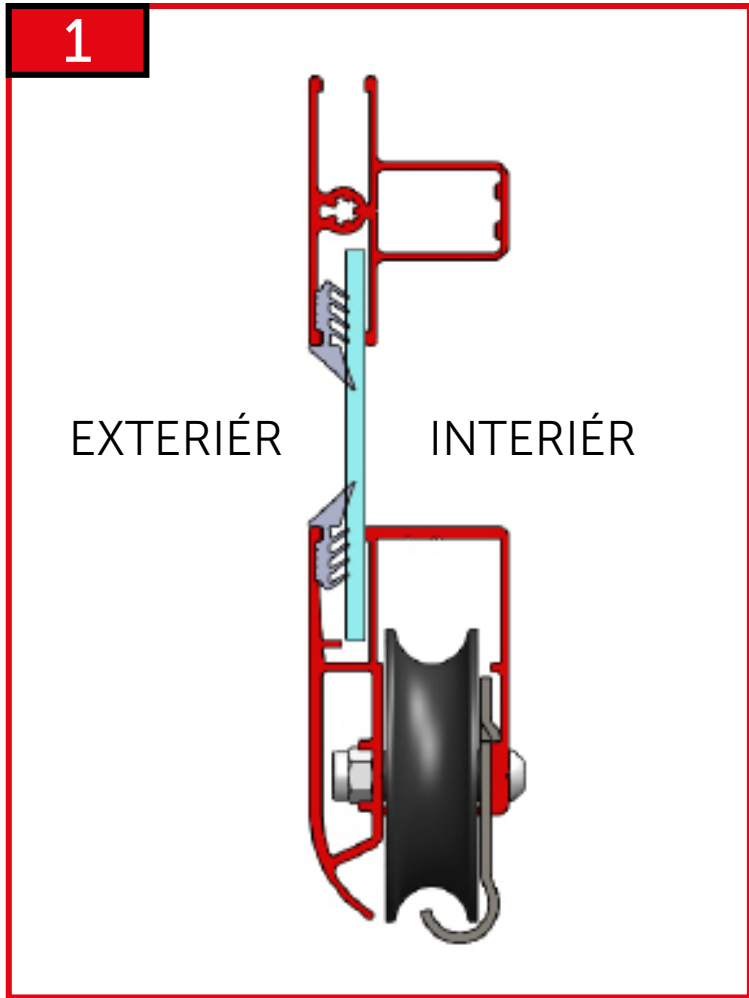


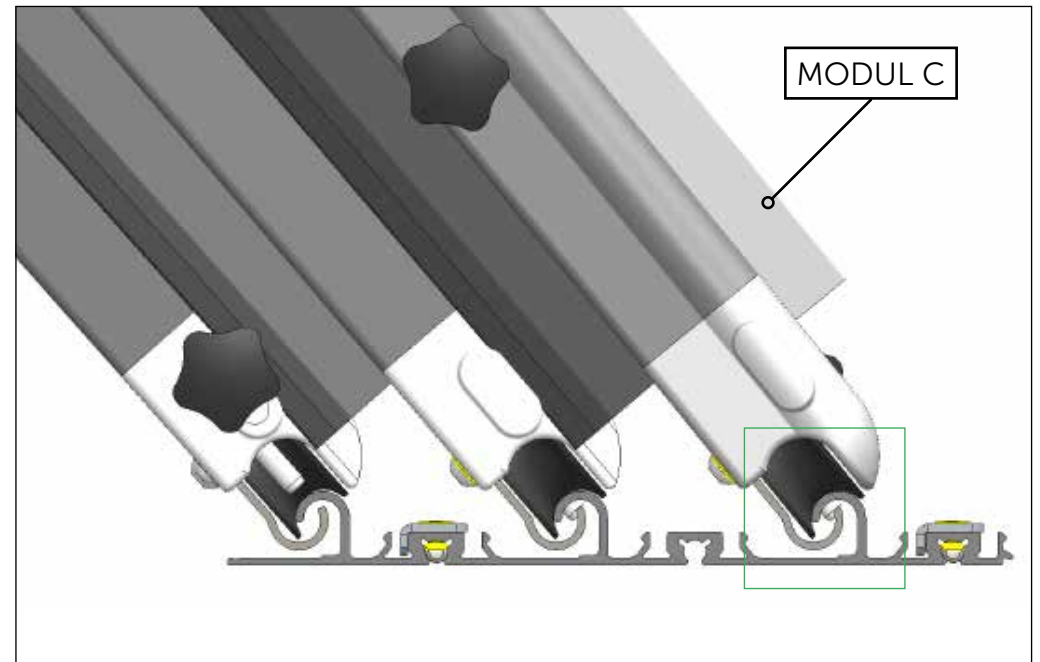
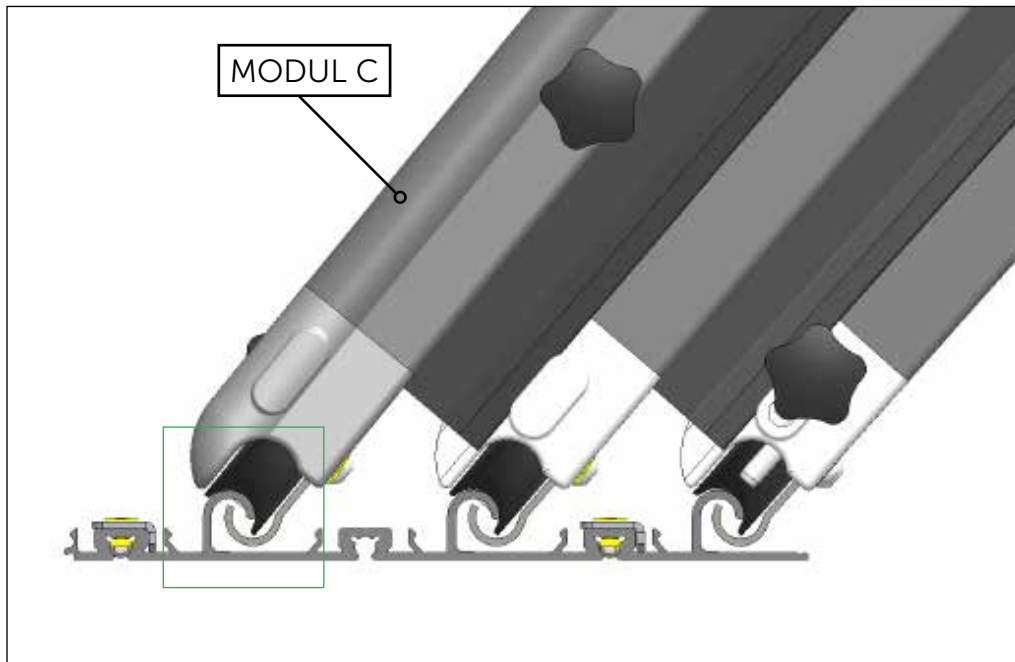
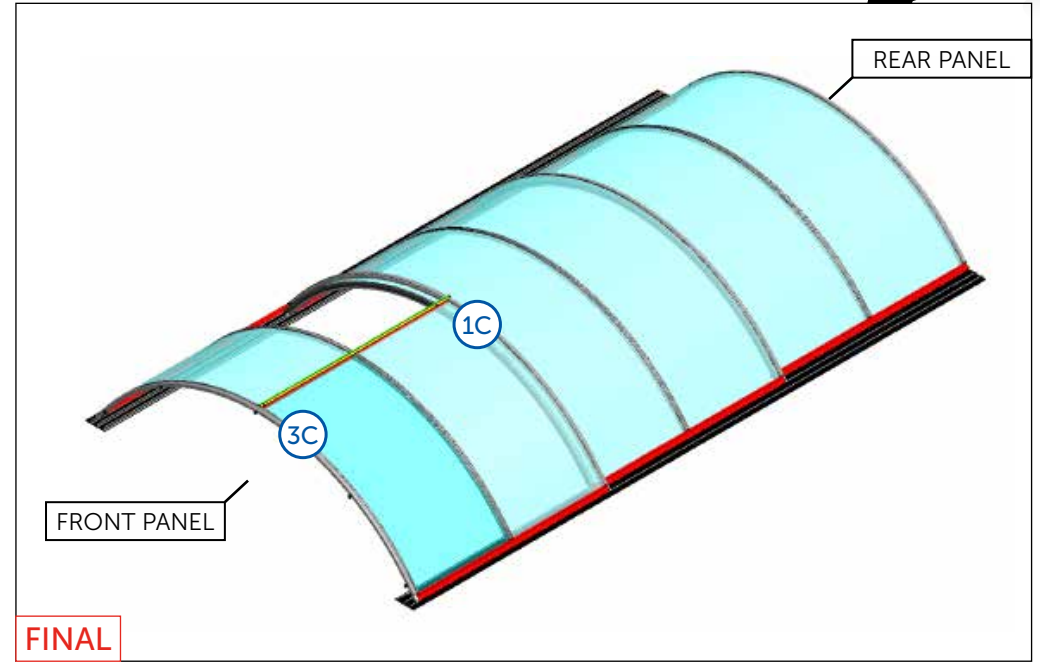
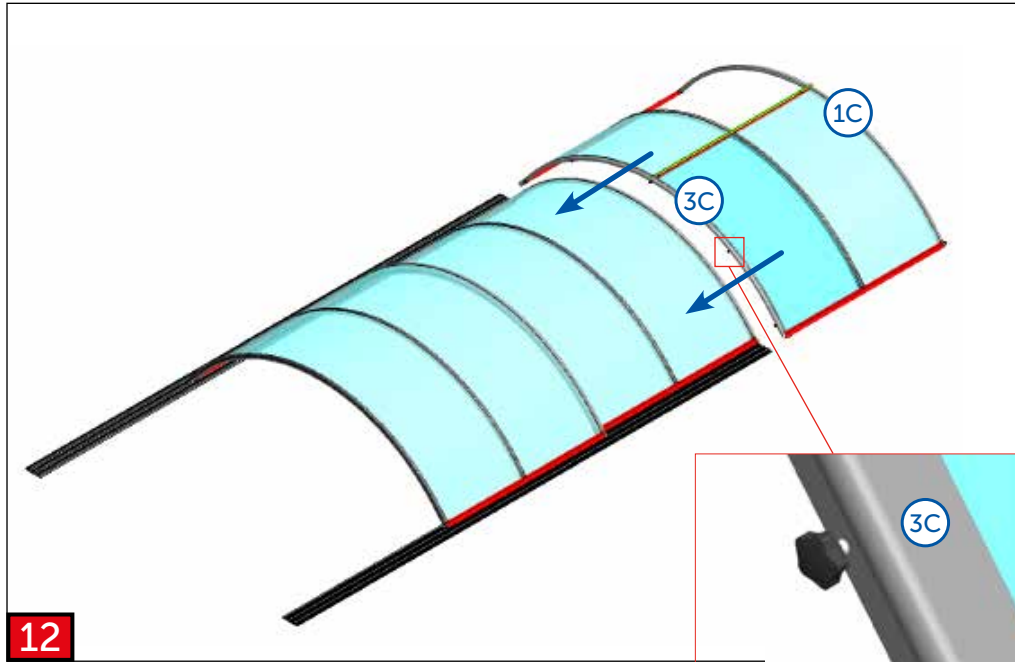


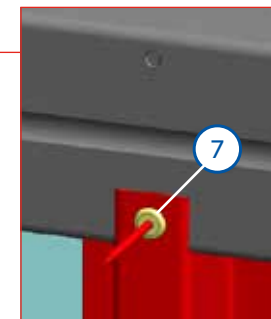
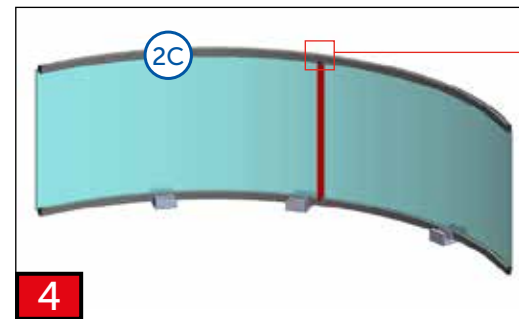
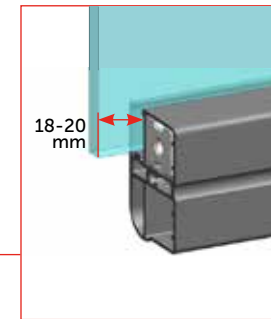
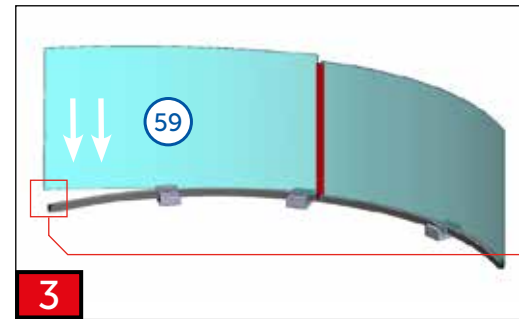
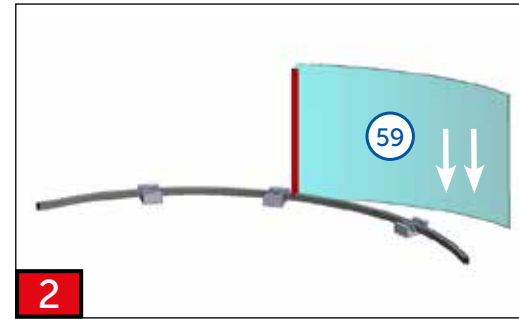
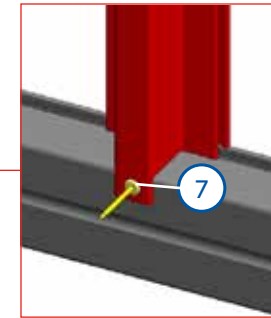
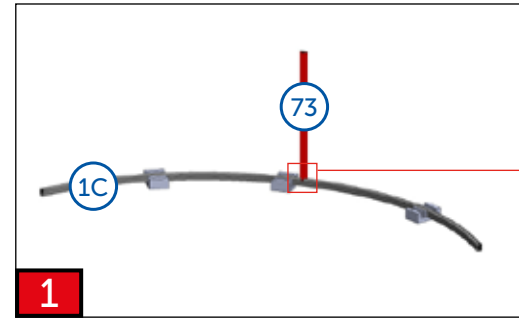
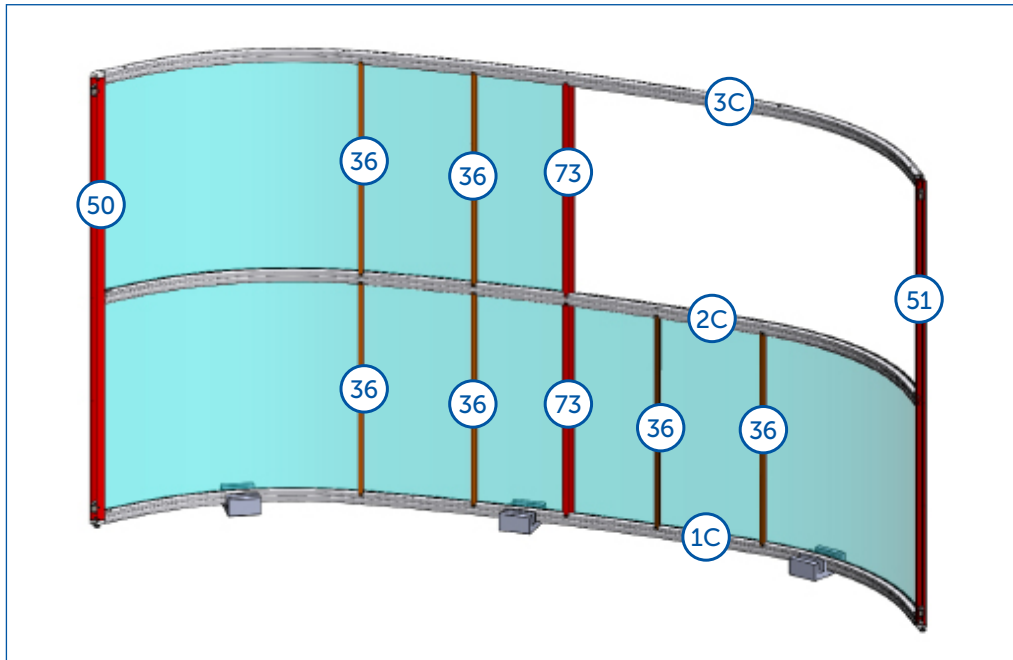


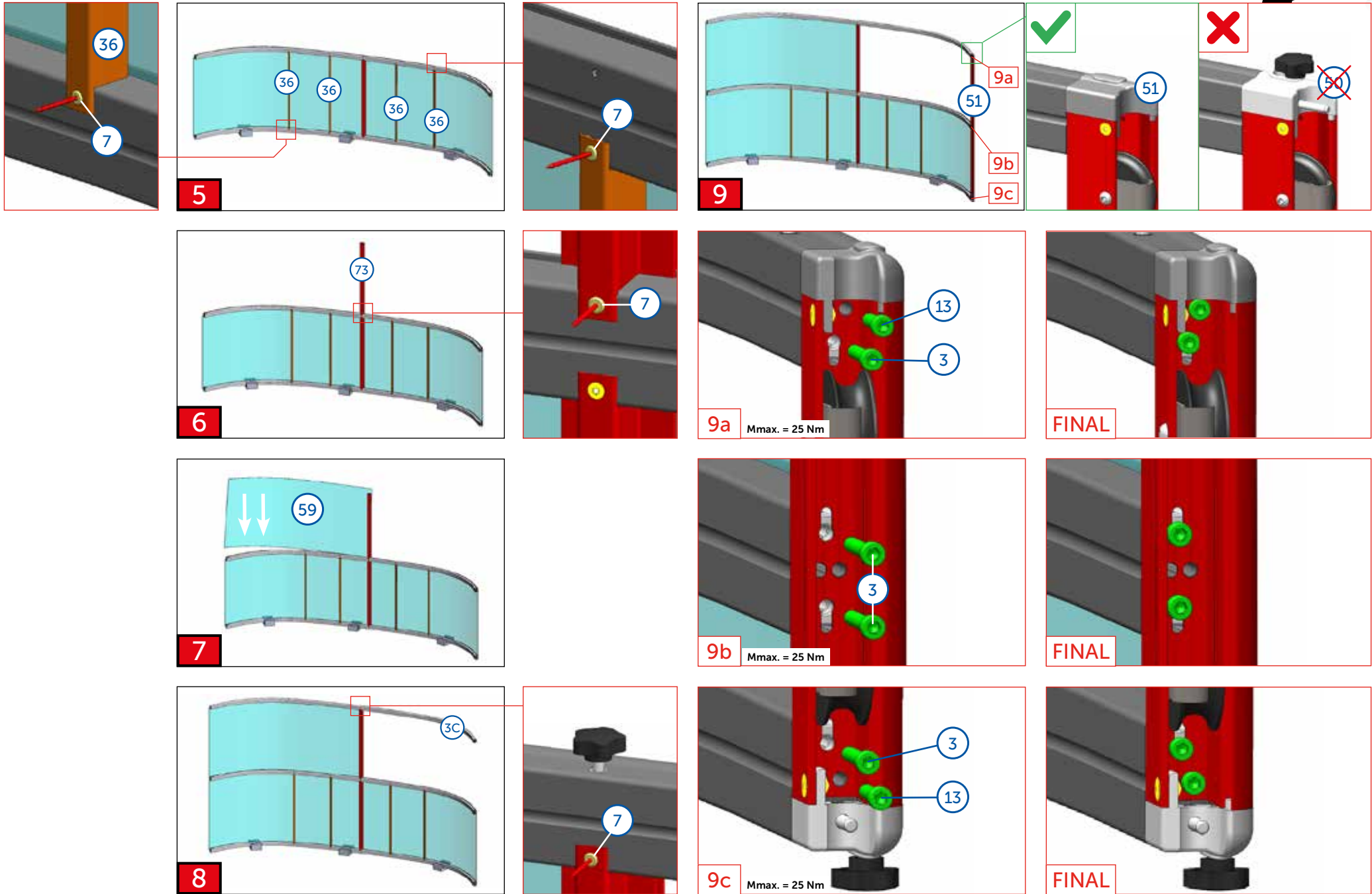


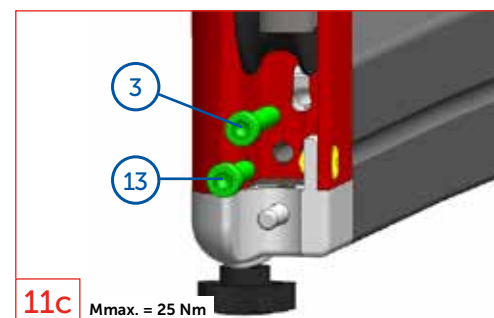
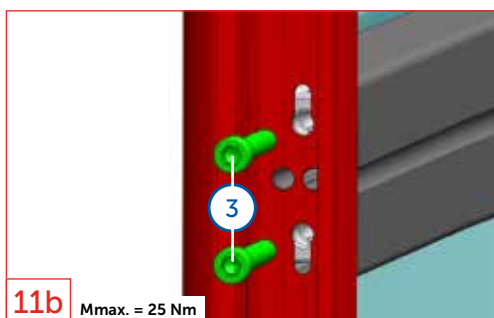
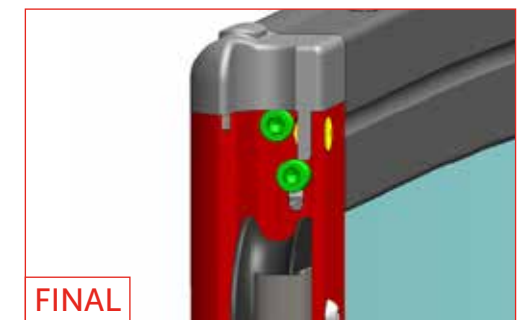
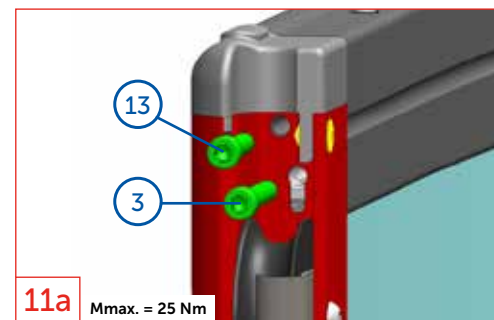
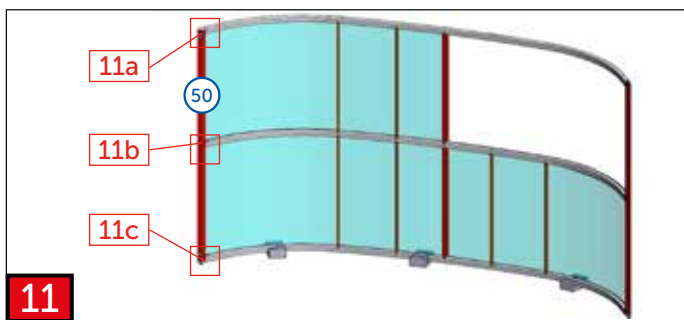
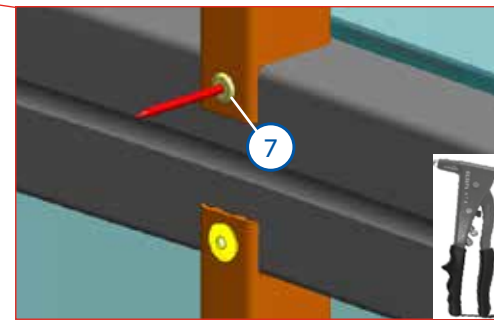
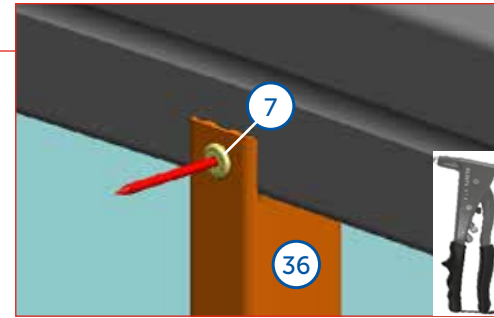
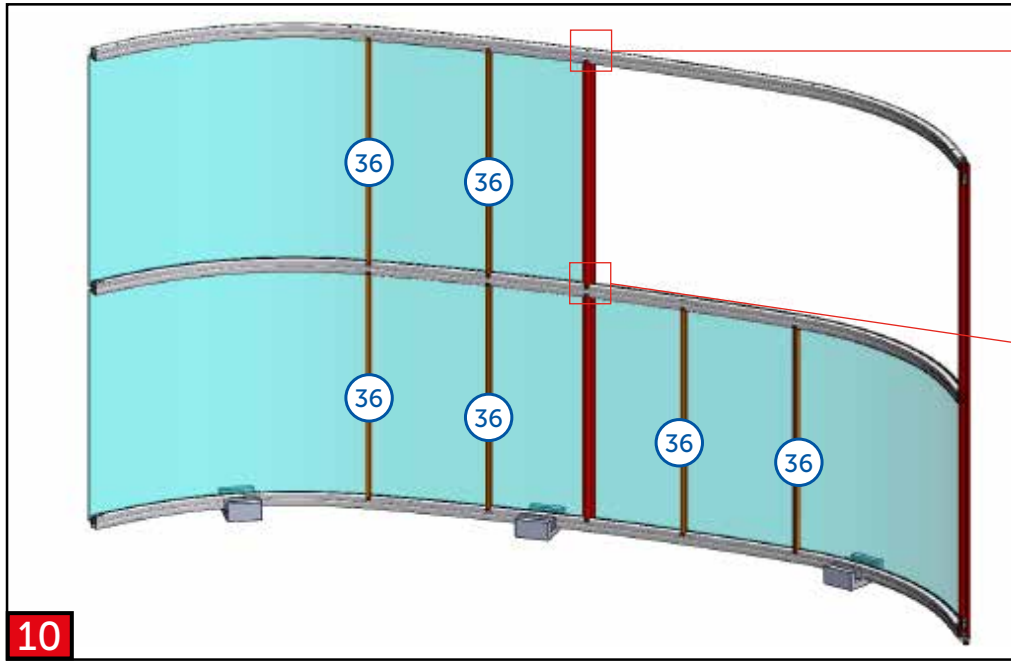


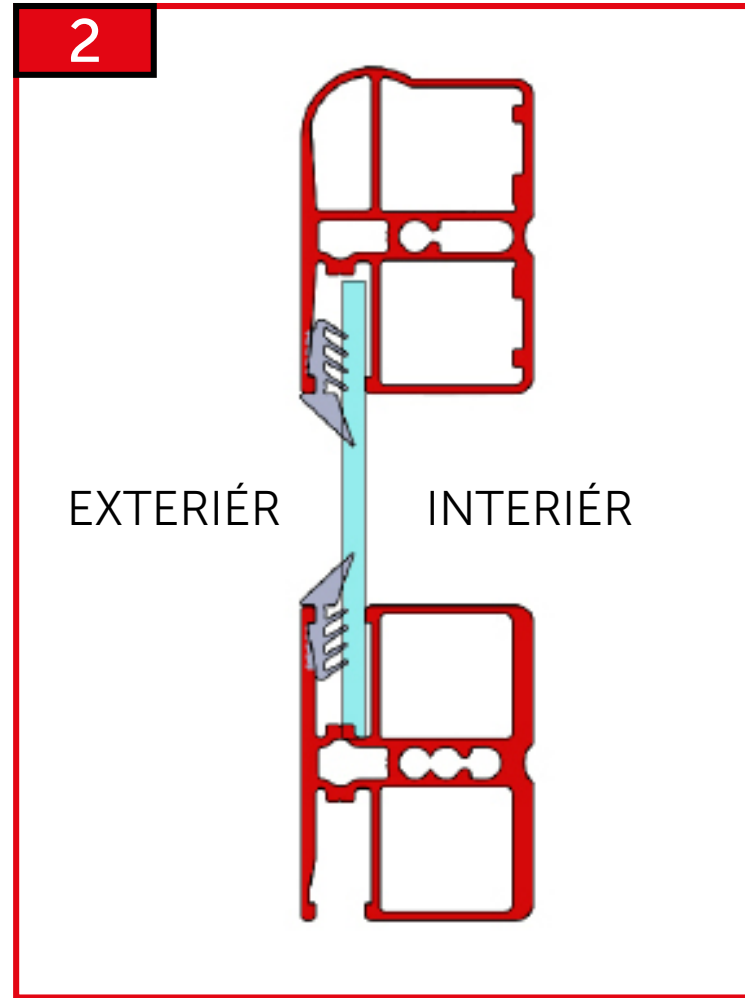
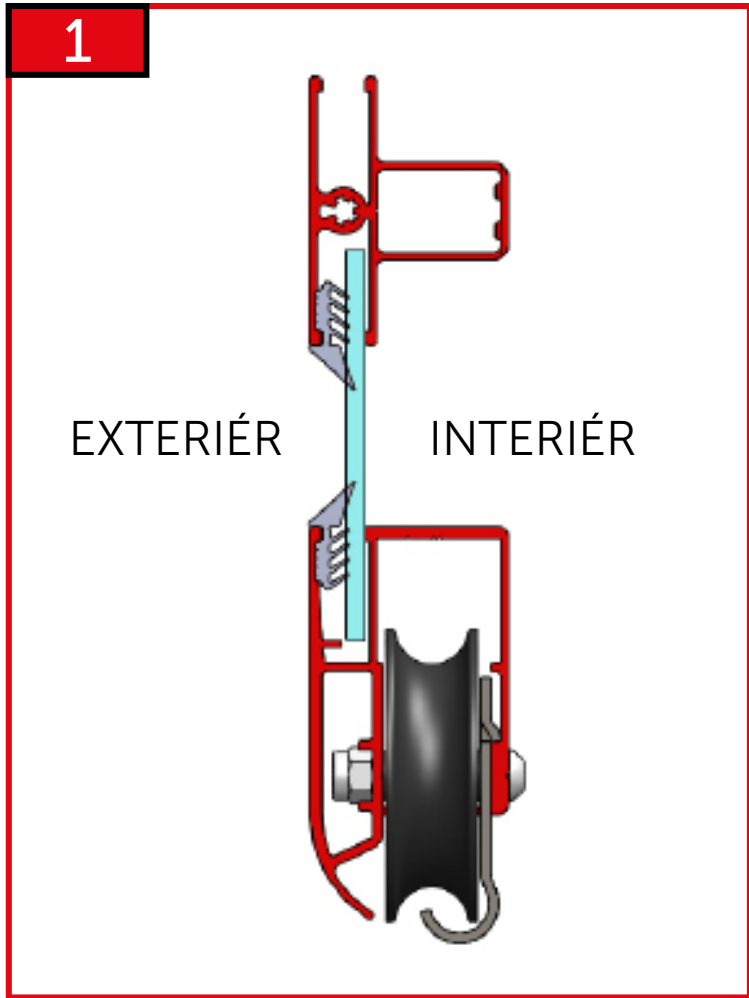


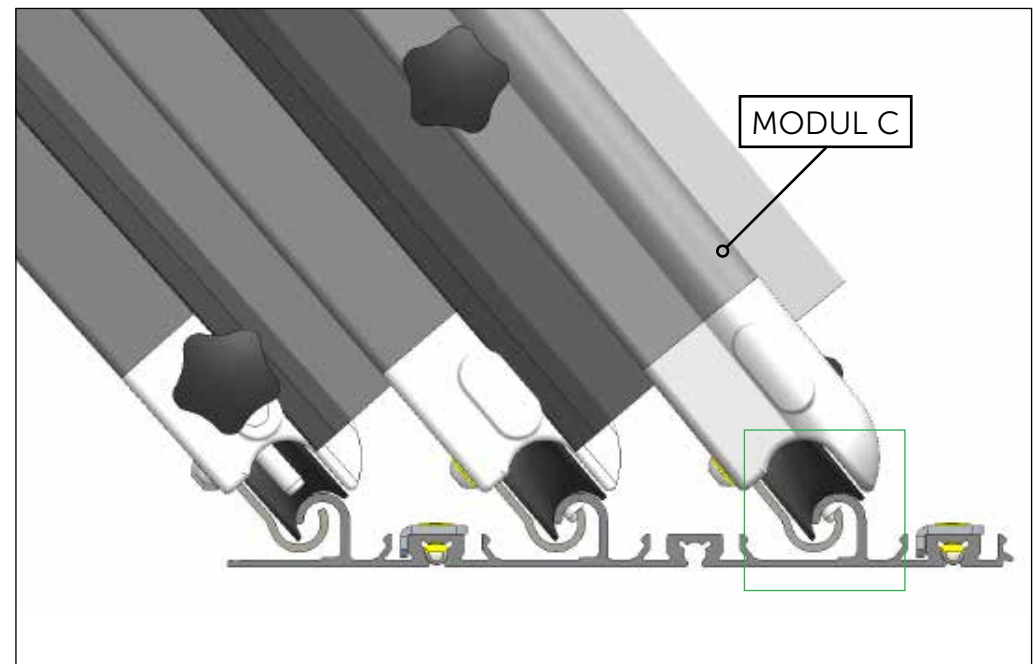
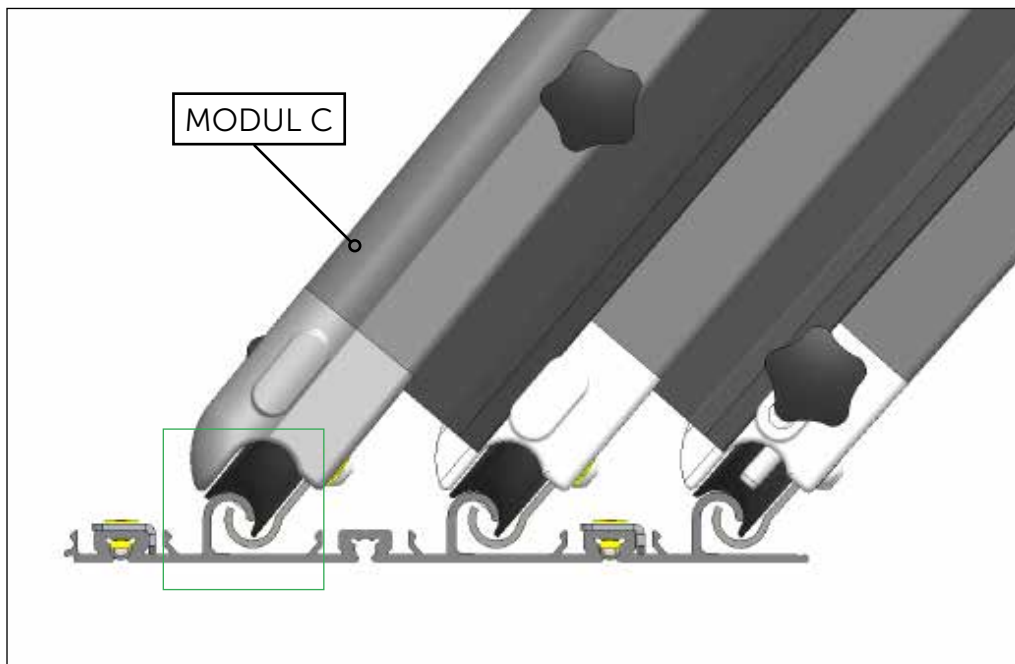
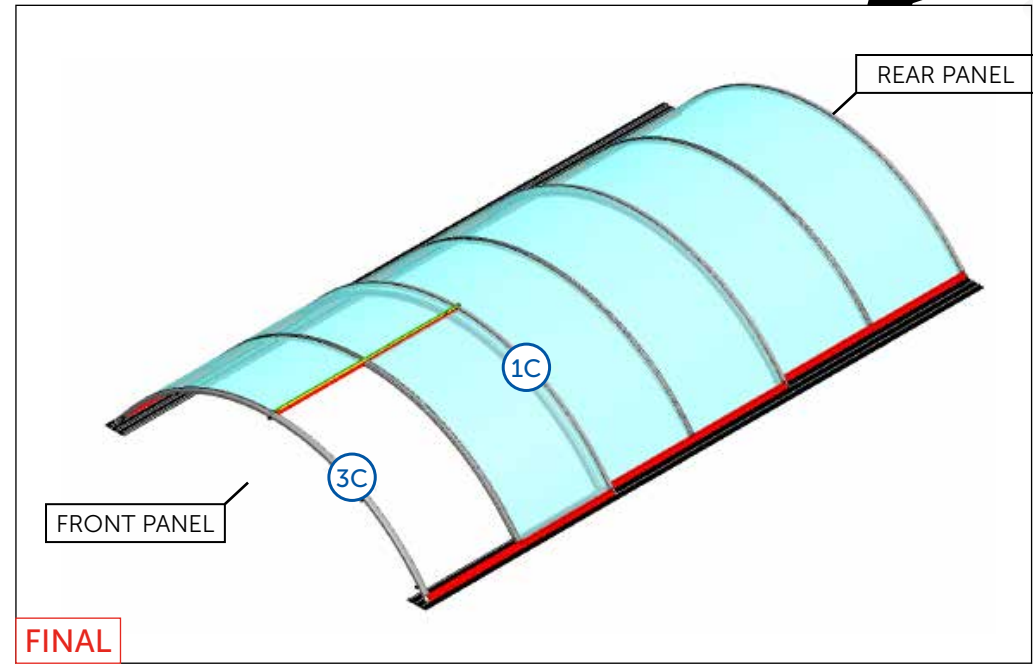
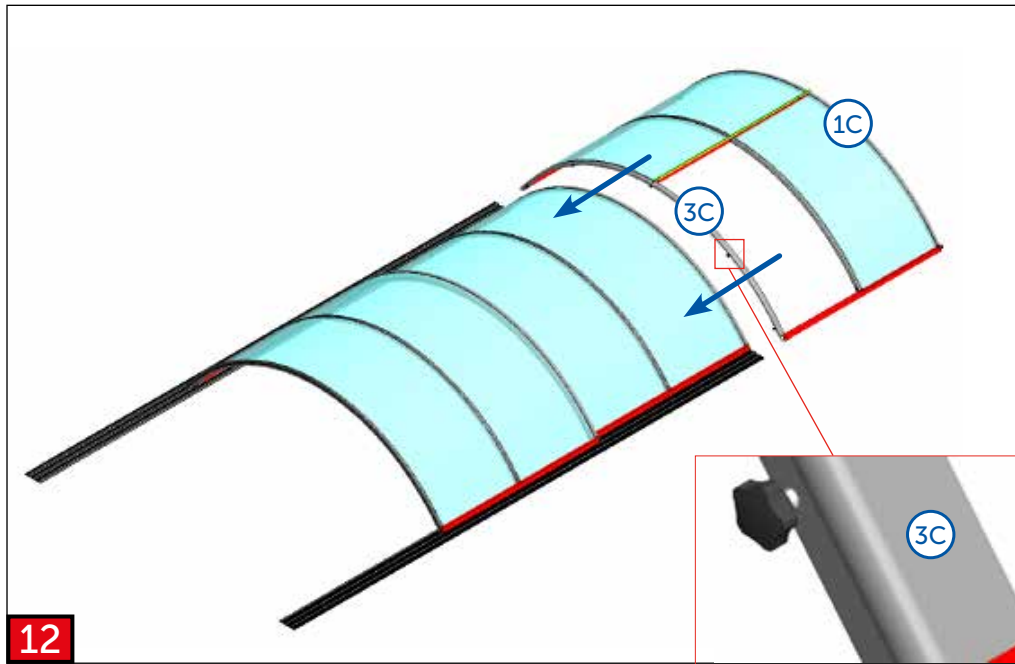




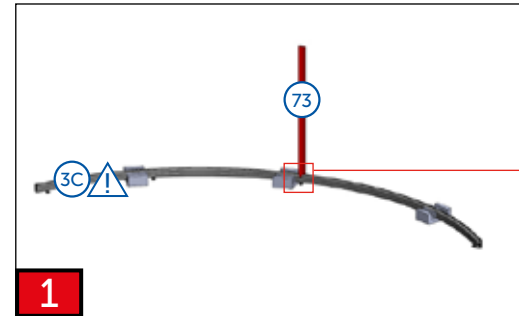
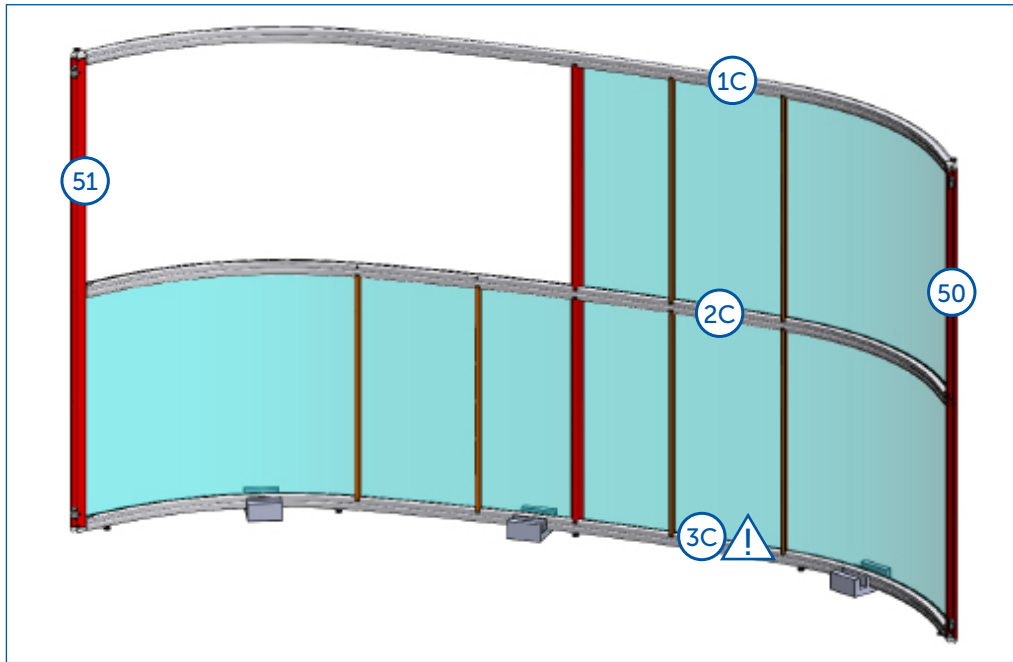




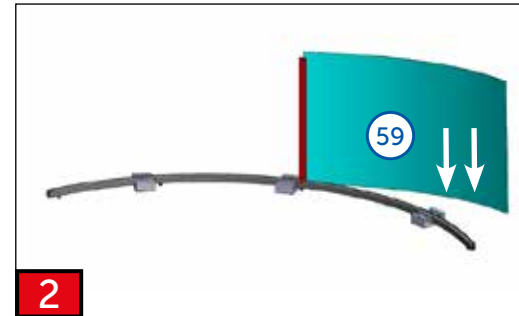
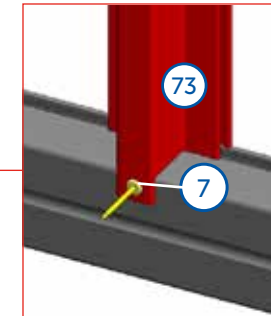








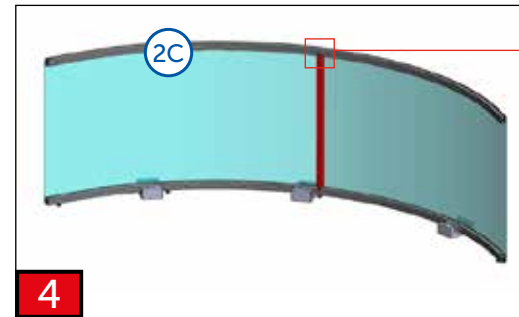
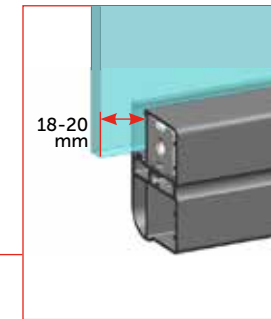
1



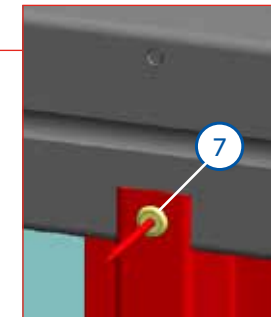
2



3



4



**5** Step 5: Shows the initial assembly of the curved glass panel (36) into the frame. A red screw (7) is used to secure the panel to the frame.

**6** Step 6: Shows the panel (36) being secured to the frame with a red screw (7). A vertical red line (73) is shown for alignment.

**7** Step 7: Shows the panel (36) being secured to the frame with a red screw (7). A vertical red line (59) is shown for alignment, with two white arrows pointing downwards.

**8** Step 8: Shows the panel (36) being secured to the frame with a red screw (7). A vertical red line (1C) is shown for alignment.

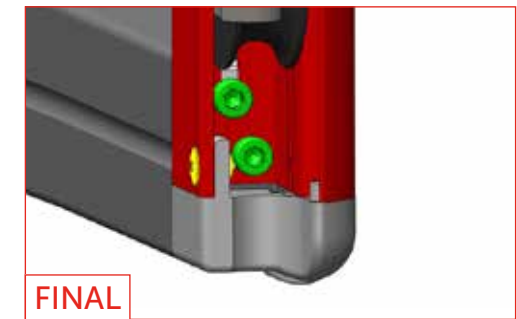
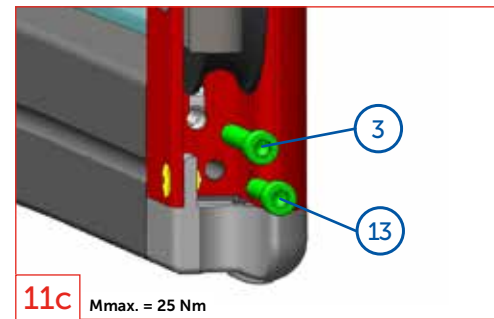
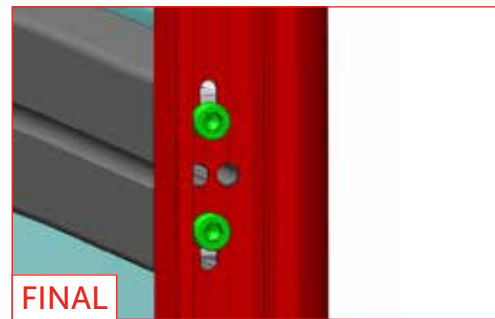
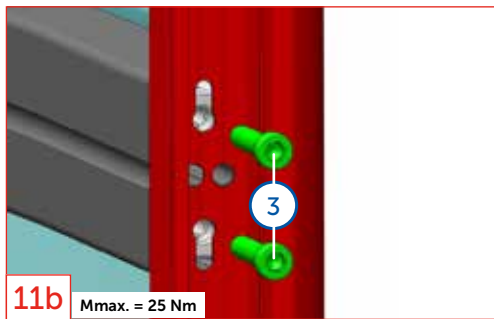
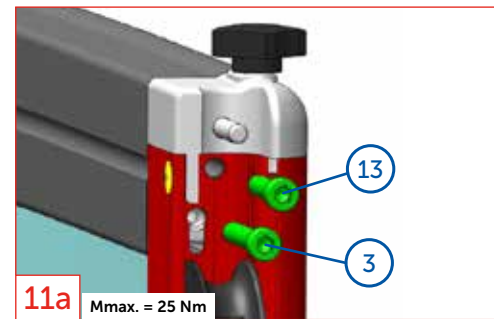
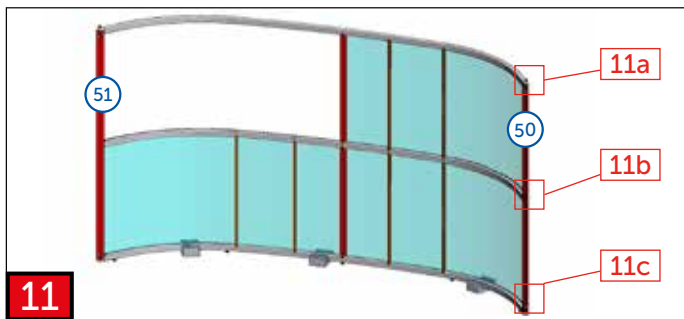
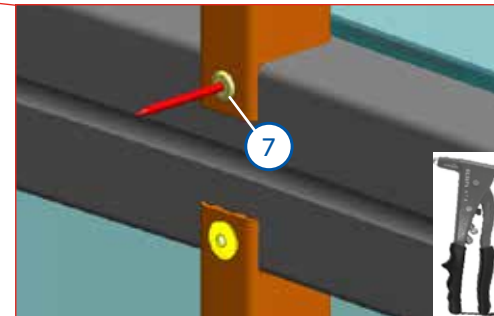
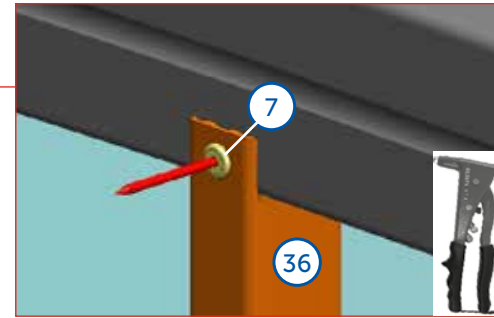
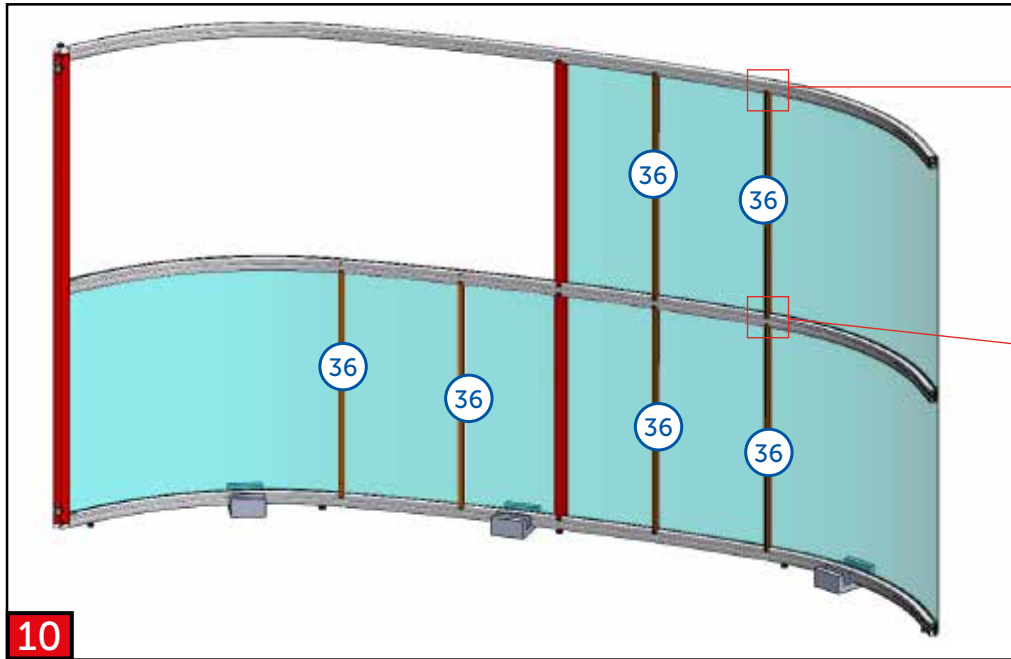
**9** Step 9: Shows the final assembly of the curved glass panel (36) into the frame. A red screw (7) is used to secure the panel to the frame. A vertical red line (51) is shown for alignment. The panel is divided into three sections: 9a, 9b, and 9c.

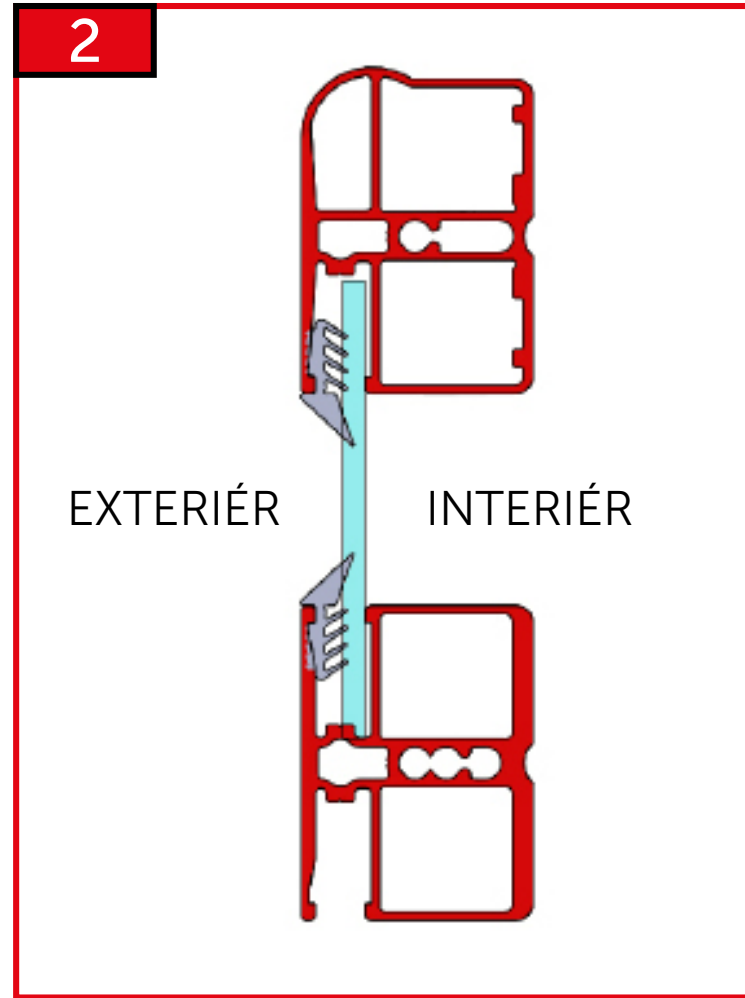
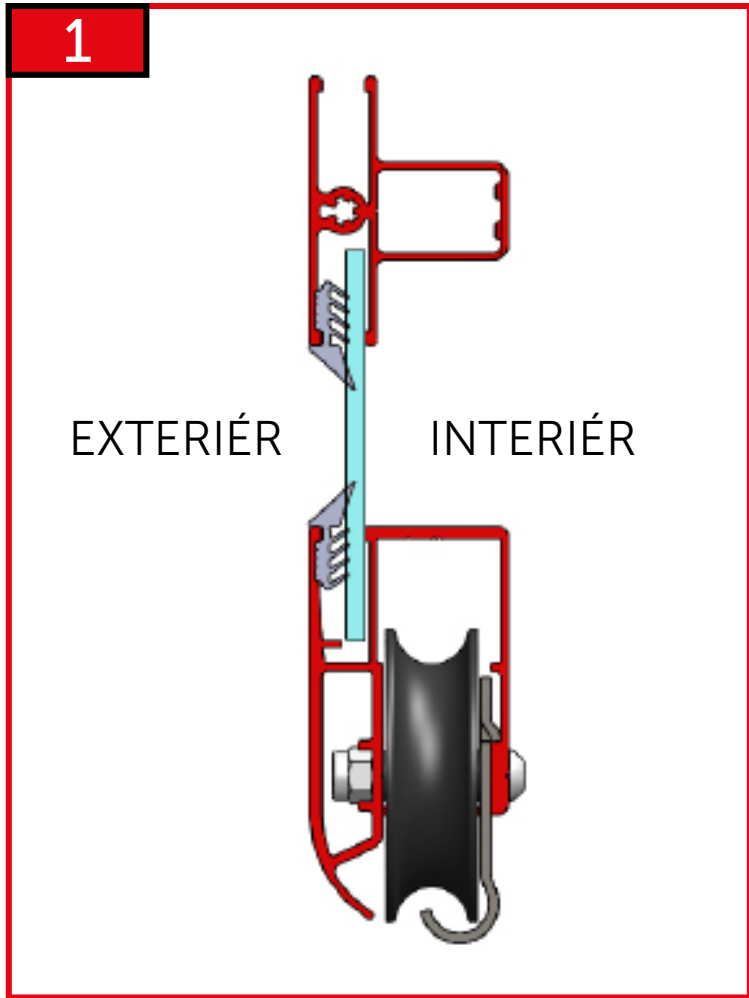
**9a** Step 9a: Shows the final assembly of the curved glass panel (36) into the frame. A red screw (7) is used to secure the panel to the frame. A vertical red line (51) is shown for alignment. The panel is divided into three sections: 9a, 9b, and 9c. The torque is  $M_{max.} = 25 \text{ Nm}$ .

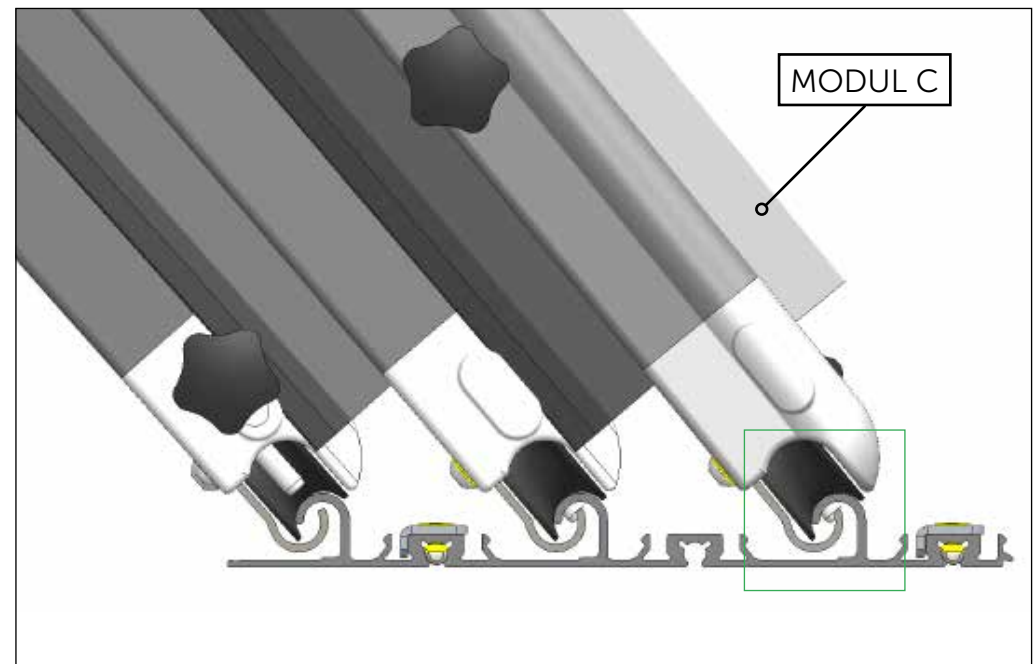
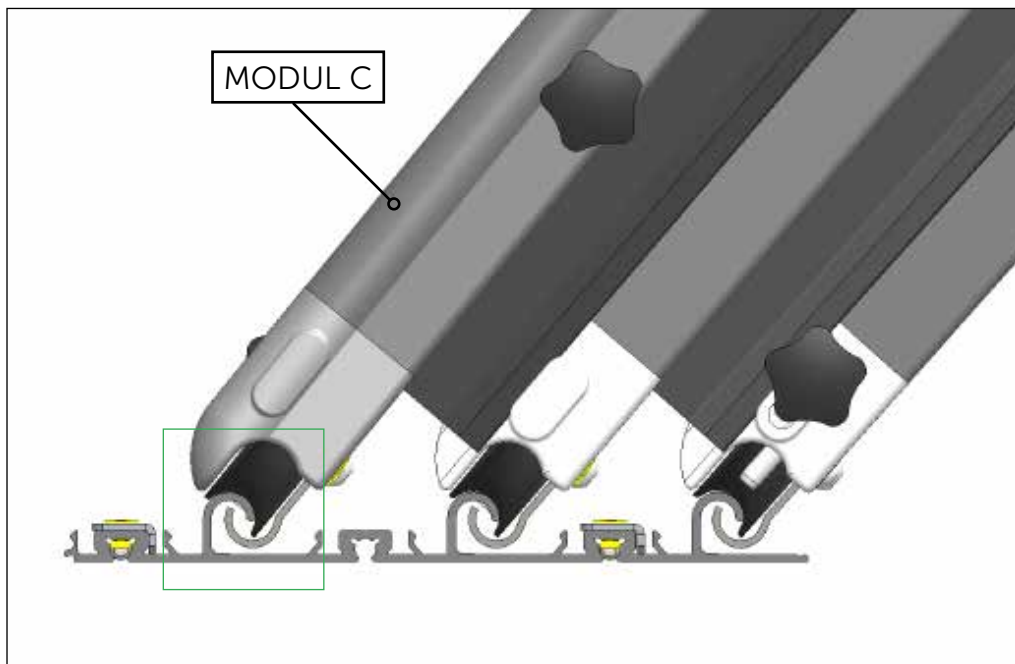
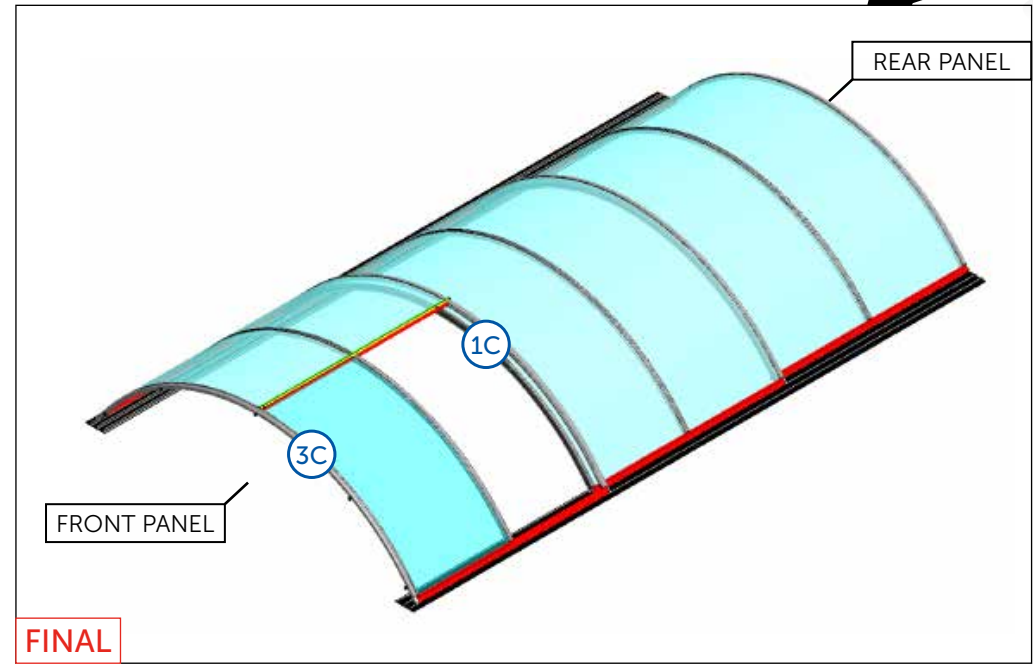
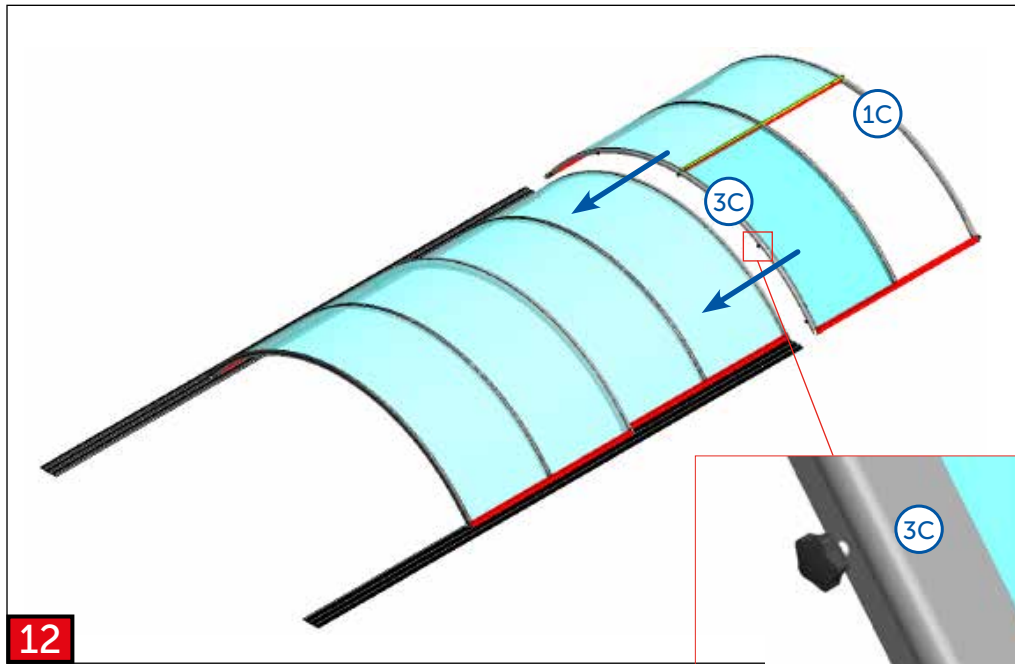
**9b** Step 9b: Shows the final assembly of the curved glass panel (36) into the frame. A red screw (7) is used to secure the panel to the frame. A vertical red line (51) is shown for alignment. The panel is divided into three sections: 9a, 9b, and 9c. The torque is  $M_{max.} = 25 \text{ Nm}$ .

**9c** Step 9c: Shows the final assembly of the curved glass panel (36) into the frame. A red screw (7) is used to secure the panel to the frame. A vertical red line (51) is shown for alignment. The panel is divided into three sections: 9a, 9b, and 9c. The torque is  $M_{max.} = 25 \text{ Nm}$ .

**FINAL** Final assembly of the curved glass panel (36) into the frame. A red screw (7) is used to secure the panel to the frame. A vertical red line (51) is shown for alignment. The panel is divided into three sections: 9a, 9b, and 9c.







ZZ02-06-SB003D-DB 703  
ZZ02-06-SB003C-SILVER ELOX

1x  
**69**

ZZ02-06-SB002D-DB 703  
ZZ02-06-SB002C-SILVER ELOX

1x  
**70**

**INTERIOR PKB**      **INTERIOR CLEAR**

1SP11-01-029

AN 9051  
6,3 x 50  
4x  
**3**

1SP07-01-001

ø4 x 10  
4x  
**7**

1SP11-01-027

AN 9051  
6,3 x 38  
4x  
**13**

1NA03-01-050

**17**

1041 mm  
2x  
**36**

ZZ04-01-SD001D-DB 703  
ZZ04-01-SD001C-SILVER ELOX

**EXTERIOR PKB**      **EXTERIOR CLEAR**

UV

ZZ02-02-SR009D-DB 703  
ZZ02-02-SR009C-SILVER ELOX

2x  
**74**

UV      UV      MODUL

OUT

MODUL

2220x 1050 mm      1x  
**60**

1SZ12-02-006

KEY  
2x

2x  
6,3 x 38

1x  
**75**

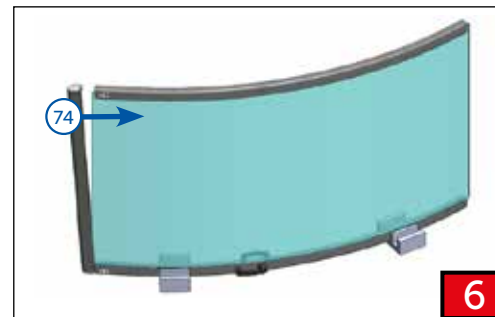
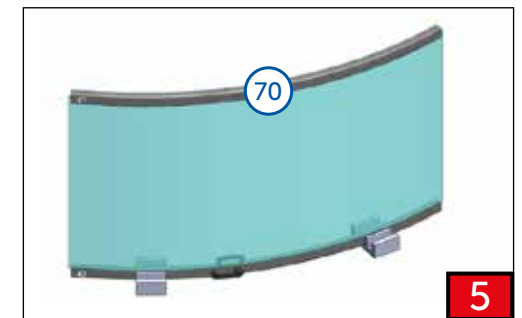
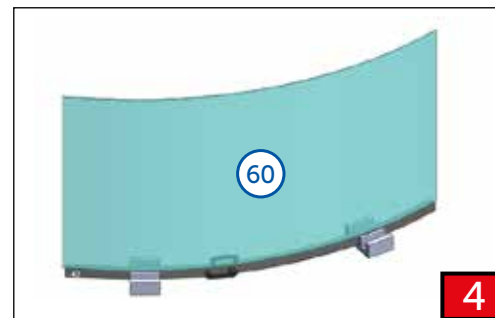
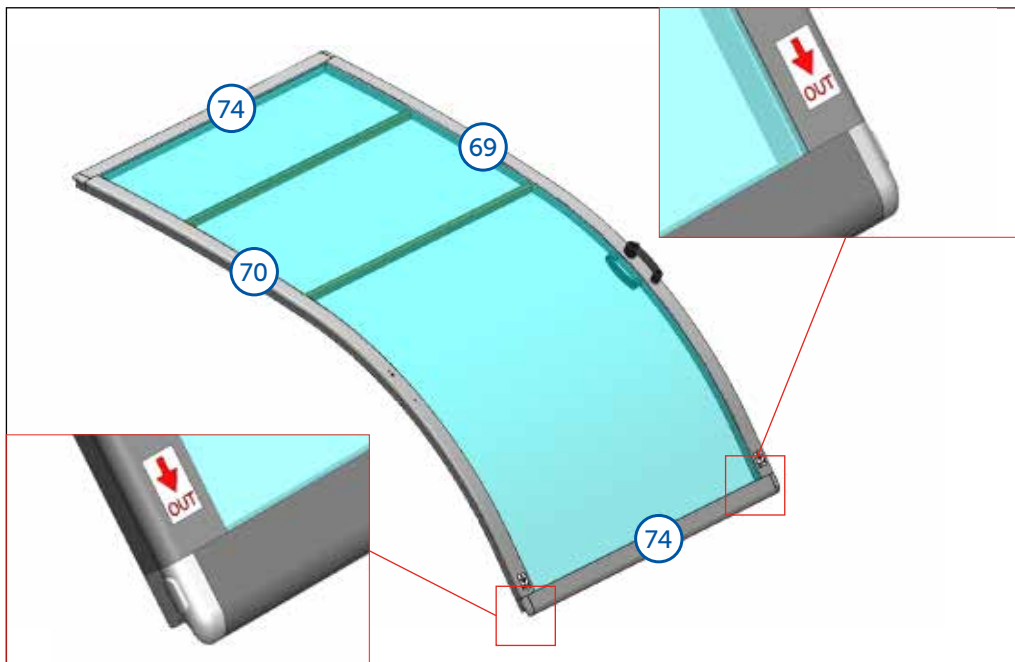
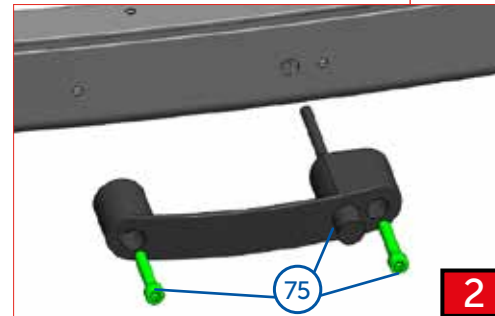
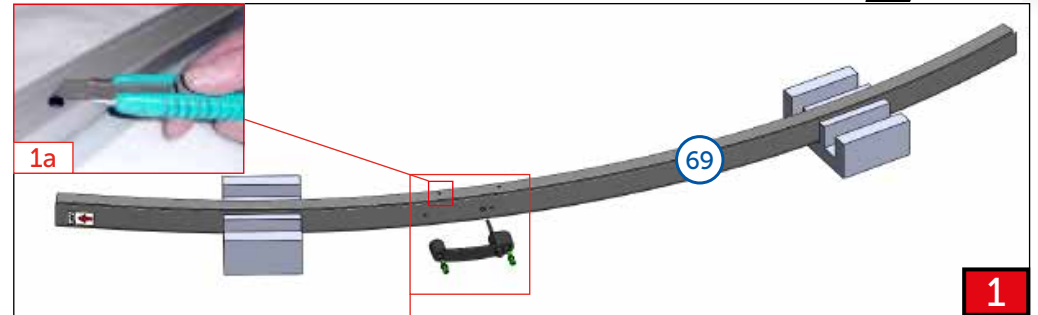
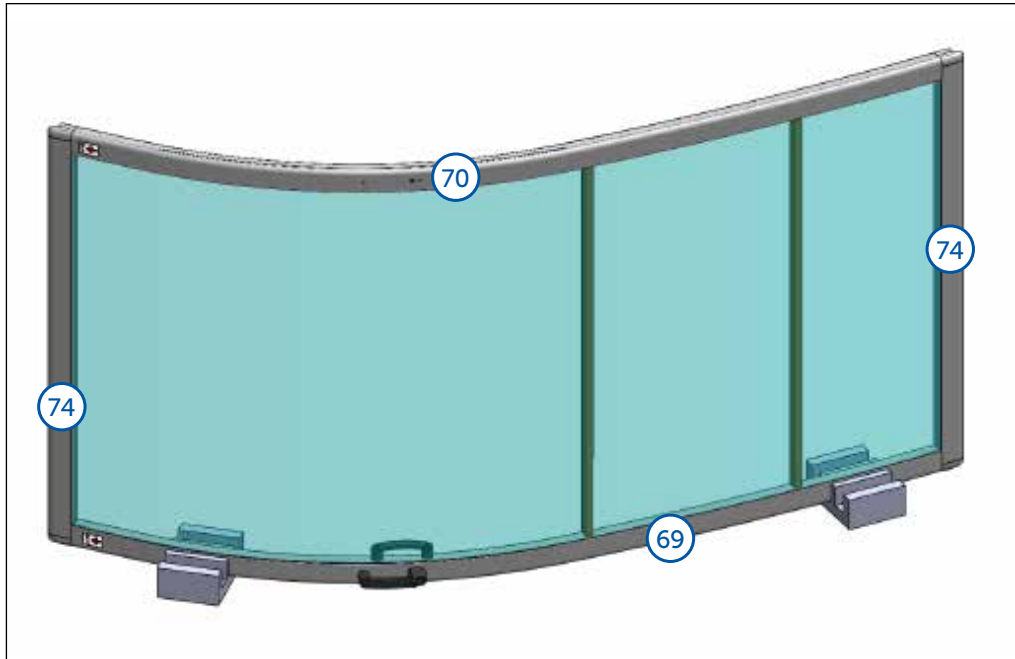
1SP11-01-024

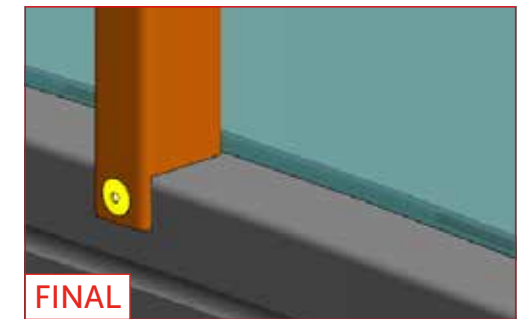
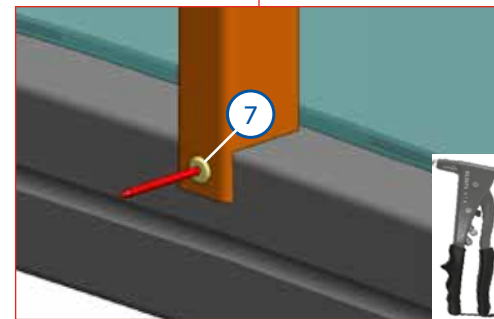
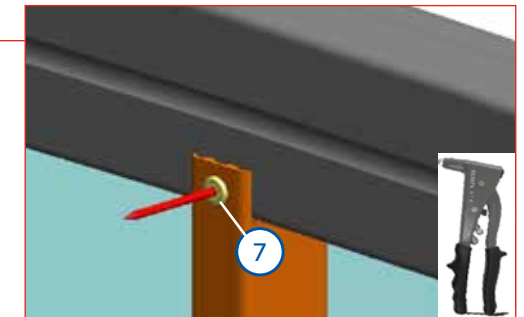
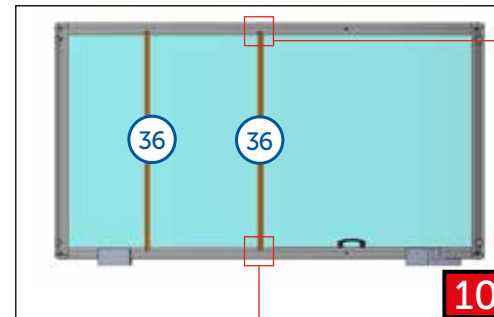
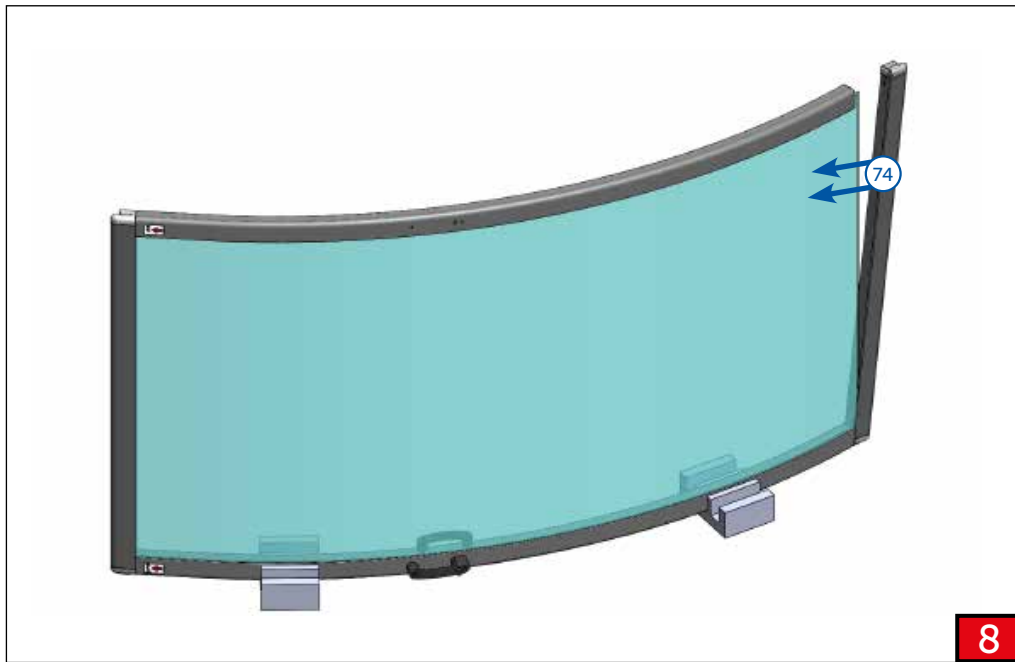
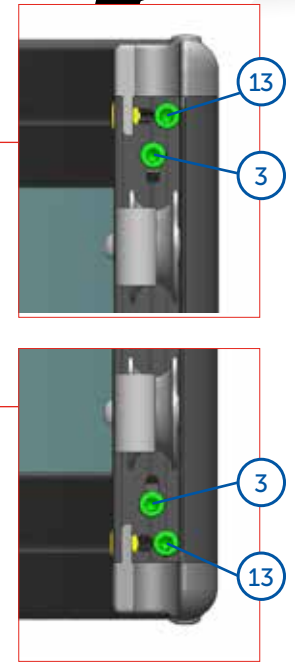
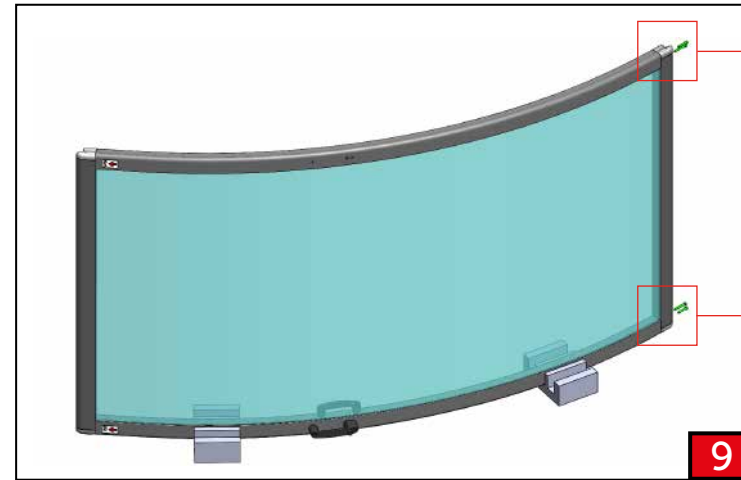
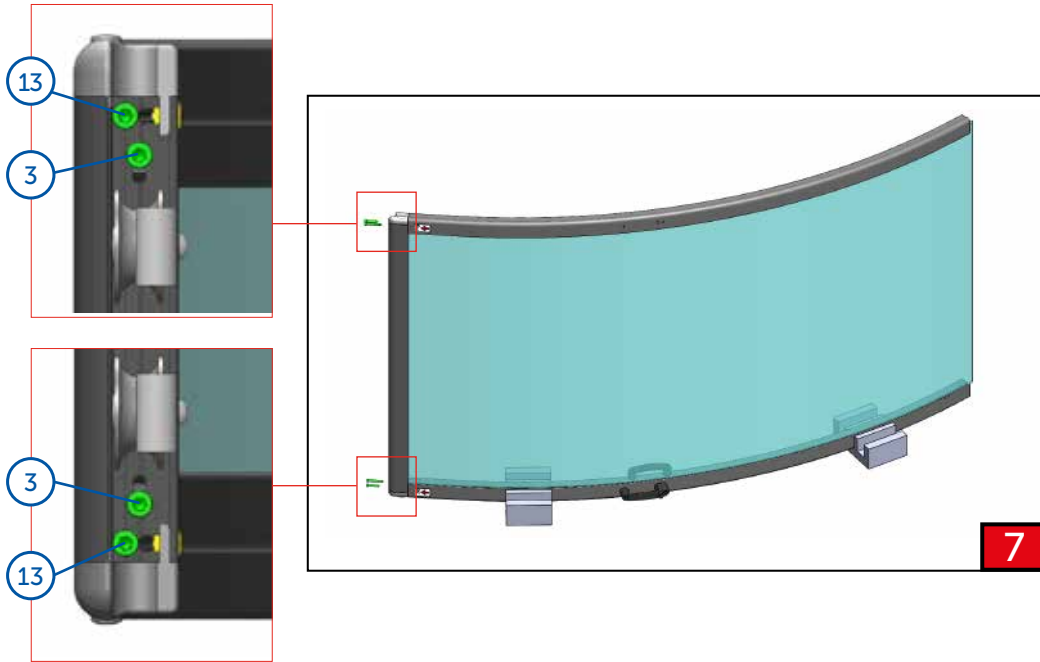
AN 9051  
6,3 x 19  
10x  
**77**

1SZ12-02-001

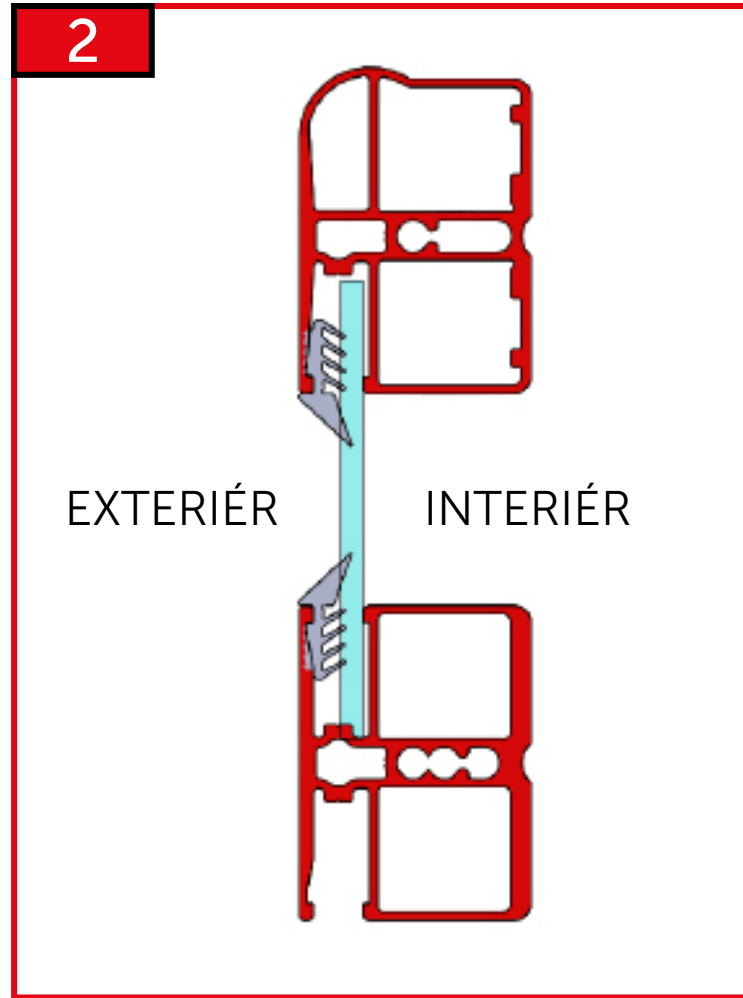
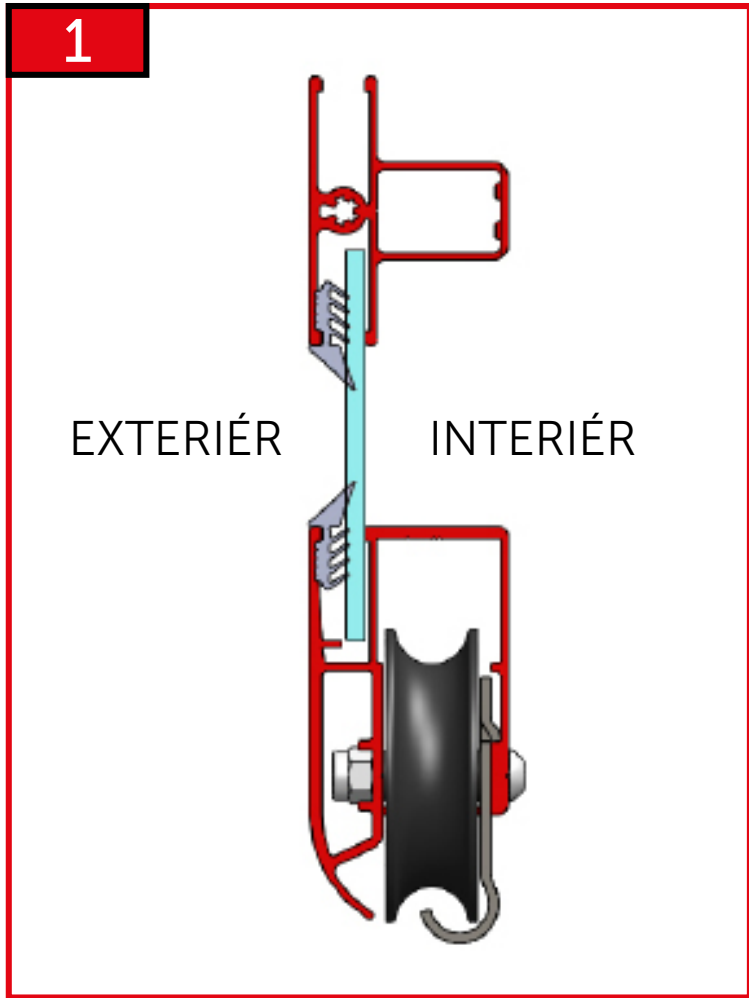
2x  
6,3 x 25

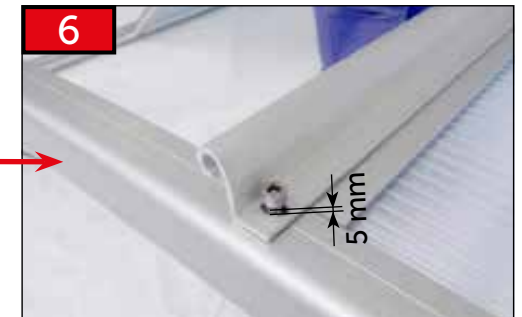
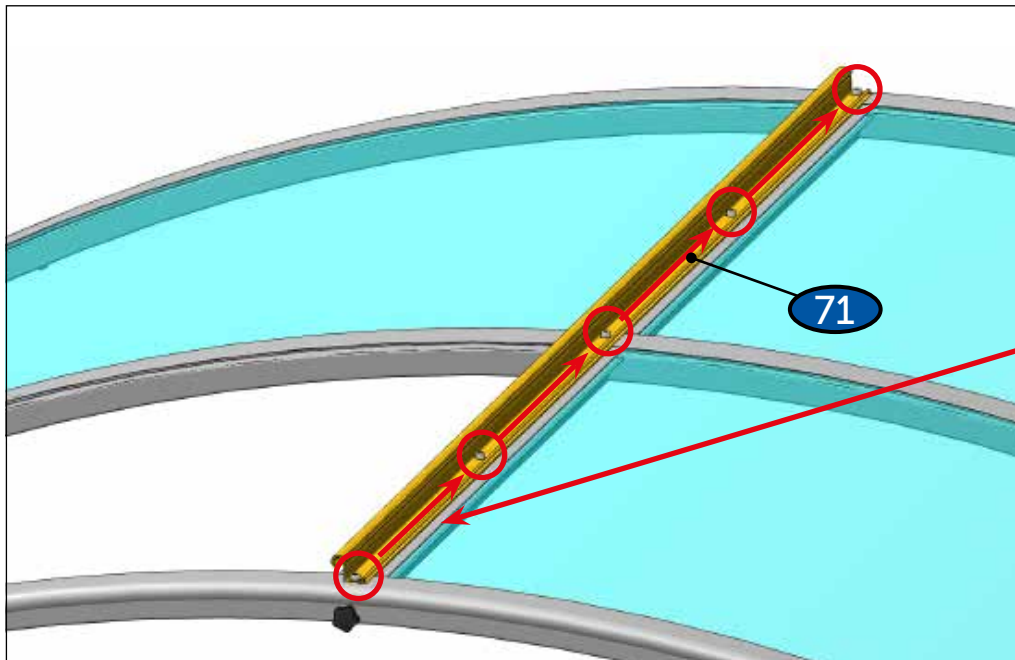
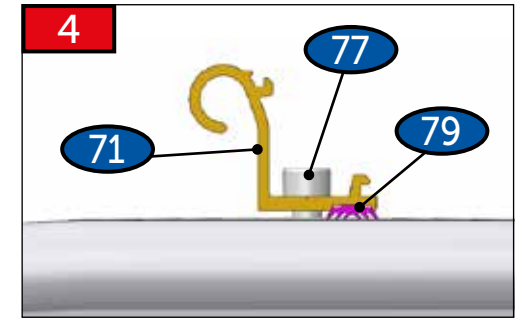
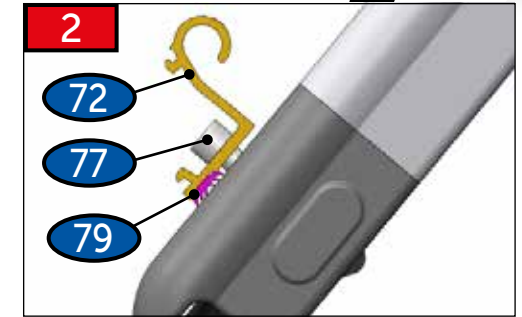
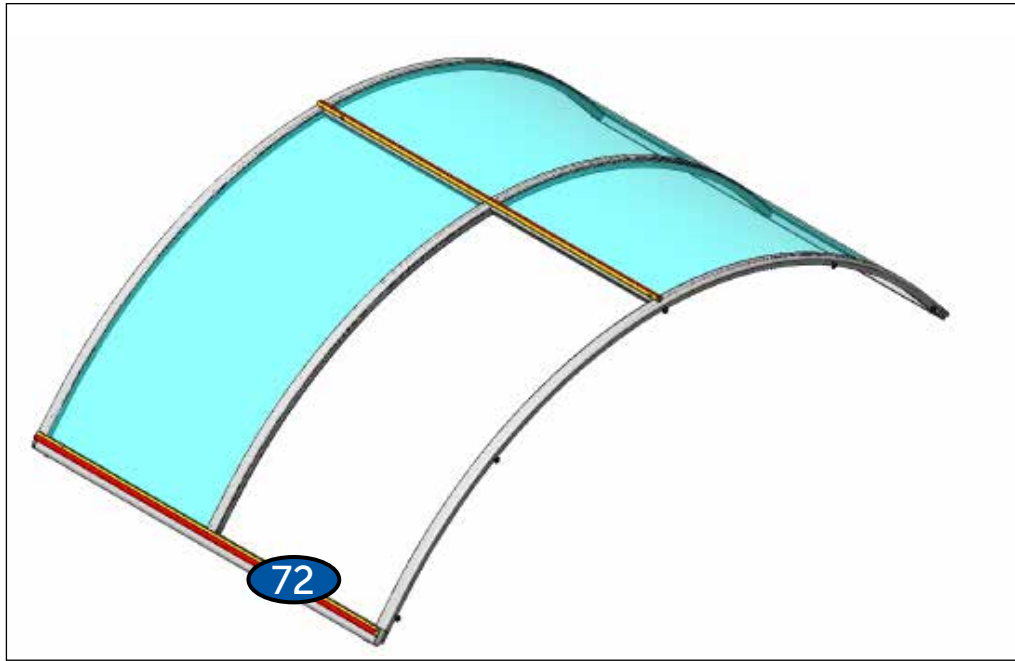
1x  
**78**

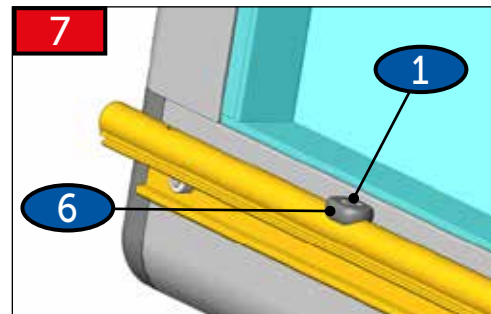
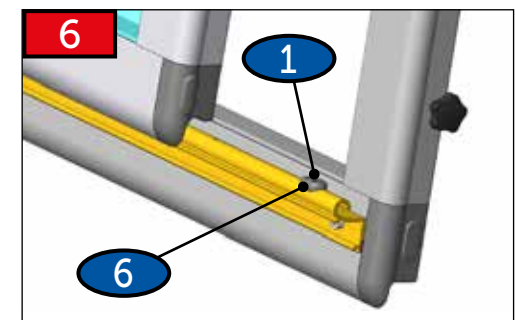
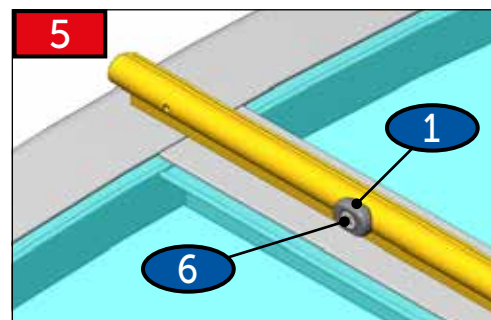
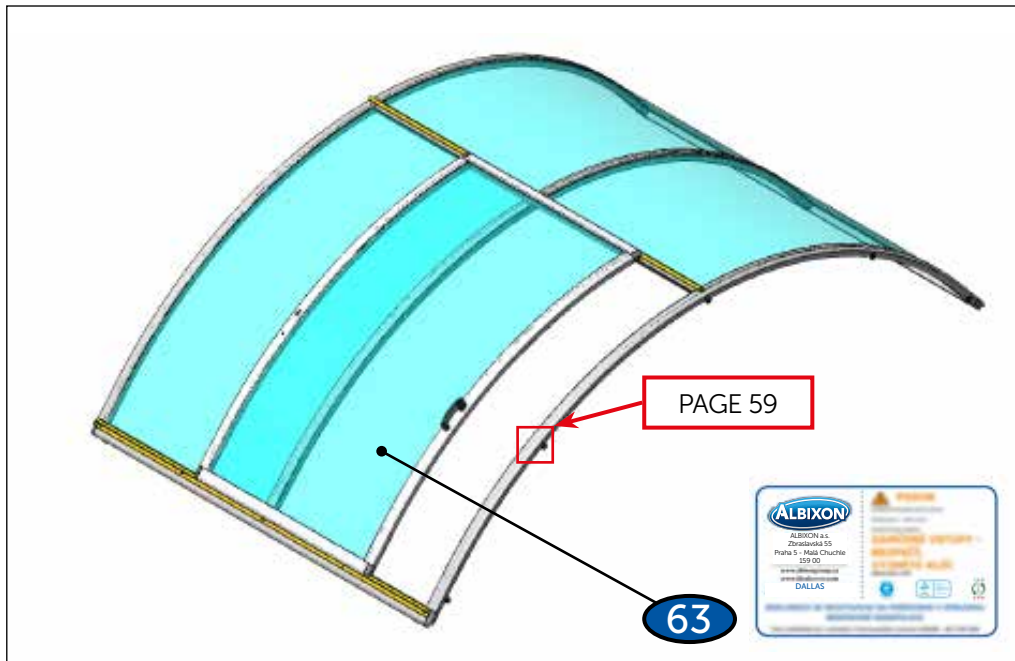
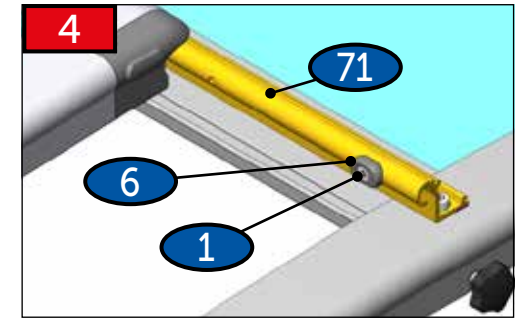
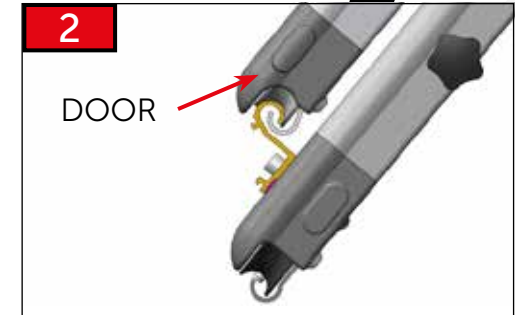
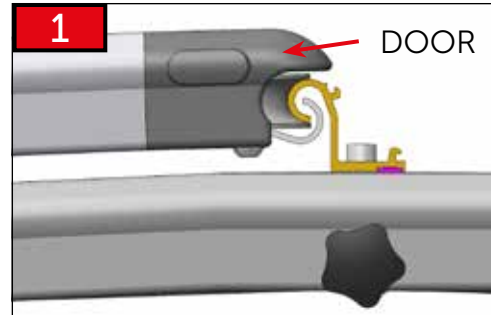
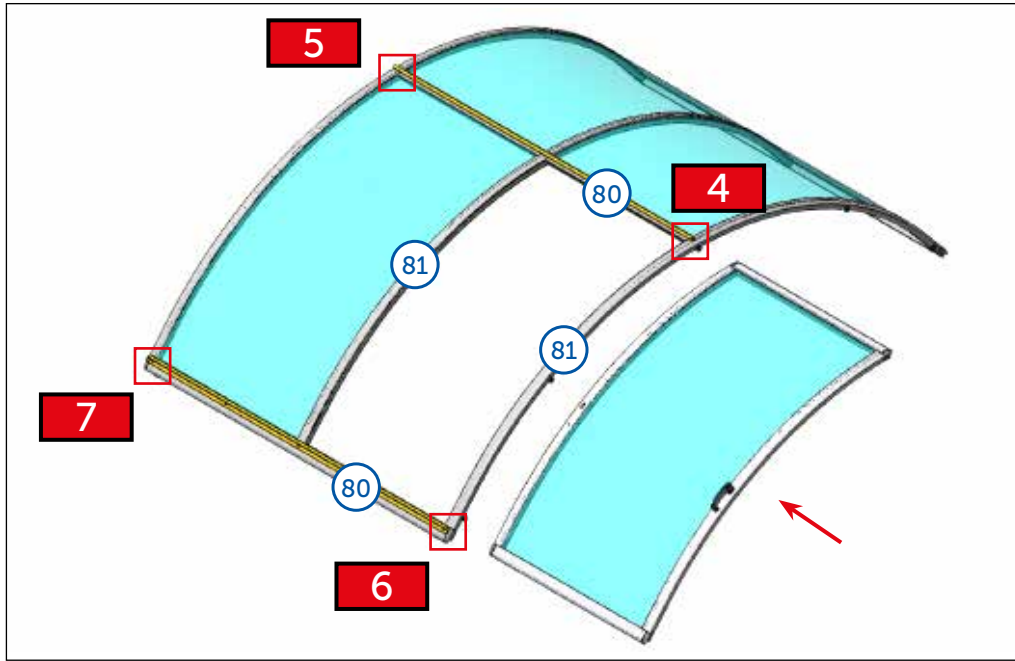


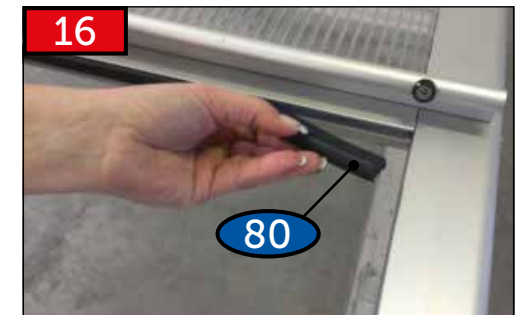
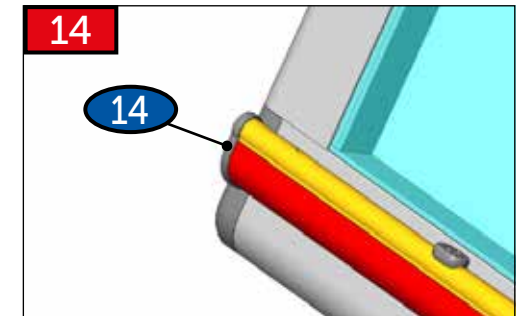
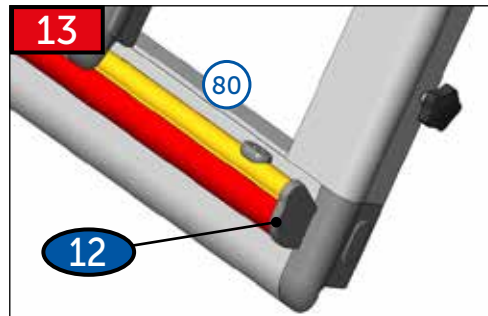
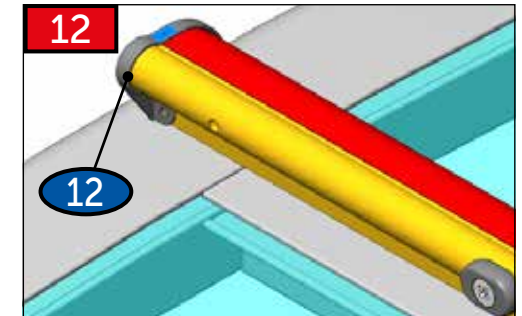
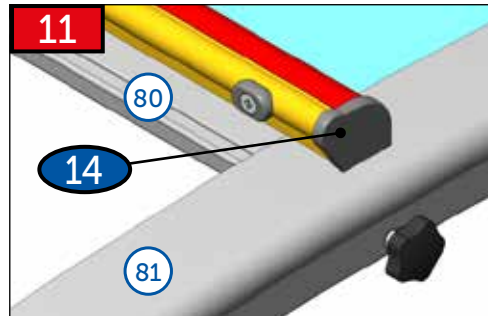
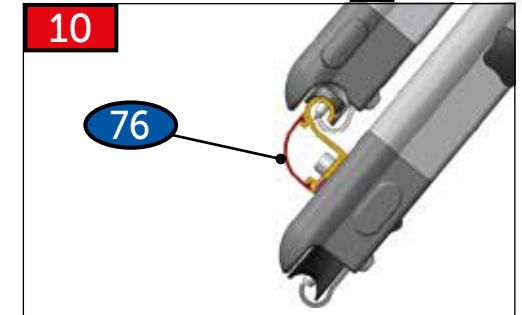
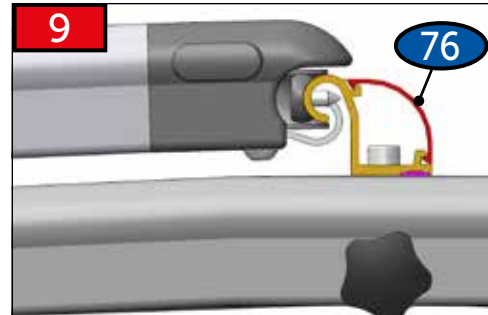
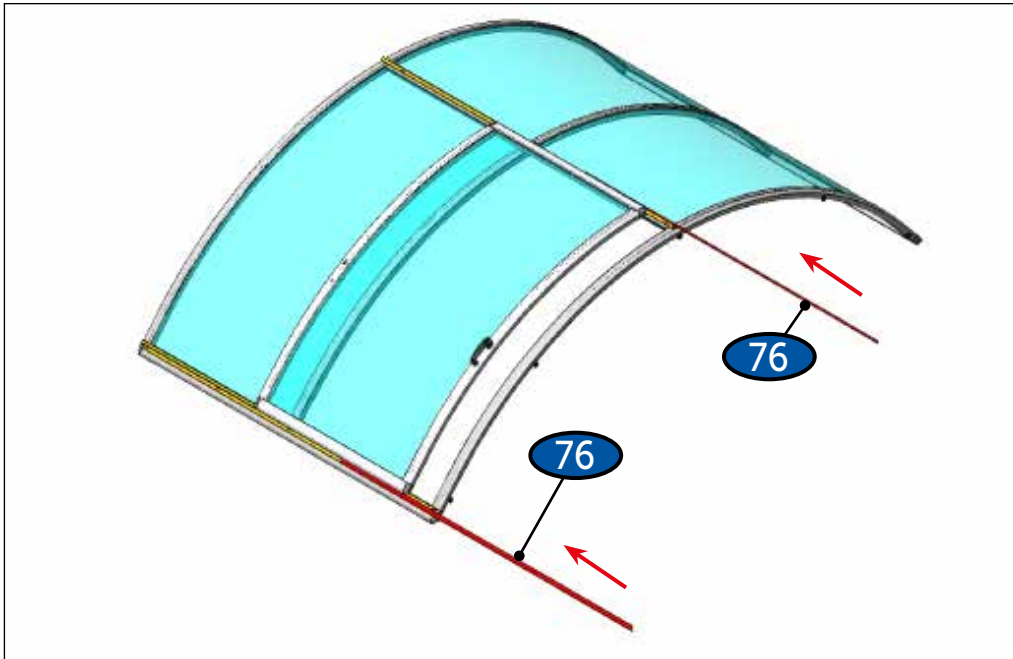


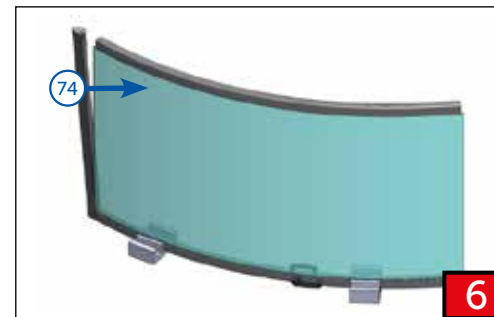
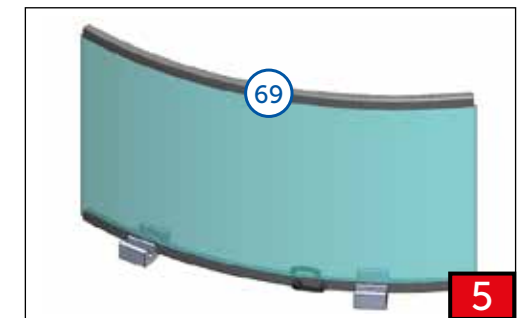
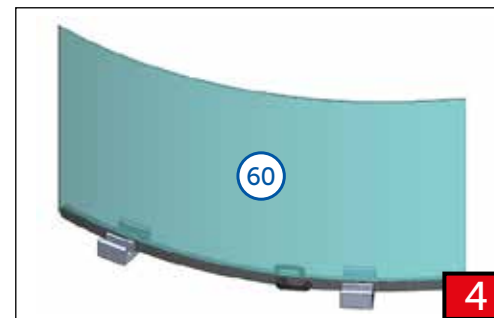
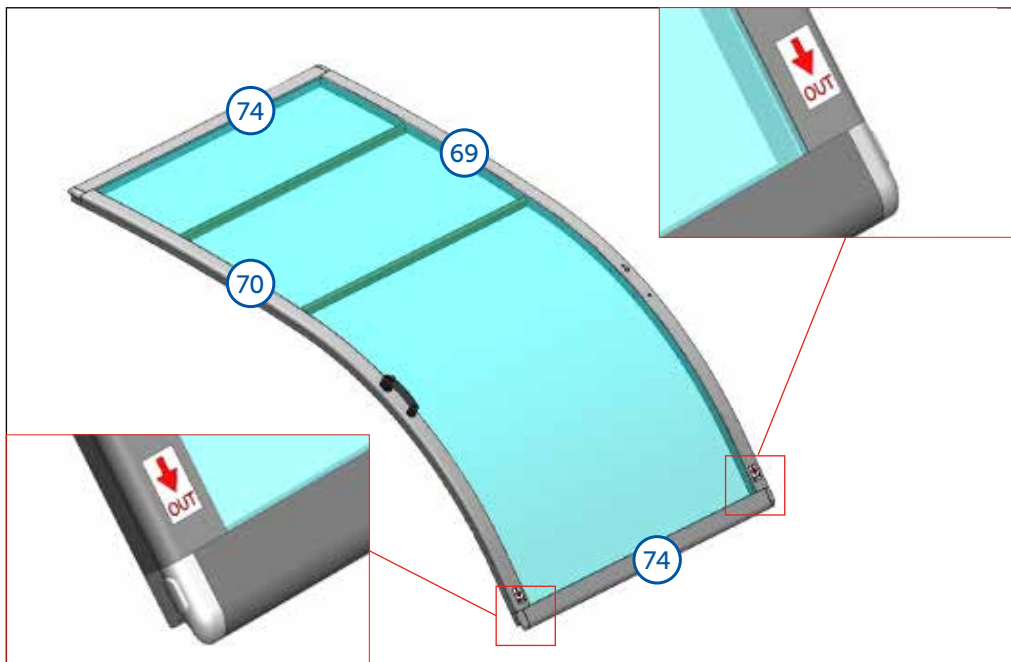
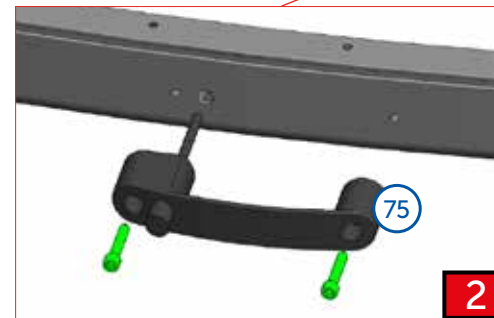
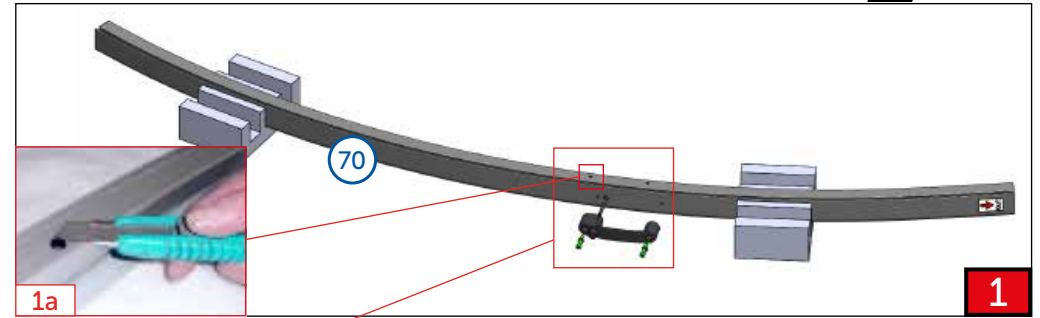
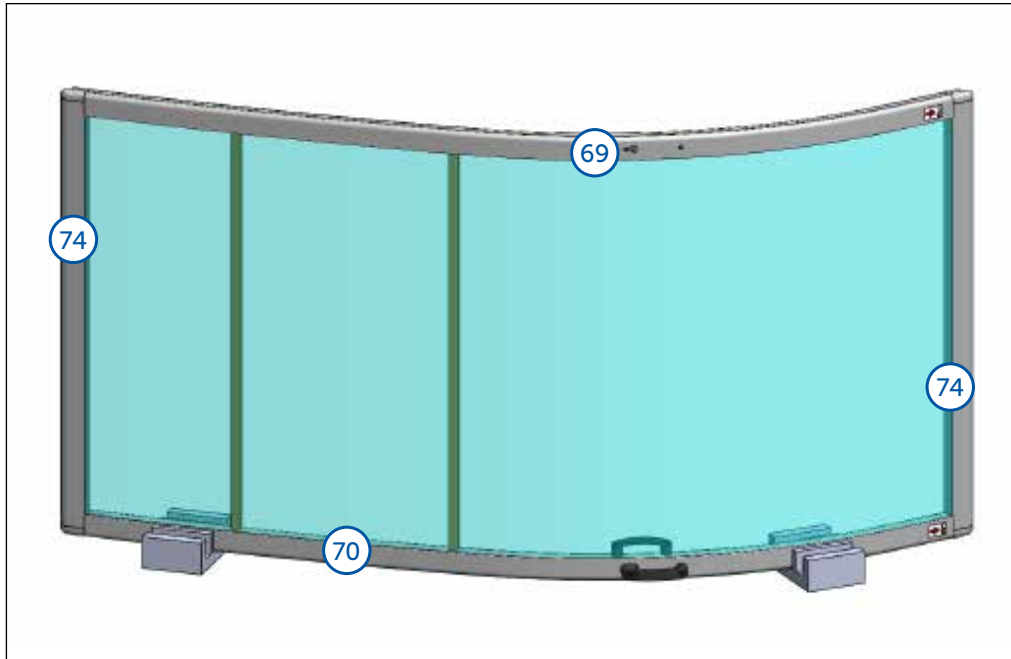


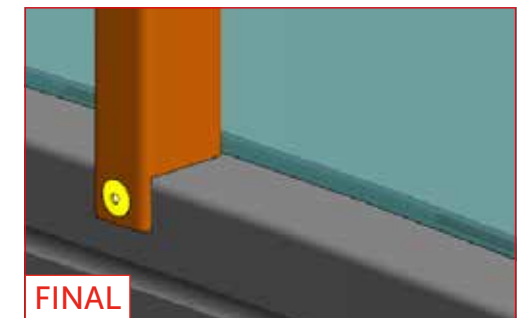
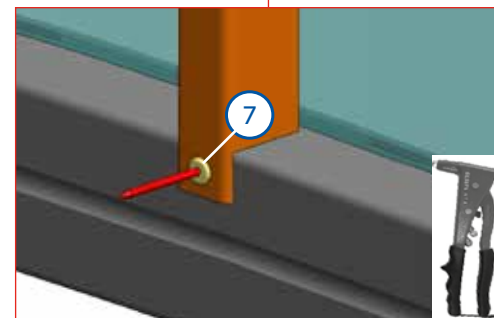
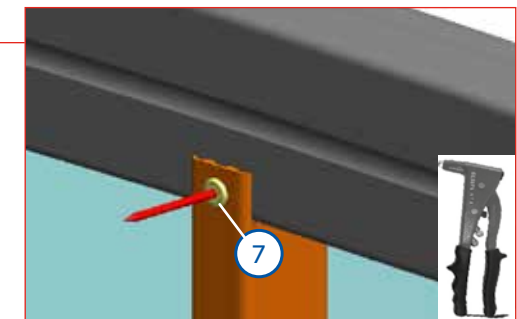
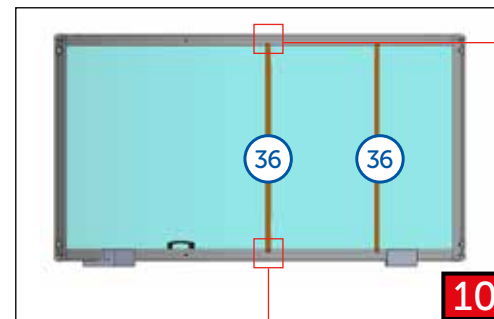
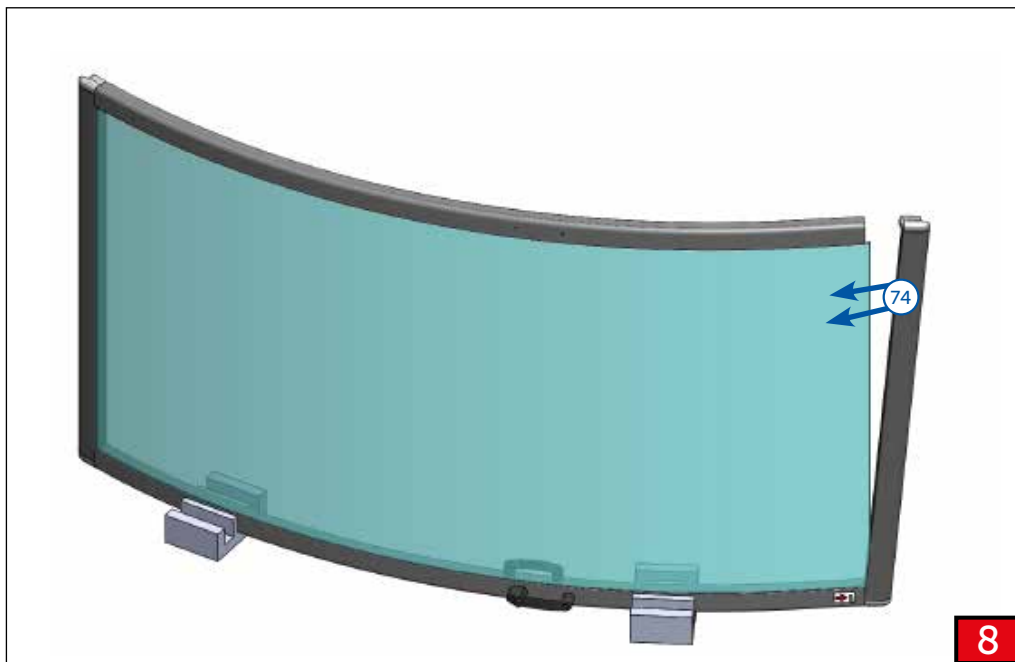
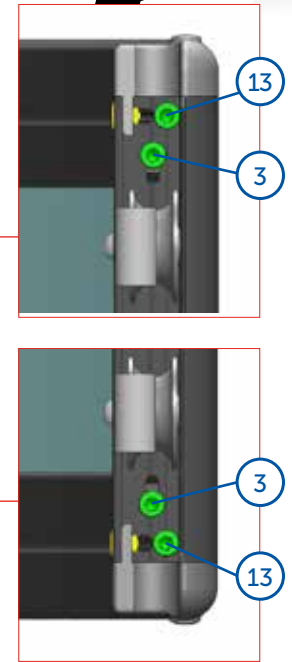
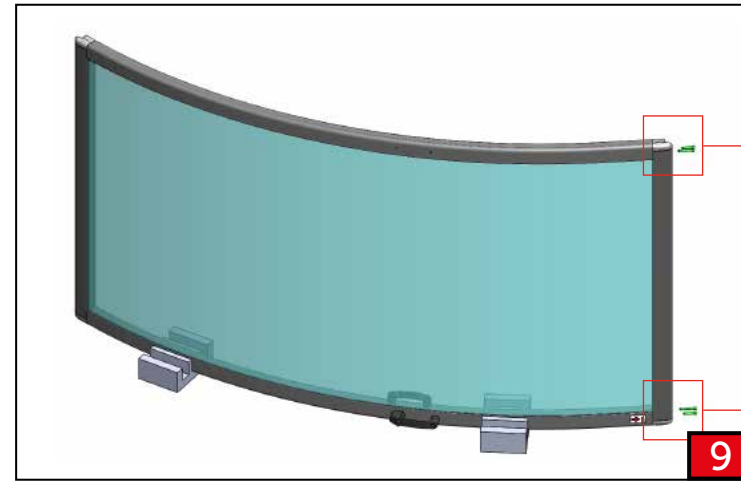
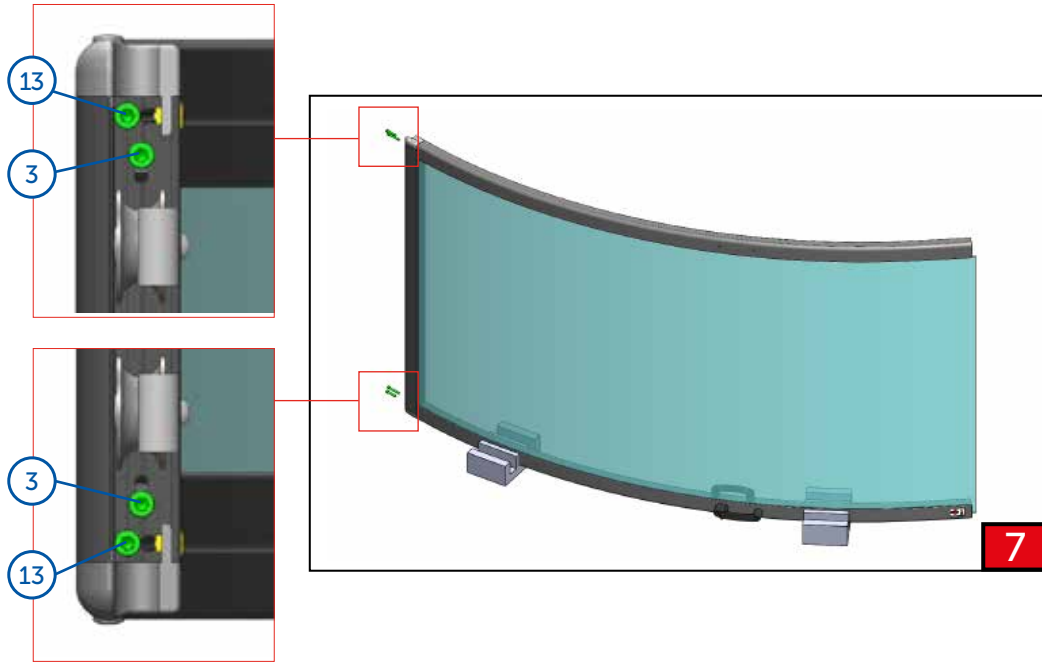


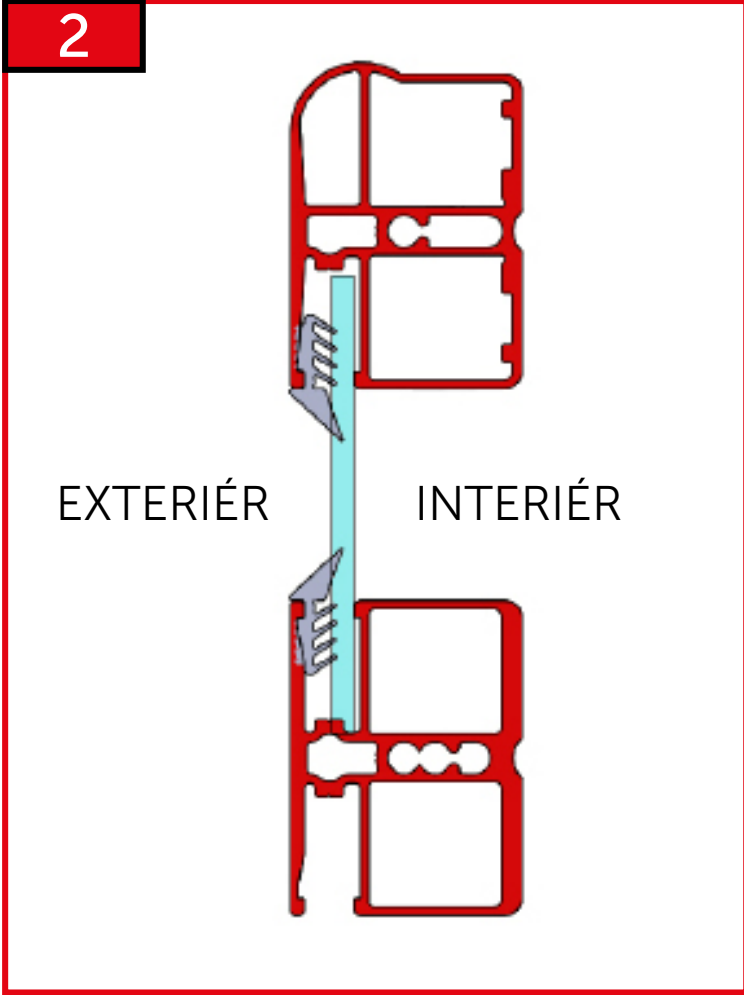
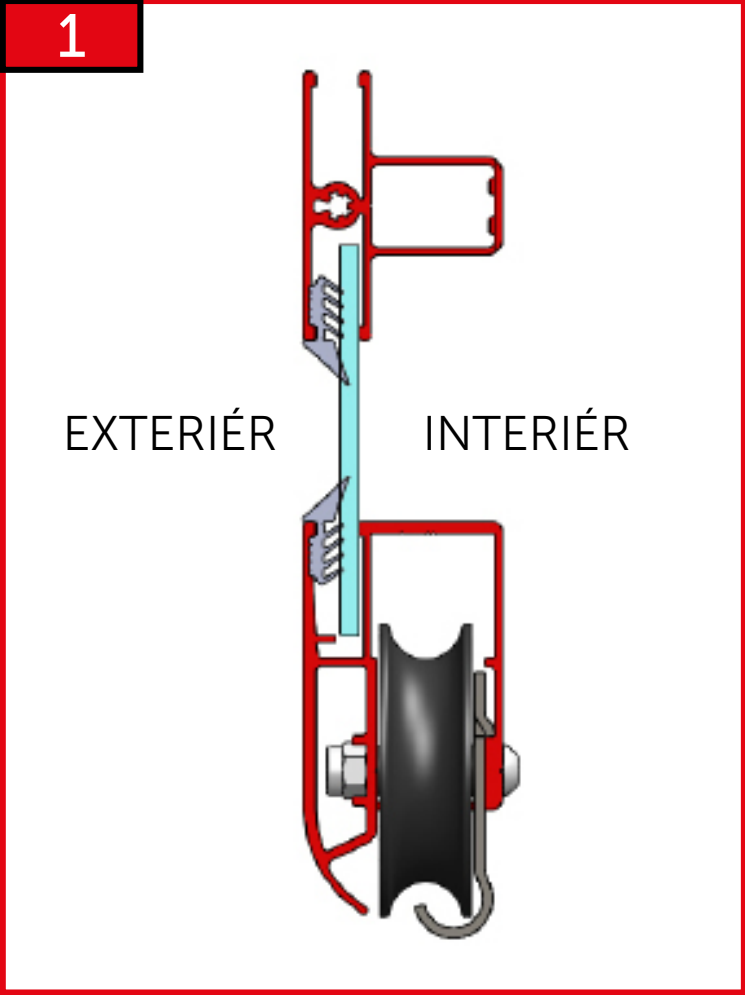


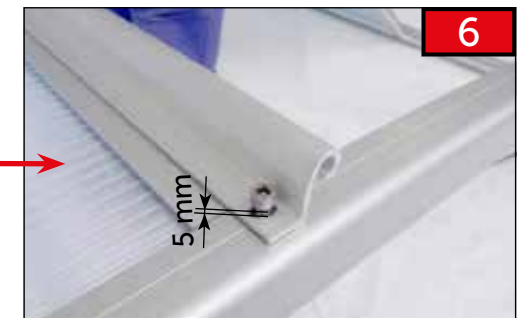
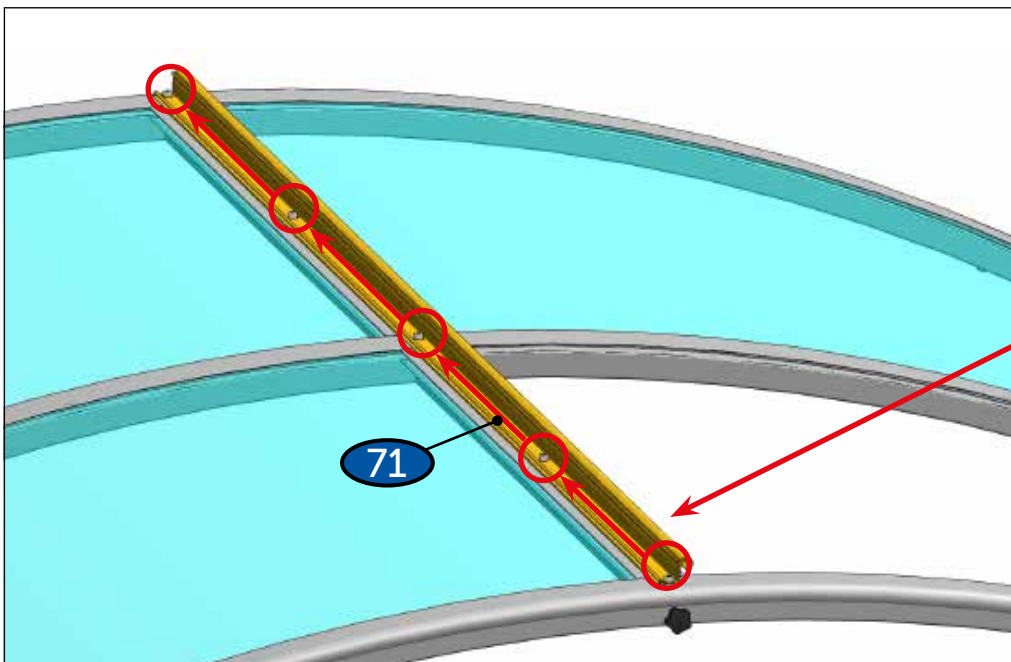
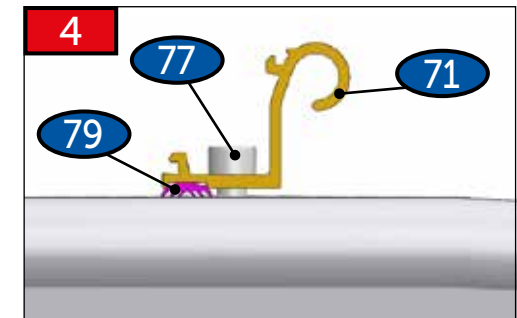
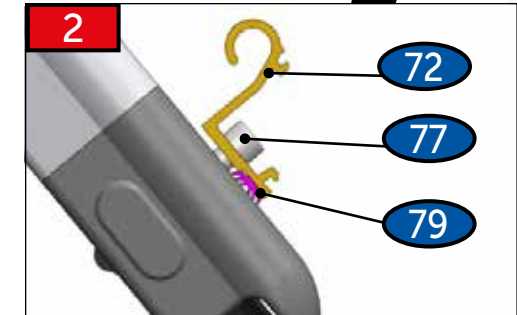
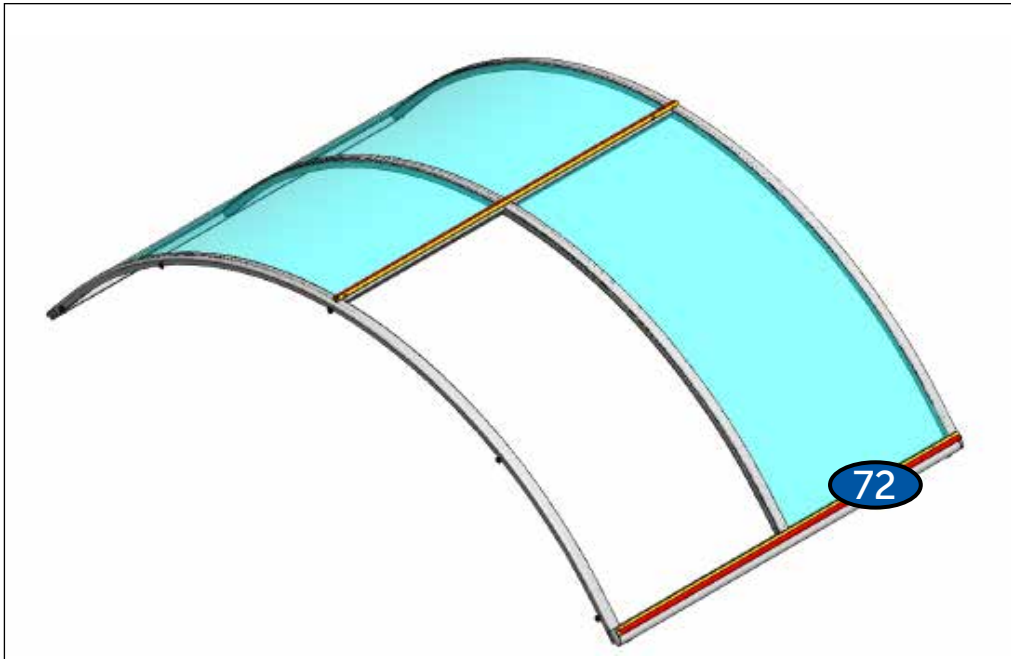




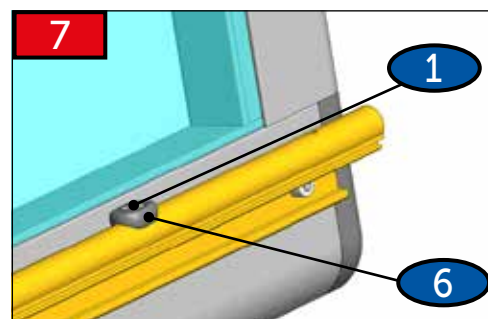
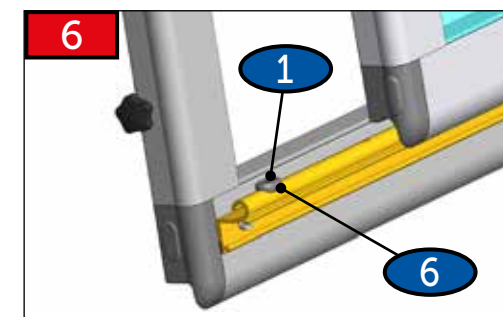
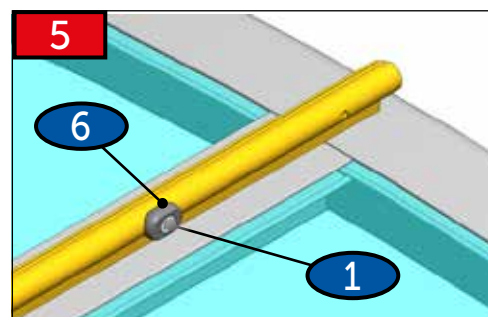
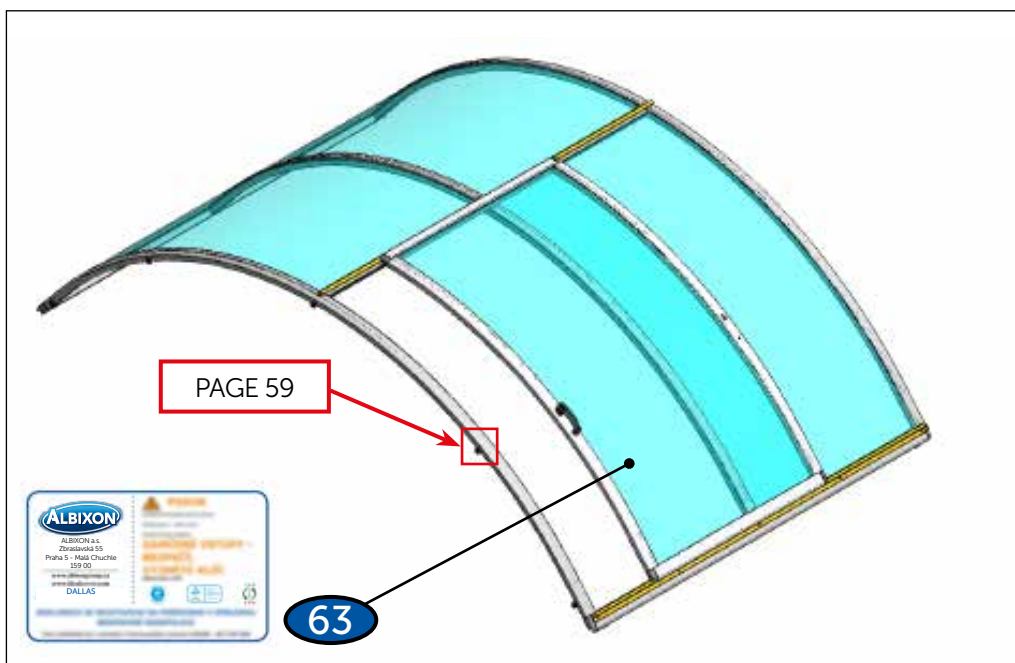
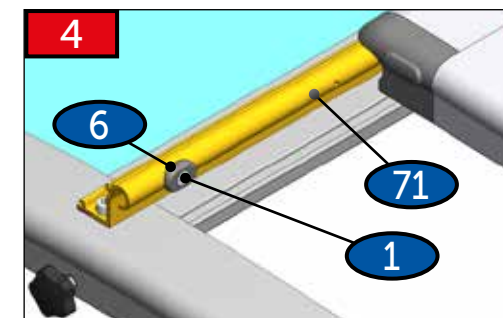
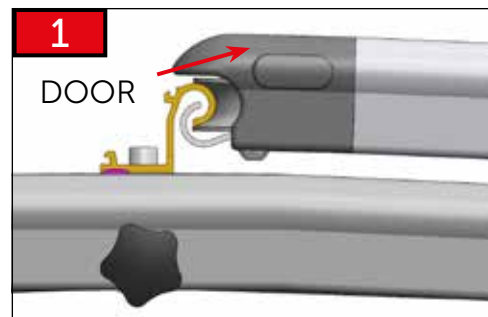
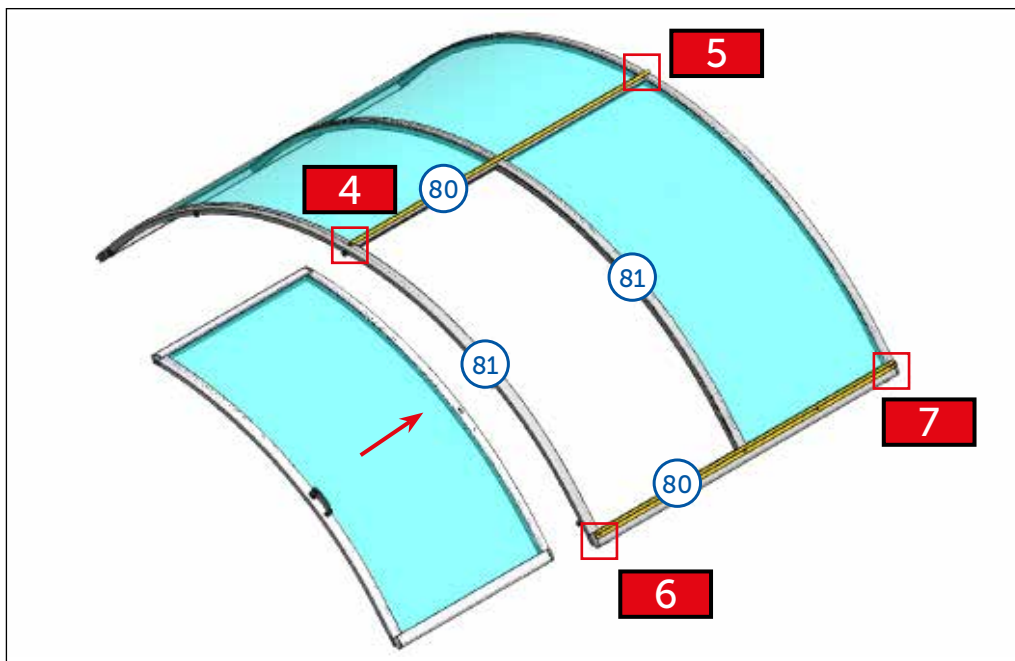


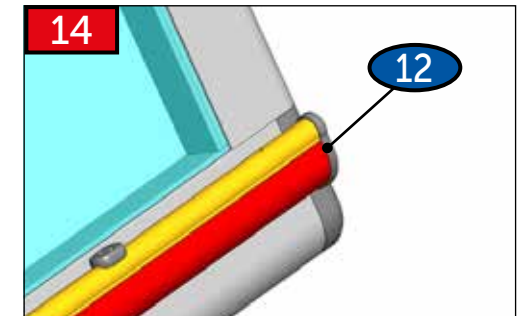
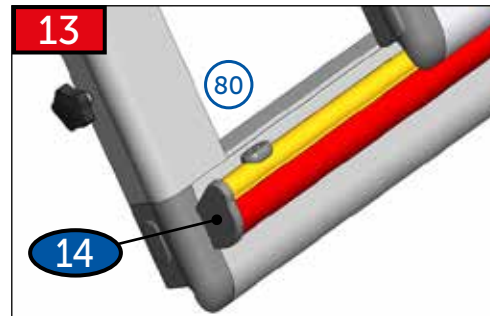
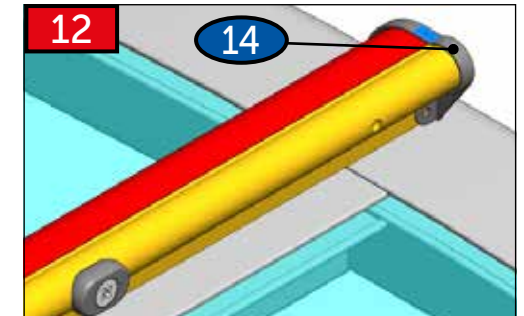
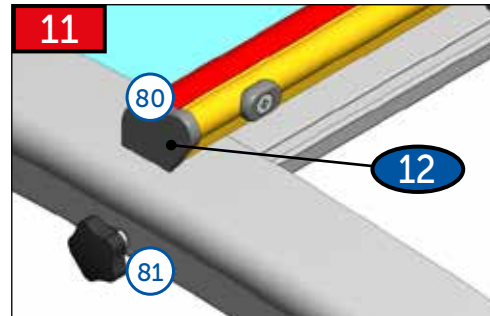
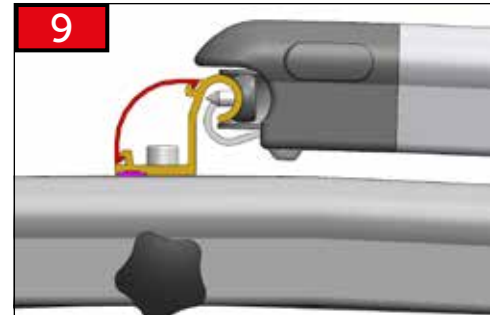
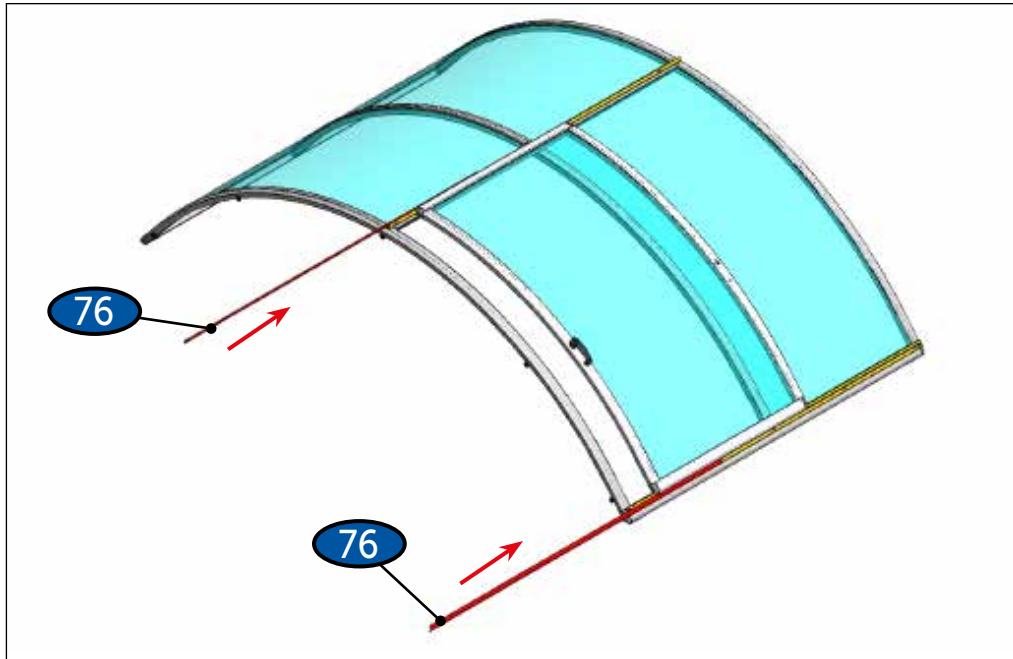


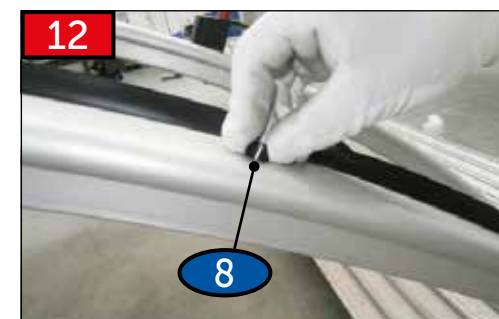
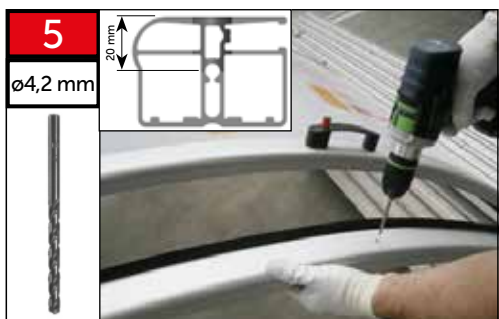


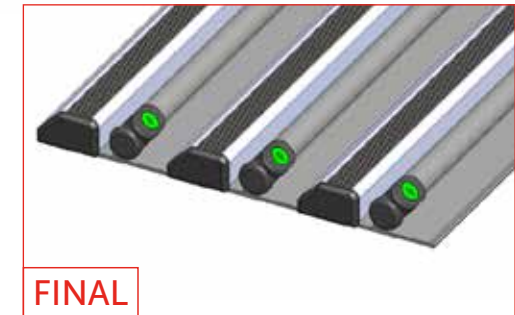
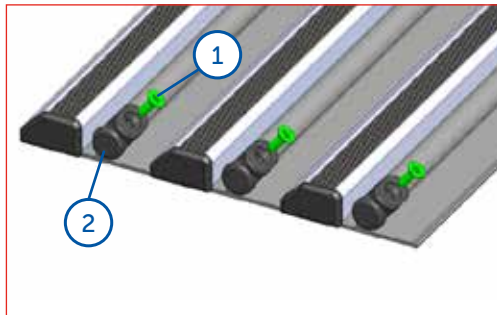
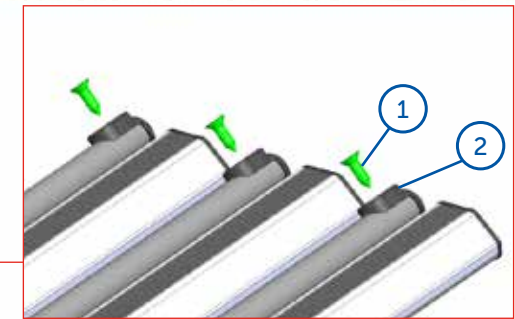
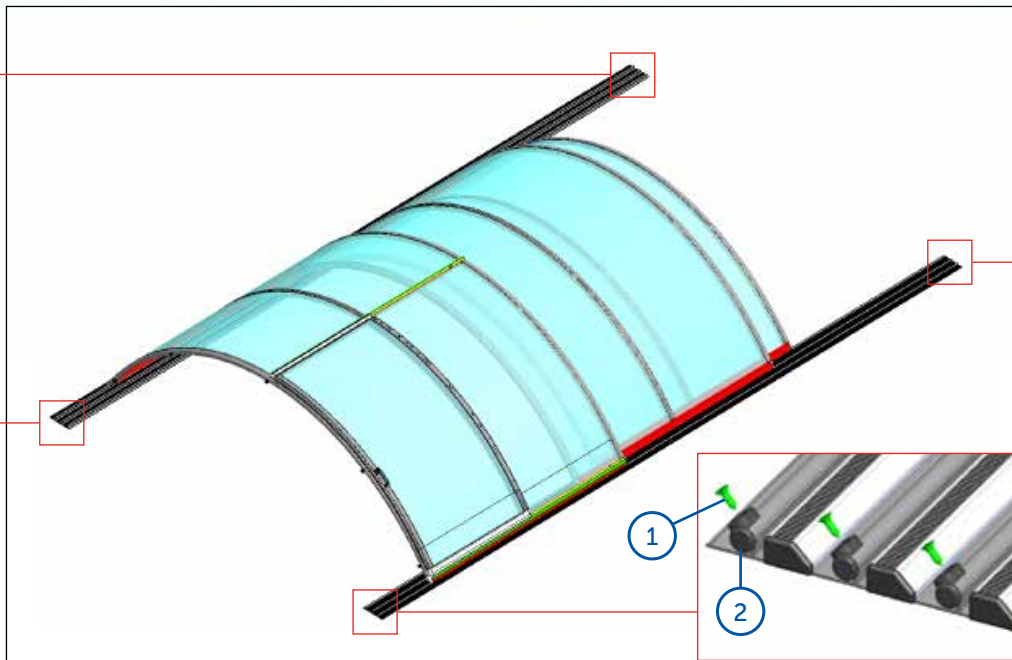
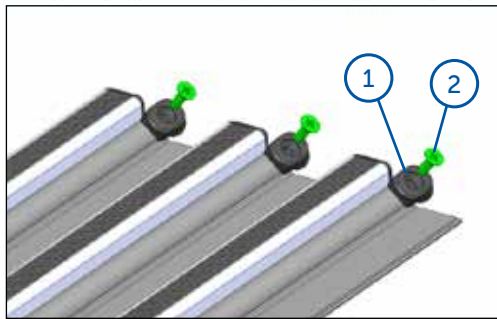
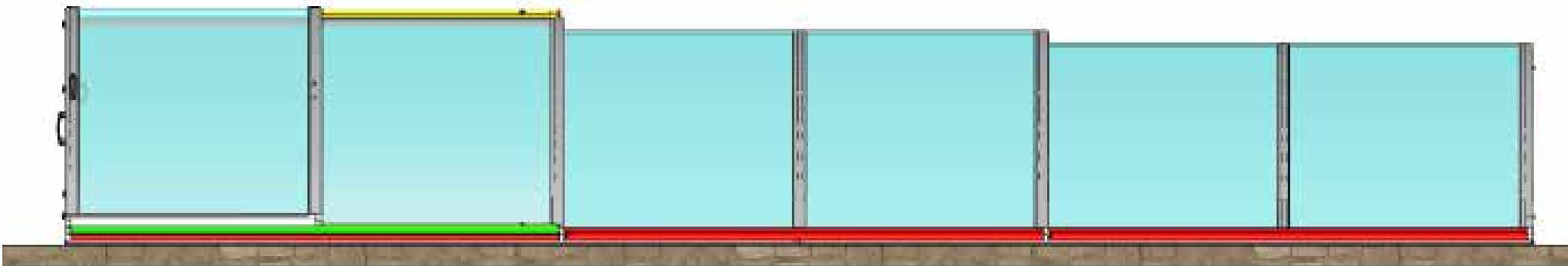
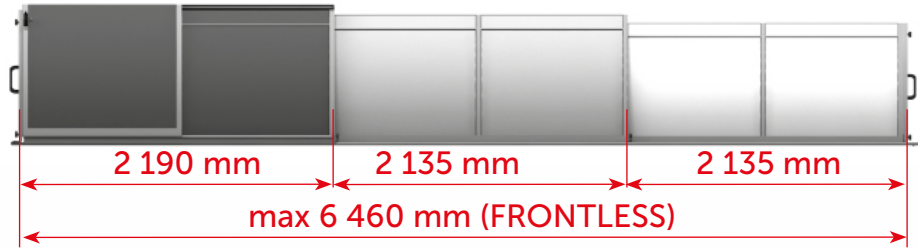


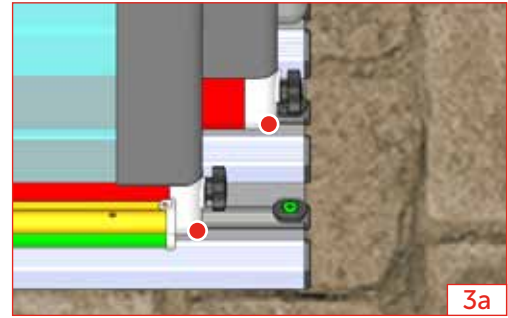
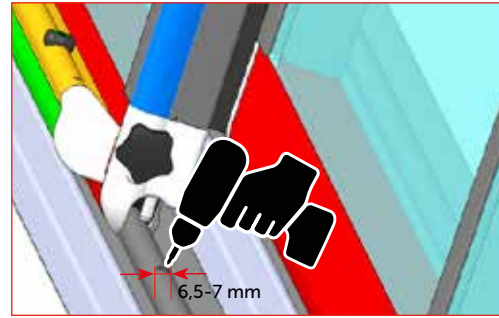
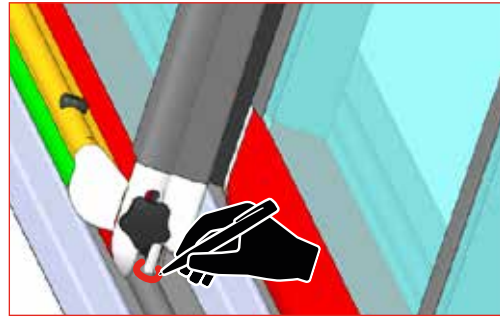
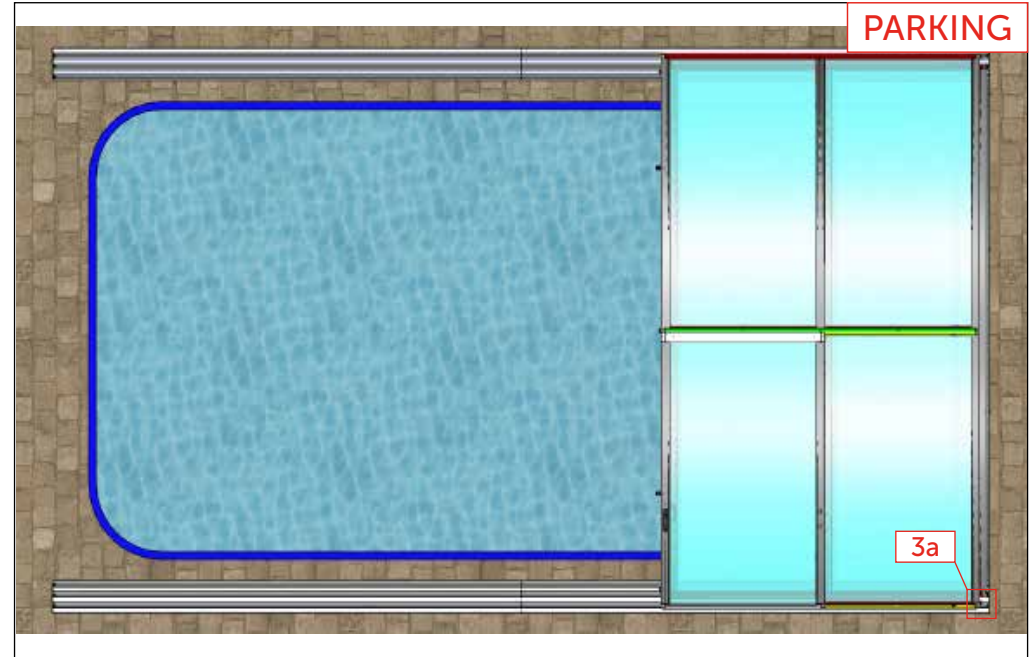
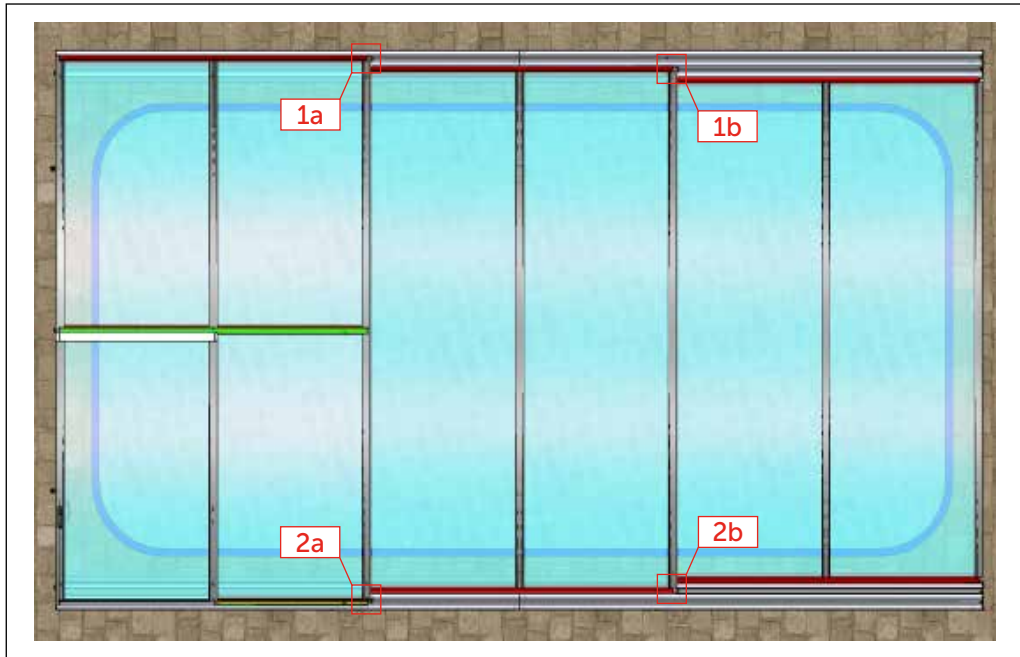
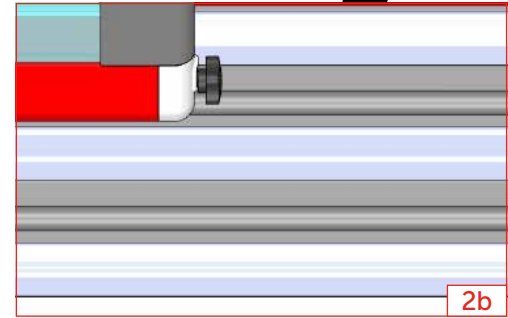
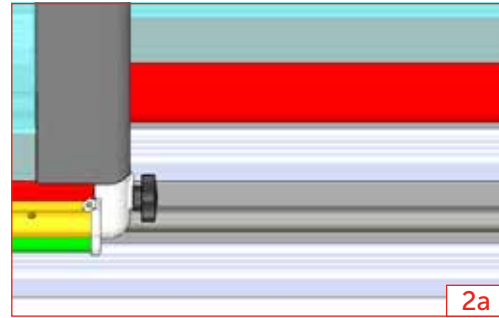
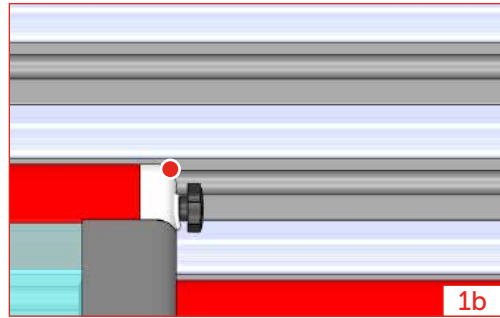
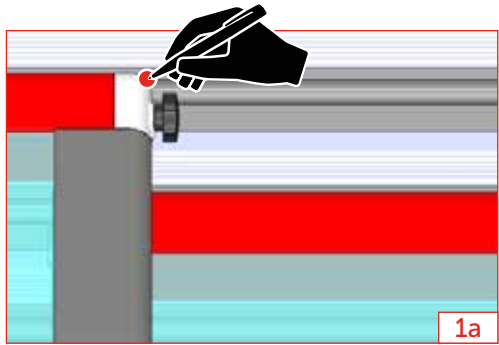


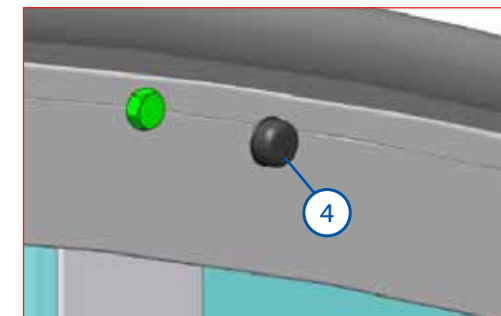
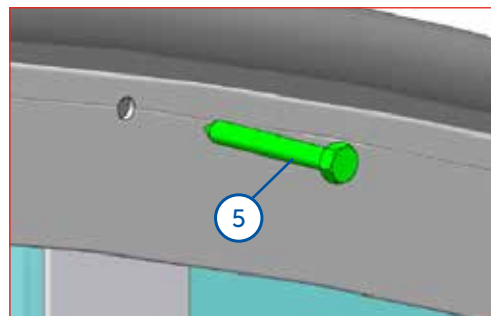
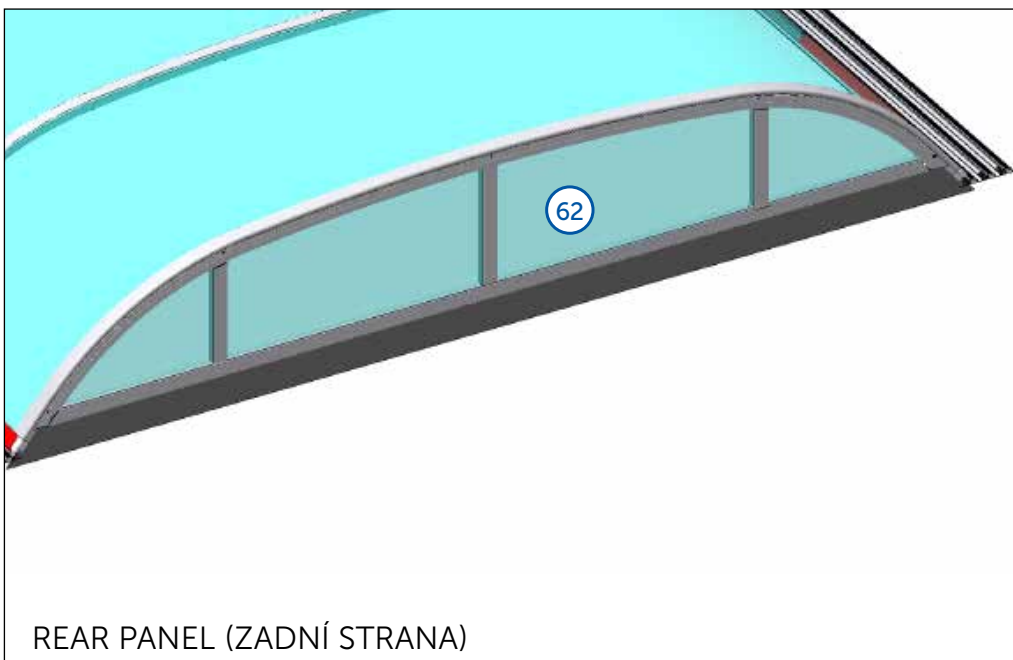
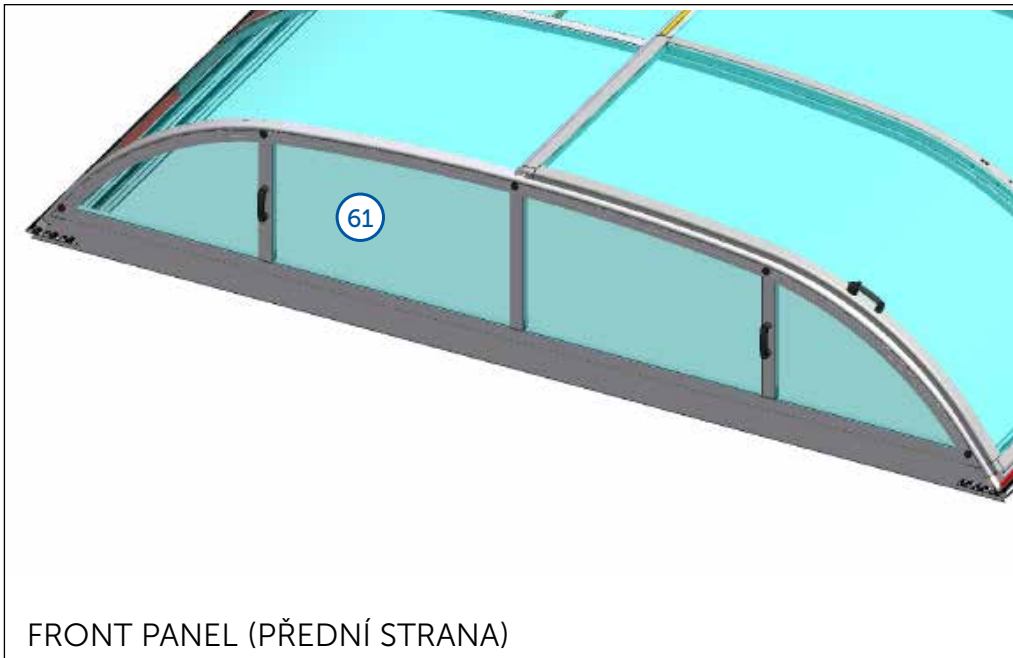












## CZ

Dodavatel si vyhrazuje právo na změny a úpravy technických parametrů uváděných v tomto katalogu s ohledem na technický vývoj a zdokonalení výrobků a balení.  
Dodavatel si vyhrazuje právo na tiskové chyby a chyby v sazbě. Před montáží si pozorně přečtete návod. Návod si uchovejte pro pozdější použití.

## DE

Der Lieferant behält sich das Recht auf Änderungen und Anpassungen der technischen Parameter, die in diesem Katalog aufgeführt sind, mit Rücksicht auf die technische Entwicklung und Verbesserung der Produkte und Verpackung vor. Der Lieferant behält sich das Recht auf Druckfehler und Fehler im Satz vor.  
Vor der Montage lesen Sie bitte die Anleitung sorgfältig durch. Bewahren Sie die Anleitung für spätere Verwendung auf.

## EN

The supplier reserves the right for modifications and adaptations of the technical parameters stated in this catalogue, considering the technical development and upgrade of the products and packaging.  
The supplier reserves the right for print errors and typographical errors. Please read the manual carefully before you will start the installation. Keep the manual for later use.

## ES

El proveedor se reserva el derecho de hacer cambios y modificaciones técnicas de los parámetros que figuran en este catálogo, con respecto al desarrollo técnico mejorando los productos y embalajes.  
El proveedor se reserva también el derecho a errores de impresión y composición. Antes de empezar la instalación, lea atentamente las instrucciones. Guarde las instrucciones para su uso posterior.

## FR

Le fabricant se réserve le droit de modifier les paramètres techniques cités dans ce manuel en considération du développement technique et de l'amélioration des produits et de leur emballage. Le fabricant se réserve le droit des fautes d'impression et de composition. À lire attentivement et à conserver pour une consultation ultérieure.

## HU

Gyártó fenntartja jogát a katalógusban feltüntetett műszaki paraméterek változtatására a termékek és csomagolás technikai fejlesztése és tökéletesítése szerint.  
Szállító: a szállító fenntartja jogát a nyomtatási és szedési hibákra.

## IT

Il fornitore si riserva il diritto di effettuare modifiche e correzioni ai parametri tecnici riportati nel presente catalogo per migliorare e perfezionare dal punto di vista tecnico i prodotti e gli imballaggi.  
Il fornitore non esclude inoltre l'eventuale presenza di errori di stampa e di impaginazione. Prima dell'installazione, leggere attentamente le istruzioni. Tenere l'istruzione per un uso successivo.

## PL

Dostawca zastrzega sobie prawo do zmian oraz dostosowania parametrów technicznych podanych w niniejszym katalogu z uwzględnieniem rozwoju technicznego i udoskonalania produktów oraz opakowań. Dostawca zastrzega sobie prawo do błędów druku oraz typograficznych.

## PT

O provedor reserva-se o direito a efectuar alterações e adaptações de parâmetros técnicos mencionados neste catálogo, tendo em consideração o avanço técnico e melhorias de produtos e embalagens. O provedor reserva-se o direito a cometer erros de impressora e de edição.

## RO

Furnizorul își rezervă dreptul de a modifica și schimba parametrii tehnici menționați în acest catalog cu privire la evoluția tehnică și perfecționarea produselor și a ambalării. Furnizorul își rezervă dreptul la greșelile de tipar și greșelile privind tarifele.

## RU

Поставщик оставляет за собой право на изменение и исправление технических параметров продукции указанной в этом каталоге, с учетом технического развития, а усовершенствования изделий и его упаковки. Поставщик оставляет за собой право на опечатку в тексте и в ценах.  
Перед установкой и эксплуатацией изделия внимательно ознакомьтесь с настоящим руководством. Сохраните данное руководство для дальнейшего использования.