

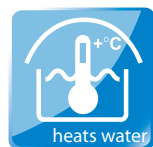
SYDNEY B/BS [PKB 8mm]

SYDNEY B/BS CLEAR [PK 4mm]

[V-02] BOX



VERZE: 27. 08. 2021 / REVIZE: 27. 08. 2021



BG
 Използването на басейна е възможно само с помощта на ALBIXON. Не е позволено използването на басейна без ALBIXON. Не е позволено използването на басейна без ALBIXON. Не е позволено използването на басейна без ALBIXON.

DE
 Schwimmbadüberdachung: keine Installation. Einbau nur durch ALBIXON. Einbau nur durch ALBIXON. Einbau nur durch ALBIXON. Einbau nur durch ALBIXON.

ES
 Cubierta de piscina: instalación obligatoria. Instalación solo por ALBIXON. Instalación solo por ALBIXON. Instalación solo por ALBIXON.

FR
 Hors de piscine: construction obligatoire. Construction uniquement ALBIXON. Construction uniquement ALBIXON. Construction uniquement ALBIXON.

HU
 Medencefedélzet: kötelező szerelés. Szerelés csak ALBIXON. Szerelés csak ALBIXON. Szerelés csak ALBIXON.

CN
 游泳池 遮盖网: 强制安装。 只允许 ALBIXON 安装。 只允许 ALBIXON 安装。 只允许 ALBIXON 安装。

LT
 Šiluminė vėdinimo sistema: privaloma montuoti. Montuoti tik ALBIXON. Montuoti tik ALBIXON. Montuoti tik ALBIXON.

PL
 Zadaszenie basenu: instalacja obowiązkowa. Instalacja tylko ALBIXON. Instalacja tylko ALBIXON. Instalacja tylko ALBIXON.

RU
 Тканевый душ навес: обязательная установка. Установка только ALBIXON. Установка только ALBIXON. Установка только ALBIXON.

SK
 Bazénové zastrešenie: lekárska povinnosť. Len ALBIXON. Len ALBIXON. Len ALBIXON.

CZ
 Bazénové zastrešení: lekárska povinnosť. Len ALBIXON. Len ALBIXON. Len ALBIXON.

DK
 Bædderoverdækning: lægekonklusion. Kun ALBIXON. Kun ALBIXON. Kun ALBIXON.

EE
 Basini kaetmine: arsti soovitusel. Ainult ALBIXON. Ainult ALBIXON. Ainult ALBIXON.

GB
 The swimming pool enclosure: legal requirement. Only ALBIXON. Only ALBIXON. Only ALBIXON.

HR
 Nadstrešnica bazena: lekárska povinnosť. Len ALBIXON. Len ALBIXON. Len ALBIXON.

IT
 Copertura per piscine: costruzione obbligatoria. Solo ALBIXON. Solo ALBIXON. Solo ALBIXON.

LV
 Bāzēnu jumts: obligāta konstrukcija. Tik ALBIXON. Tik ALBIXON. Tik ALBIXON.

RO
 Acoperire pentru piscine: construcție obligatorie. Doar ALBIXON. Doar ALBIXON. Doar ALBIXON.

SE
 Pooltak: lägekonklusion. Endast ALBIXON. Endast ALBIXON. Endast ALBIXON.

SI
 Nadstrešnica za bazen: lekárska povinnosť. Len ALBIXON. Len ALBIXON. Len ALBIXON.



TYP	PRODUKT
KL	SYDNEY - kolej vlevo
	SYDNEY - Rails on the left side only
	SYDNEY - einseitige Schiene links
	SYDNEY - rail d'un seul coté à gauche
	SYDNEY - в исполнении с рельсами с одной стороны - налево

TYP	PRODUKT
KP	SYDNEY - kolej vpravo
	SYDNEY - Rails on the right side only
	SYDNEY - einseitige Schiene rechts
	SYDNEY - rail d'un seul coté à droit
	SYDNEY - в исполнении с рельсами с одной стороны - направо

1SP11-01-032

DIN 7982
4,8 x 13
3x

1

2SZ12-03-021

2x

2

1SZ18-02-001

4x

3

1SZ18-02-002

4x

4

1SZ18-01-097

2x

5

1SP07-01-014

ø4 x 8
4x

6

1SP07-01-001

ø4 x 10
112x

7

1SZ03-01-035

DIN 914
M6x14
4x

8

1SP01-01-016

ø8 x 80
28x

9

1SZ12-01-051

4x

10

1SZ29-01-008

4x

11

1SZ03-01-040

4x

12

1SP11-01-029

AN 9051
6,3 x 50
2x

13

1SP11-01-031

AN 9051
6,3 x 70
50x

14

1SP11-01-027

AN 9051
6,3 x 38
4x

15

1SP11-01-053

AN 9051 A4
6,3 x 32
32x

16



1NA03-01-050

1x
17

1CH02-01-011
1SZ28-01-001

1x
18

1SZ01-02-007 1SP03-01-008 1SP11-01-010

9x 9x 27x

DIN 7982 TX
5,5x45

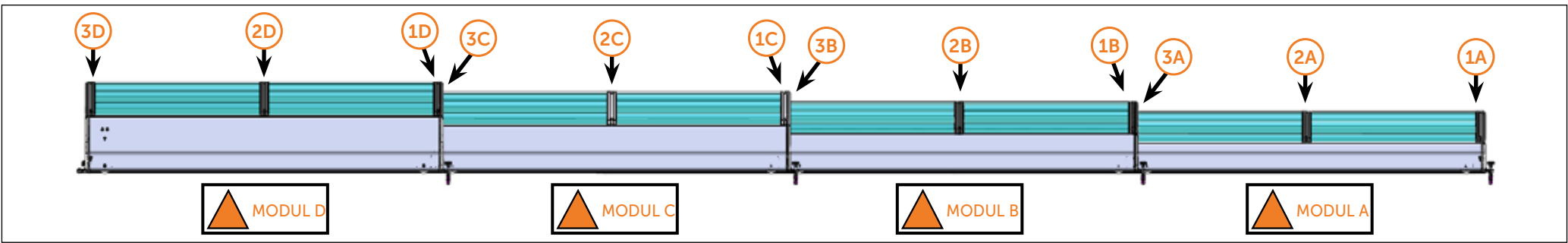
Pouze pro dřevěné a dřevoplastové podlahy
Only for wooden and wood-plastic floors
Nur für Holz- und Holz-Kunststoffböden
Uniquement pour les planchers en bois et en bois-plastique
Только для деревянных и древесно-пластиковых полов

2Z06-03-SD001

9x
19

2Z06-03-SD004

6x
4x
KEY
20



2Z12-03-SM005D - 1A
2Z12-03-SM006D - 2A
2Z12-03-SM007D - 3A

MODUL A

1A	1x	21
2A	1x	22
3A	1x	23

2Z12-03-SM008D - 1B
2Z12-03-SM009D - 2B
2Z12-03-SM010D - 3B

MODUL B

1B	1x	24
2B	1x	25
3B	1x	26

2Z12-03-SM011D - 1C
2Z12-03-SM012D - 2C
2Z12-03-SM013D - 3C

MODUL C

1C	1x	27
2C	1x	28
3C	1x	29



2Z12-03-SM014D - 1D	
2Z12-03-SM015D - 2D	
2Z12-03-SM016D - 3D	

MODUL D		
1D	1x	30
2D	1x	31
3D	1x	32

Sydney BS/ Clear BS 2Z04-01-SD004	906 mm
Sydney B/ Clear B 2Z04-01-SD001	1041 mm

48x
36

Sydney BS/ Clear BS 2Z05-01-SD005	906 mm
Sydney B/ Clear B 2Z05-01-SD001	1041 mm

8x
37

2Z01-01-SD045

A
3230 mm
1x
40

2Z01-01-SD053 - Sydney BS
2Z01-01-SD047 - Sydney B

Sydney BS/ Clear BS	1110 mm
Sydney B/ Clear	2190 mm

B
1x
41



2Z01-01-SD049

D
3230 mm
1x
42

2Z01-01-SD002

D
3230 mm
4x
43

2Z01-01-SD054 - Sydney BS
2Z01-01-SD043 - Sydney B

Sydney BS/ Clear BS	1110 mm
Sydney B/ Clear	2190 mm

B
2x
44

MODUL A 2Z12-03-DP020

215 mm
1x
45

MODUL D 2Z12-03-DP018

397 mm
1x
46

MODUL A 2Z12-03-DP019


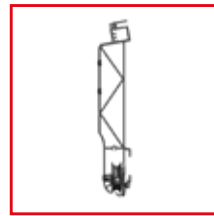
4049 mm
1x
47

MODUL D 2Z12-03-DP017

4469 mm
1x
48



MODUL D


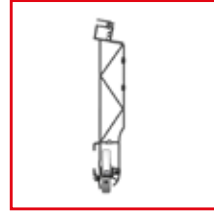



Sydney BS/ Clear BS 2Z02-09-SR017	1880 mm
Sydney B/ Clear B 2Z02-09-SR007	2150 mm

1x

50

MODUL D

Sydney BS/ Clear BS 2Z02-09-SR018	1880 mm
Sydney B/ Clear B 2Z02-09-SR008	2150 mm

1x

51

MODUL C


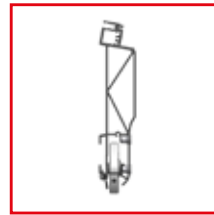



Sydney BS/ Clear BS 2Z02-09-SR015	1880 mm
Sydney B/ Clear B 2Z02-09-SR005	2150 mm

1x

52

MODUL C

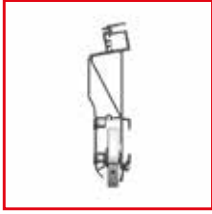
Sydney BS/ Clear BS 2Z02-09-SR016	1880 mm
Sydney B/ Clear B 2Z02-09-SR006	2150 mm

1x

53



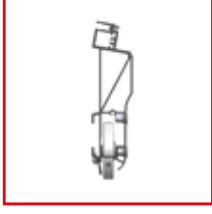
MODUL B



Sydney BS/ Clear BS 2Z02-09-SR013	1880 mm
Sydney B/ Clear B 2Z02-09-SR003	2150 mm

1x
54

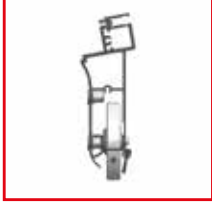
MODUL B



Sydney BS/ Clear BS 2Z02-09-SR014	1880 mm
Sydney B/ Clear B 2Z02-09-SR004	2150 mm

1x
55

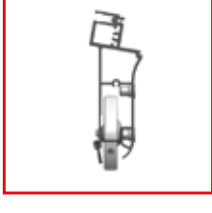
MODUL A



Sydney BS/ Clear BS 2Z02-09-SR011	1880 mm
Sydney B/ Clear B 2Z02-09-SR001	2150 mm

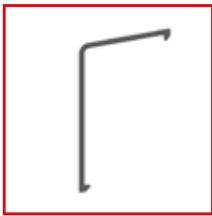
1x
56

MODUL A



Sydney BS/ Clear BS 2Z02-09-SR012	1880 mm
Sydney B/ Clear B 2Z02-09-SR002	2150 mm

1x
57



Sydney BS/ Clear BS 2Z02-09-SD028	1880 mm
Sydney B/ Clear B 2Z02-09-SD027	2150 mm



8x
58

2Z12-02-DK010 - Sydney BS
2Z12-03-DK010 - Sydney B
2Z12-06-DK010 - Sydney BS Clear
2Z12-07-DK010 - Sydney B Clear

Sydney BS/ Clear BS	2040 x 915 mm
Sydney B/ Clear B	2040 x 1050 mm

MODUL A

4x
60

2Z12-02-DK011 - Sydney BS
2Z12-03-DK011 - Sydney B
2Z12-06-DK011 - Sydney BS Clear
2Z12-07-DK011 - Sydney B Clear

Sydney BS/ Clear BS	2110 x 915 mm
Sydney B/ Clear B	2110 x 1050 mm

MODUL B

4x
61

2Z12-02-DK012 - Sydney BS
2Z12-03-DK012 - Sydney B
2Z12-06-DK012 - Sydney BS Clear
2Z12-07-DK012 - Sydney B Clear

Sydney BS/ Clear BS	2180 x 915 mm
Sydney B/ Clear B	2180 x 1050 mm

MODUL C

4x
62

2Z12-02-DK013 - Sydney BS
2Z12-03-DK013 - Sydney B
2Z12-06-DK013 - Sydney BS Clear
2Z12-07-DK013 - Sydney B Clear

Sydney BS/ Clear BS	2251 x 915 mm
Sydney B/ Clear B	2251 x 1050 mm

MODUL D

4x
63

2Z12-03-DK003
2Z12-03-DK004

MODUL A

2x
64

2Z12-11-DK001
2Z12-11-DK002

MODUL D

2x
65



2Z12-03-DO009

MODUL A

2x

66

2Z12-03-DO008

MODUL D

2x

67

⚠ only SYDNEY CLEAR ⚠

2Z12-06-DO010 - Sydney BS Clear
2Z12-07-DO010 - Sydney B Clear

Sydney Clear B/BS	2040 mm
Sydney Clear B	1030 mm
Sydney Clear BS	915 mm

MODUL A

8x

68

2Z12-06-DO011 - Sydney BS Clear
2Z12-07-DO011 - Sydney B Clear

Sydney Clear B/BS	2110 mm
Sydney Clear B	1030 mm
Sydney Clear BS	915 mm

MODUL B

8x

69

2Z12-06-DO012 - Sydney BS Clear
2Z12-07-DO012 - Sydney B Clear

Sydney Clear B/BS	2180 mm
Sydney Clear B	1030 mm
Sydney Clear BS	915 mm

MODUL C

8x

70

2Z12-06-DO013 - Sydney BS Clear
2Z12-07-DO013 - Sydney B Clear













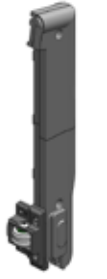
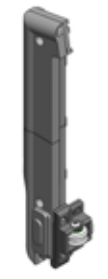

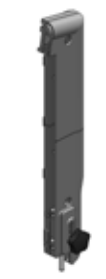
Sydney Clear B/BS	2251mm
Sydney Clear B	1030 mm
Sydney Clear BS	915 mm

MODUL D

8x


71



MODUL A  2Z09-01-SD016 1x 72	MODUL A  2Z09-01-SD017 1x 73	MODUL A  2Z09-01-SD018 1x 74	MODUL A  2Z09-01-SD019 1x 75
MODUL B  2Z09-01-SD012 1x 76	MODUL B  2Z09-01-SD013 1x 77	MODUL B  2Z09-01-SD014 1x 78	MODUL B  2Z09-01-SD015 1x 79
MODUL C  2Z09-01-SD058 1x 80	MODUL C  2Z09-01-SD059 1x 81	MODUL C  2Z09-01-SD060 1x 82	MODUL C  2Z09-01-SD061 1x 83
MODUL D  2Z09-01-SD054 1x 84	MODUL D  2Z09-01-SD055 1x 85	MODUL D  2Z09-01-SD056 1x 86	MODUL D  2Z09-01-SD057 1x 87




2Z09-01-SD020



1x

88


2Z09-01-SD021



1x

89


2Z09-01-SD003



6x

90


1SP10-01-077



DIN 912
M 5x65
4x

91


1SP10-01-084



ISO 7380
M 6x20
12x

92


1SZ18-02-010



8x

93


1SZ18-02-012



16x

94


1SP11-01-049



AN 9051
4,8x60
24x

95


1SP10-01-078



DIN 912
M 6x65
16x

96


1SP10-01-082



DIN 912
M 6x100
16x

97


1SZ03-01-038



8x

98


1SZ03-01-030



16x

99

1SZ12-01-010



28x

100

1SZ12-01-012



4x

101


2Z06-03-SD003



2x

102

1SZ29-01-009



∅ 10,2 mm
4x

103


1SZ12-01-052



4x



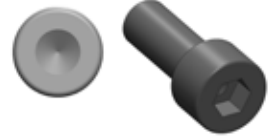

104

1SP11-01-050




AN 9051
4,8x19
2x

105

1SZ04-01-019	1SZ04-01-026	1SP10-01-116	1SP08-01-015
			
A	B	C	D
		DIN 912 M8x20	DIN 440R M8
			2x
			106

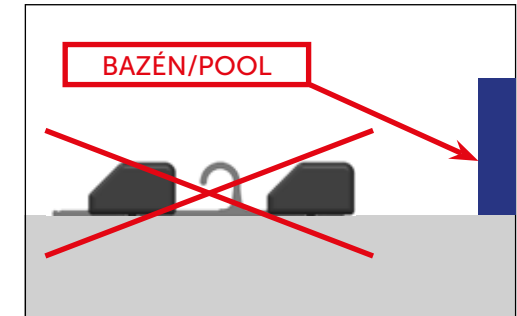
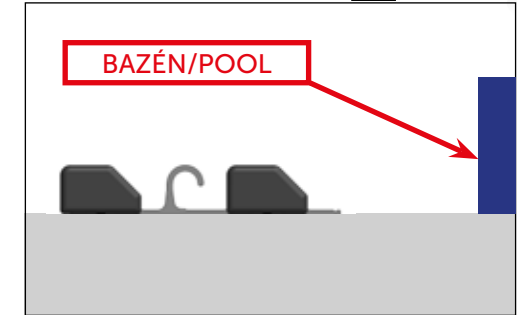
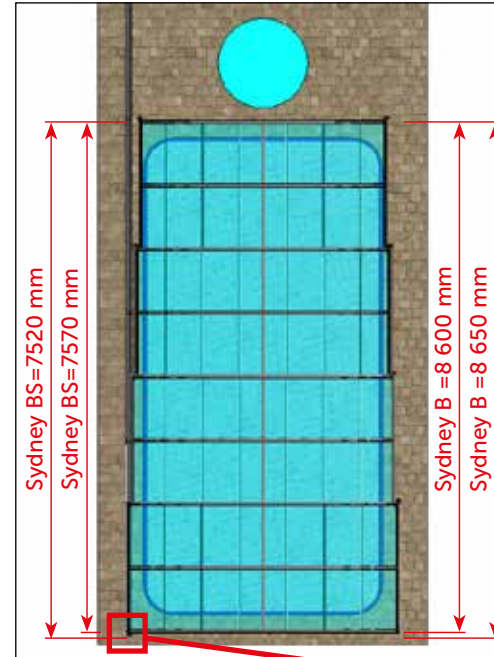
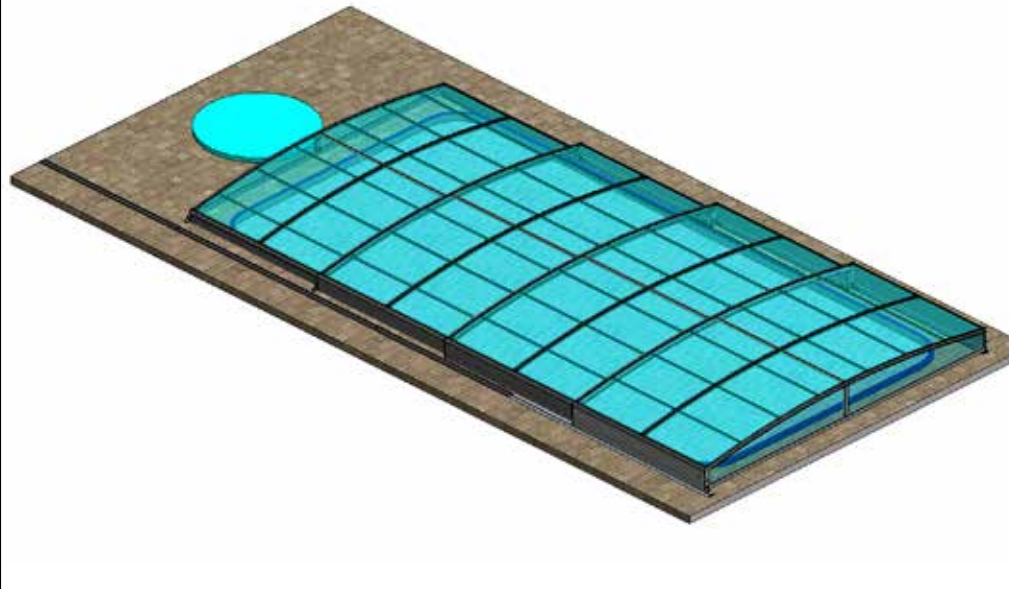
1SZ12-03-020



1x

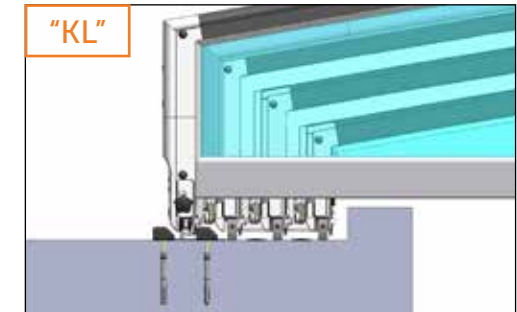
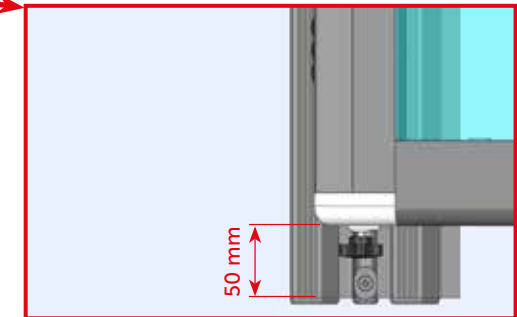
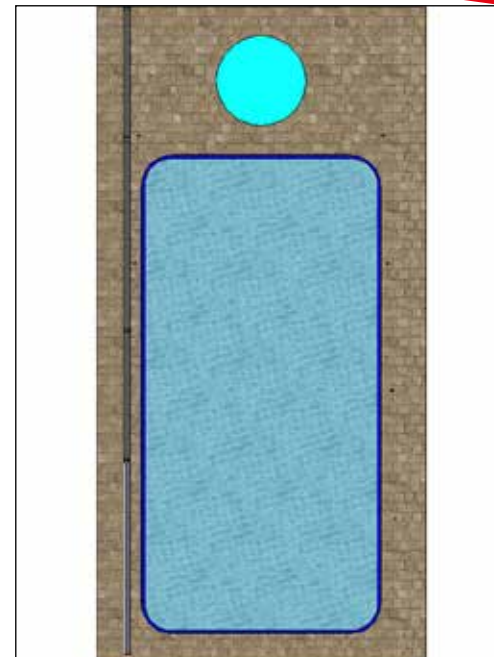
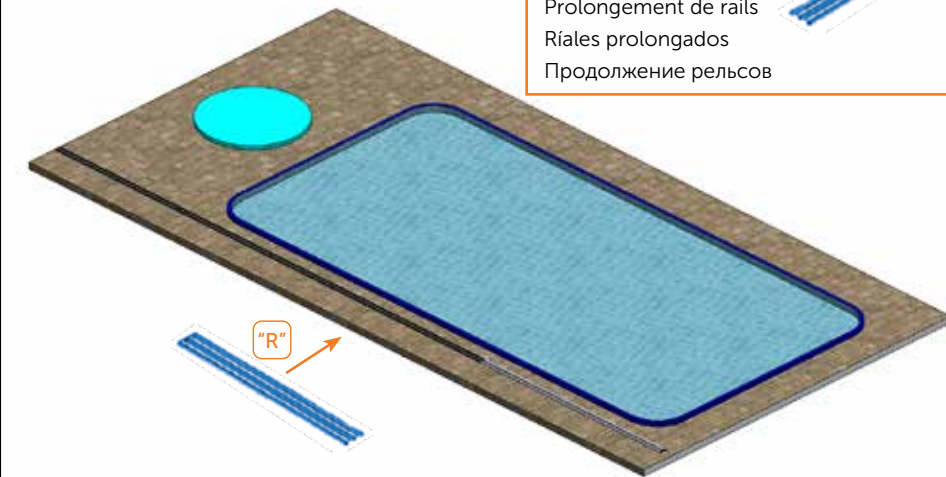
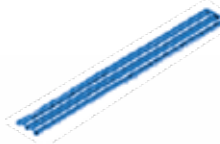
107

OPTIONAL "KL"

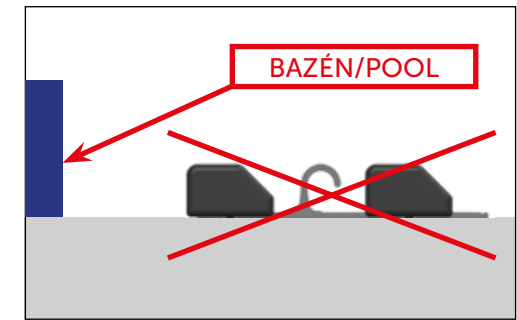
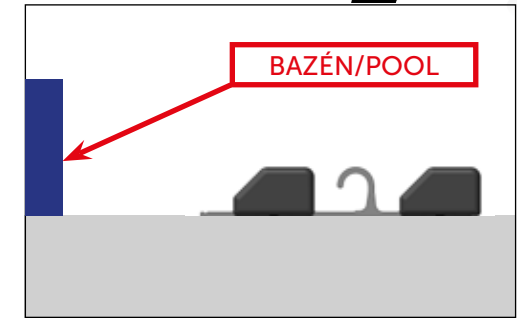
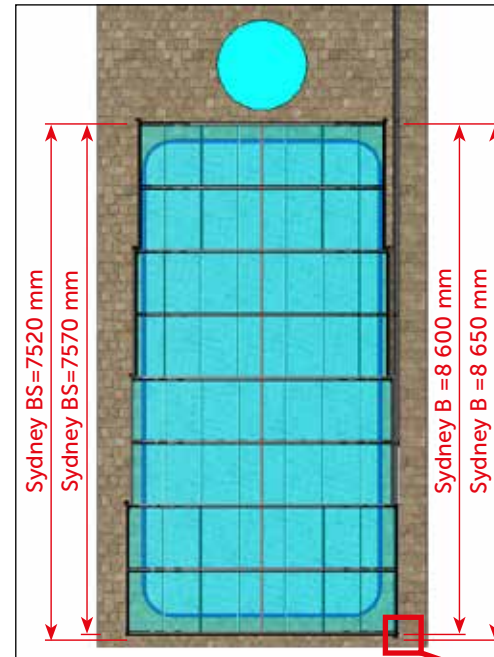
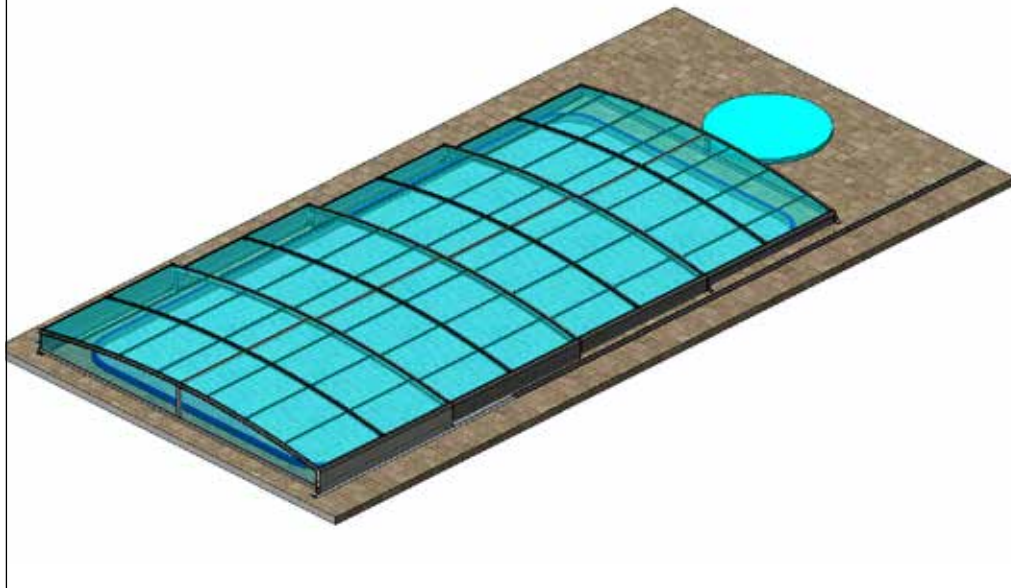


OPTIONAL "R"

- Prodloužení kolejí
- Rail extension
- Schienenverlängerung
- Prolongement de rails
- Riales prolongados
- Продолжение рельсов

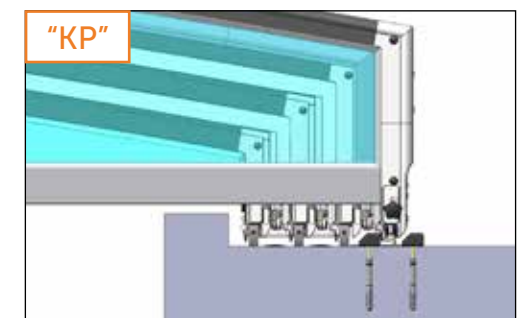
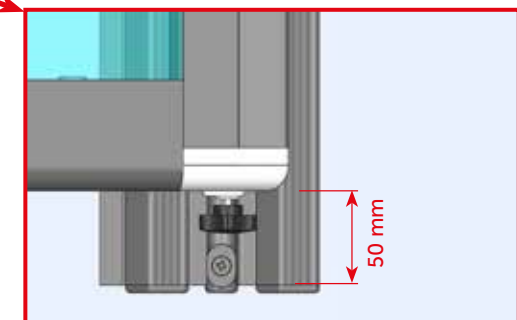
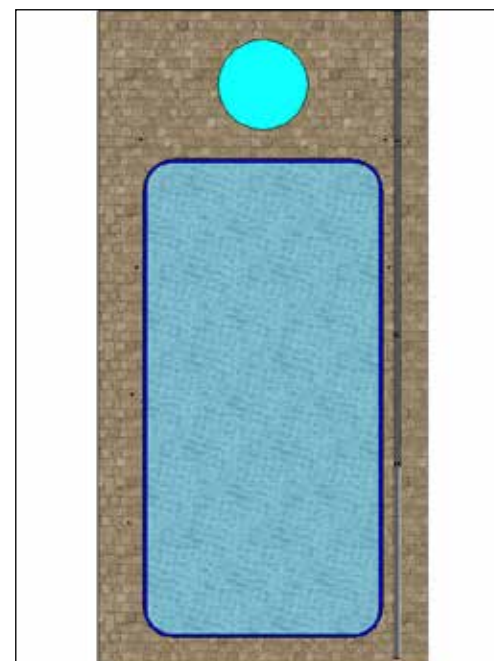
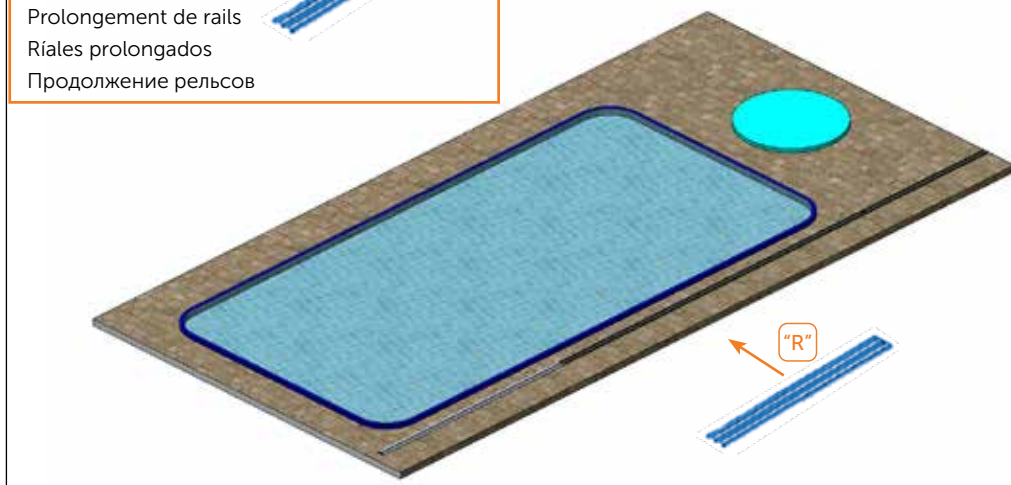
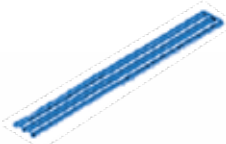


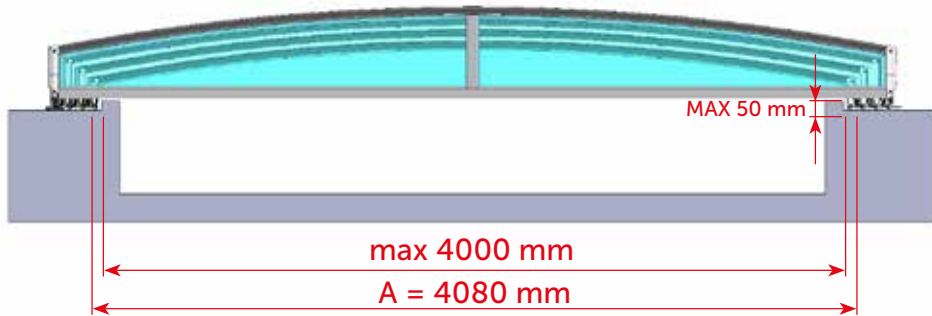
OPTIONAL "KP"



OPTIONAL "R"

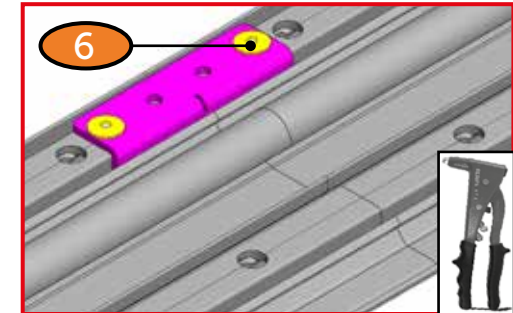
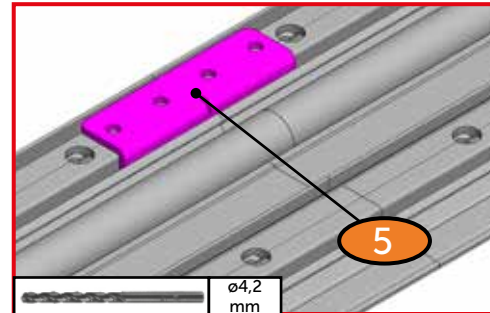
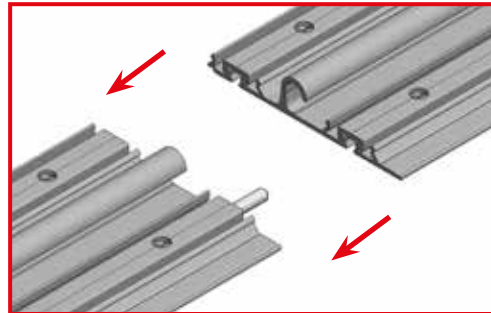
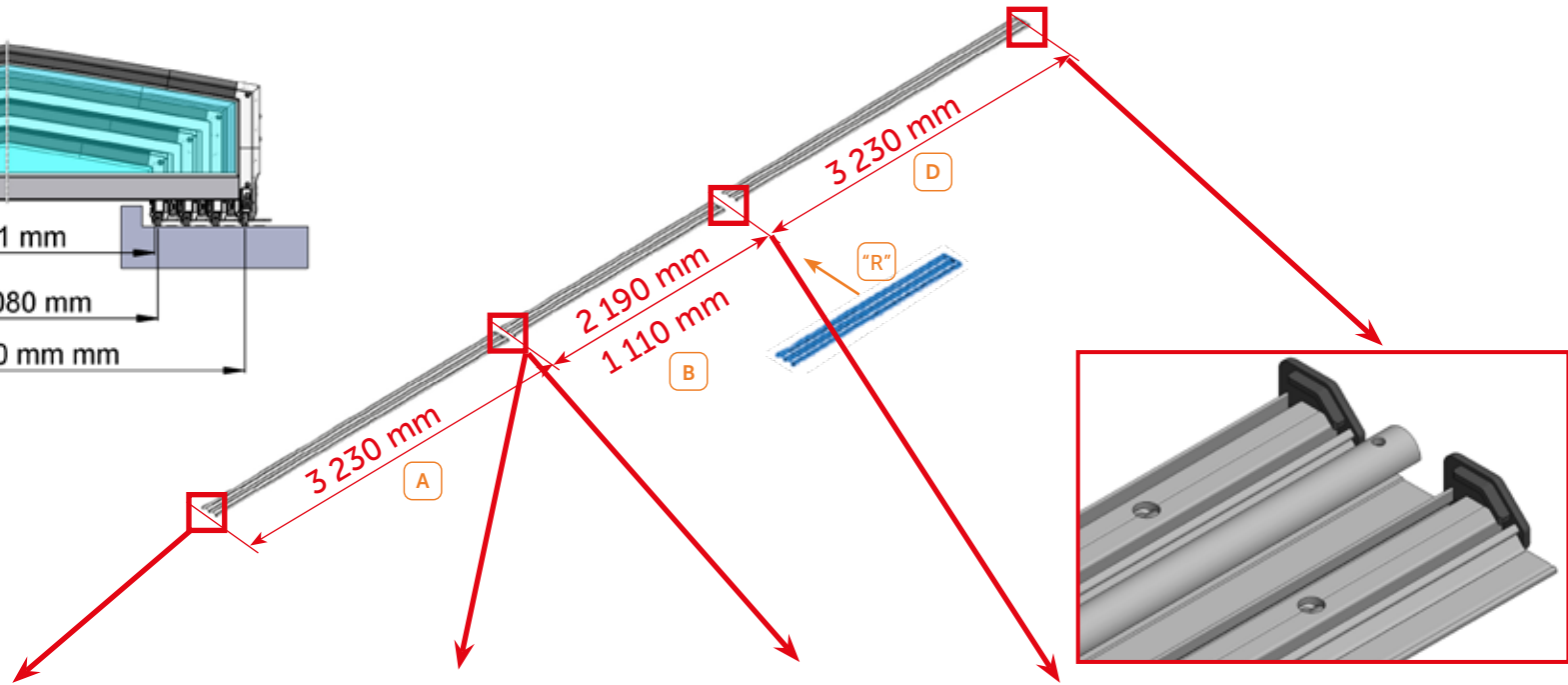
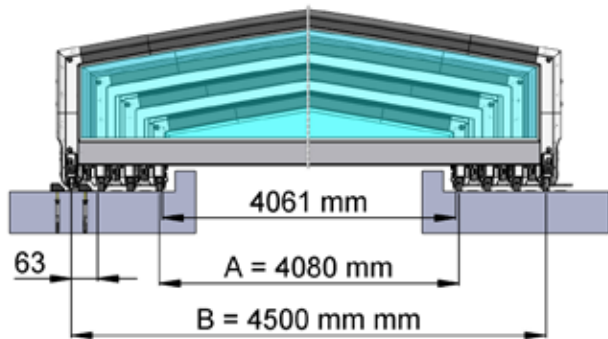
- Prodloužení koleji
- Rail extension
- Schienenverlängerung
- Prolongement de rails
- Riales prolongados
- Продолжение рельсов

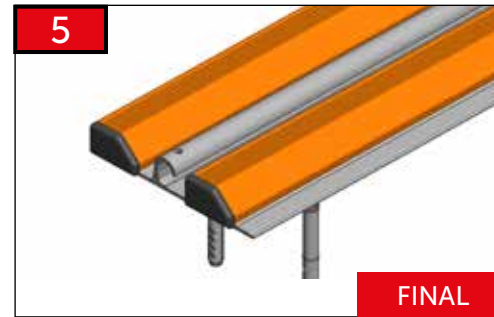
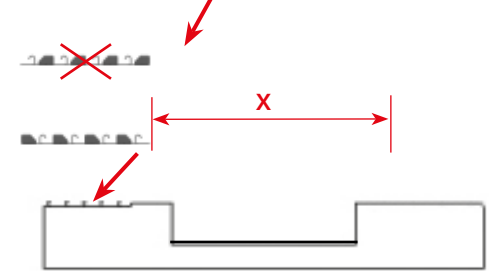
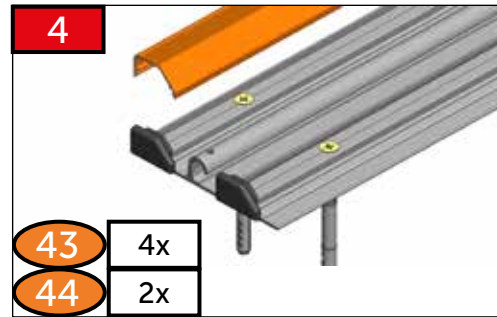
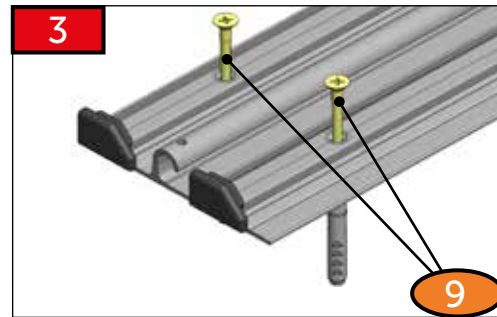
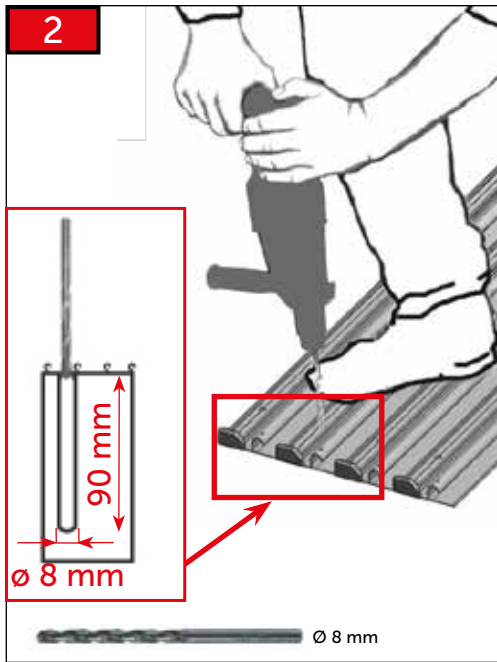
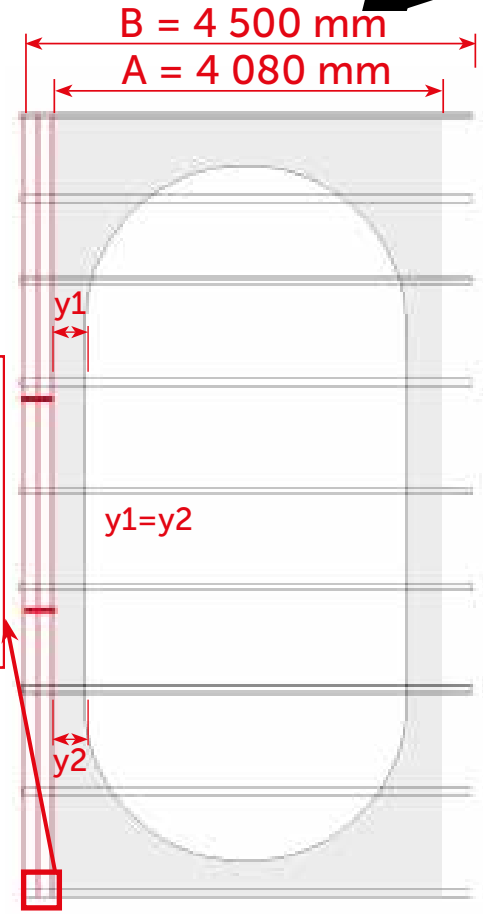
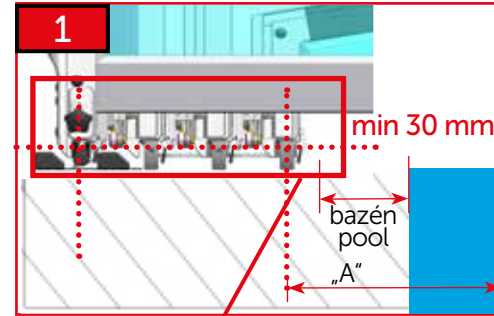
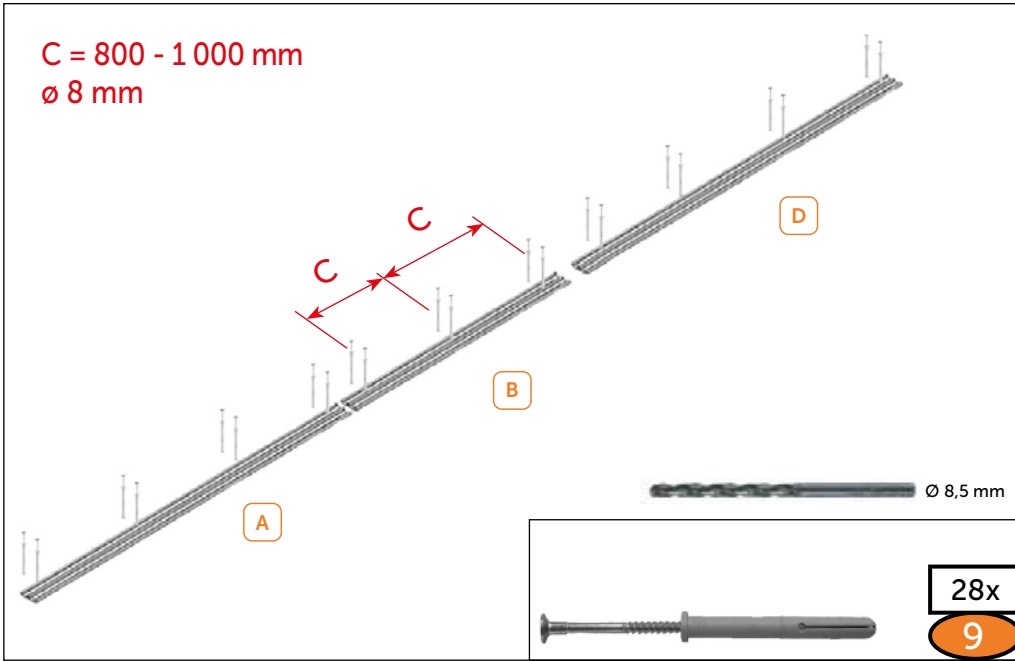




OPTIONAL

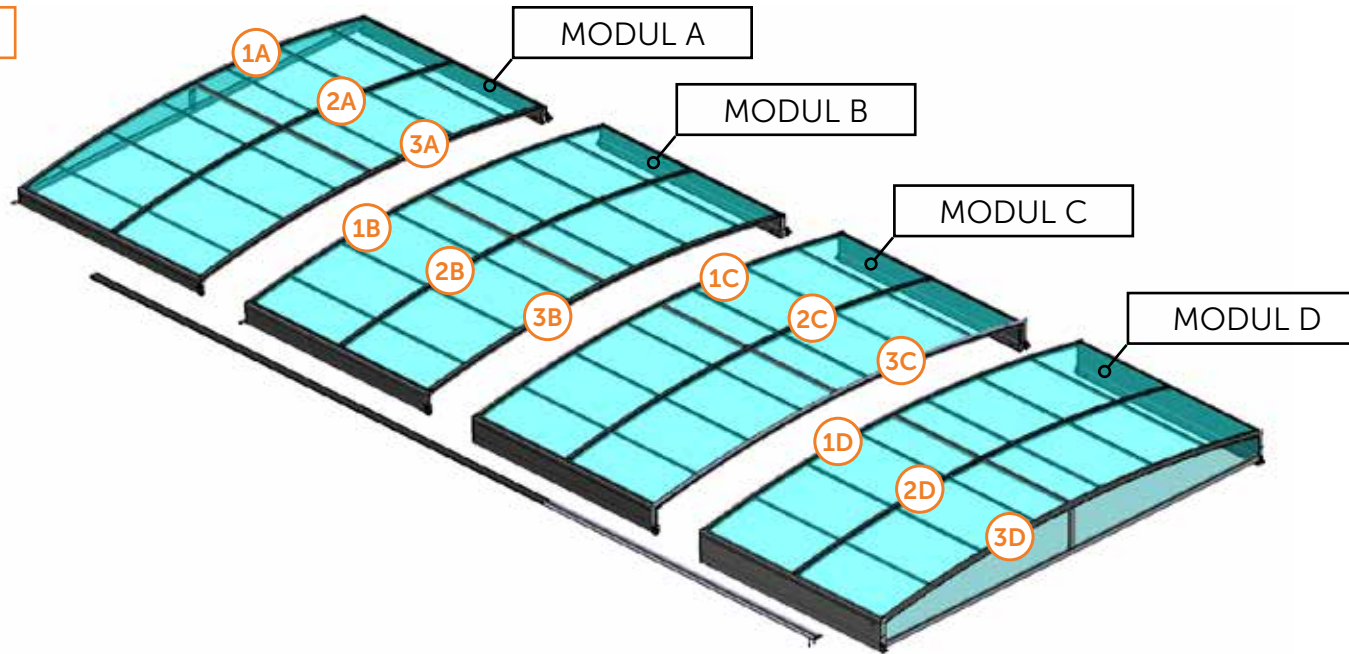
- Prodloužení kolejí
- Rail extension
- Schienenverlängerung
- Prolongement de rails
- Ríales prolongados
- Продолжение рельсов



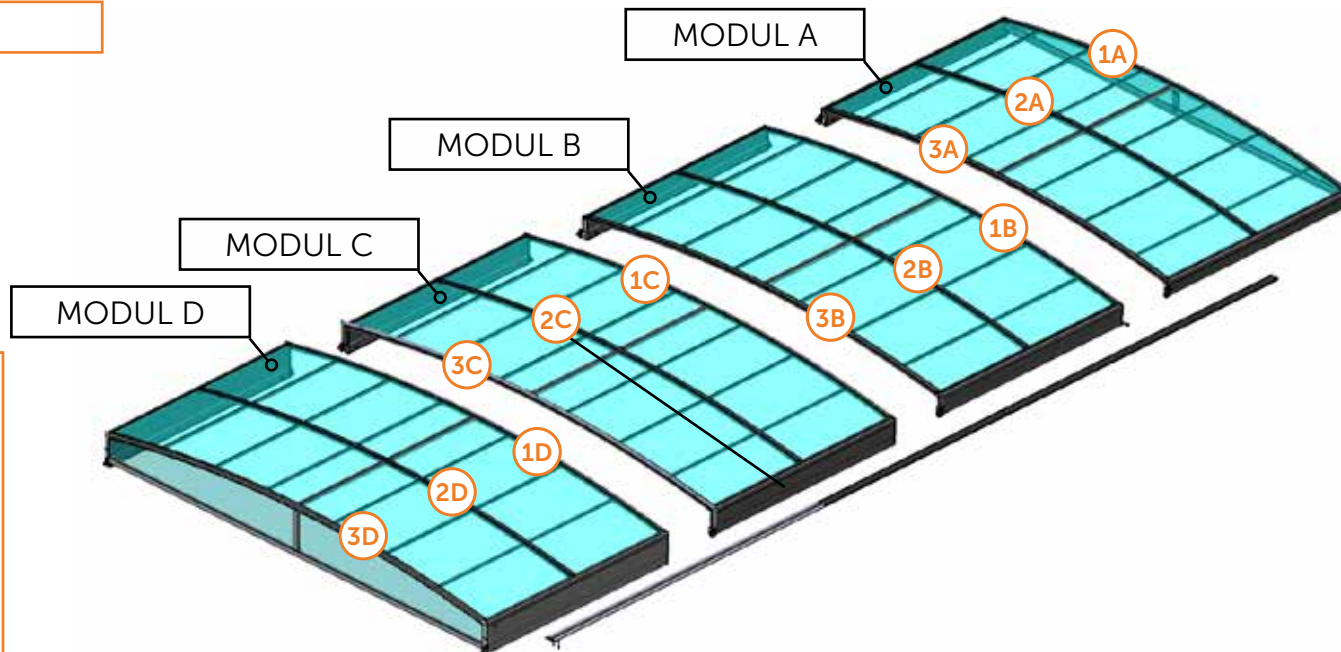




OPTIONAL "KL" - STANDARD

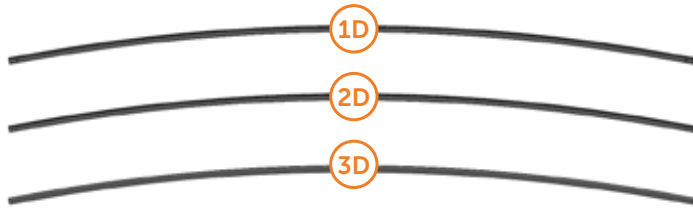


OPTIONAL "KP"



MODUL D

- KL → KP
- = výměna koleček v profilech
- = changing wheels in profiles
- = Radwechsel in Profilen
- = changement de roues dans les profils
- = смена колес в профилях



1SP07-01-001

ø4 x 10

28x

7

1SZ03-01-035

DIN 914

M6x14

2x

8

1SZ29-01-008

2x

11

1SZ03-01-040

2x

12

1SP11-01-029

AN 9051

6,3 x 50

1x

13

1SP11-01-031

AN 9051

6,3 x 70

13x

14

1SP11-01-027

AN 9051

6,3 x 38

2x

15

1SP11-01-053

AN 9051 A4

6,3 x 32

8x

16

1NA03-01-050

1x

17

Sydney BS/ Clear BS 2Z04-01-SD004	906 mm
Sydney B/ Clear B 2Z04-01-SD001	1041 mm

12x

36

Sydney BS/ Clear BS 2Z05-01-SD005	906 mm
Sydney B/ Clear B 2Z05-01-SD001	1041 mm

2x

37

2Z12-03-DP018

397 mm

1x

46

2Z12-03-DP017

4469 mm

1x

48

OPTIONAL "KL" - STANDARD

Sydney BS/ Clear BS 2Z02-09-SR017	1880 mm
Sydney B/ Clear B 2Z02-09-SR007	2150 mm

1x

50

OPTIONAL "KL" - STANDARD

Sydney BS/ Clear BS 2Z02-09-SR018	1880 mm
Sydney B/ Clear B 2Z02-09-SR008	2150 mm

1x

51

Sydney BS/ Clear BS 2Z02-09-SD028	1880 mm
Sydney B/ Clear B 2Z02-09-SD027	2150 mm

2x

58

Sydney BS/ Clear BS	2251 x 915 mm
Sydney B/ Clear B	2251 x 1050 mm

MODUL D

4x

63

2x

65

2x

67

2Z09-01-SD056

1x
















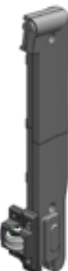
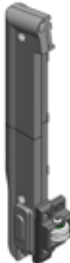


86

2Z09-01-SD057

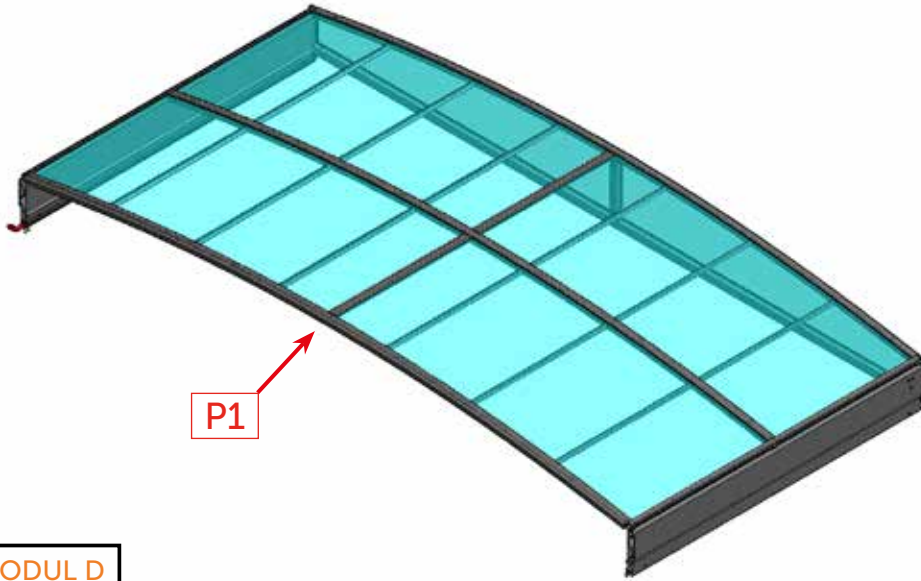
1x

87



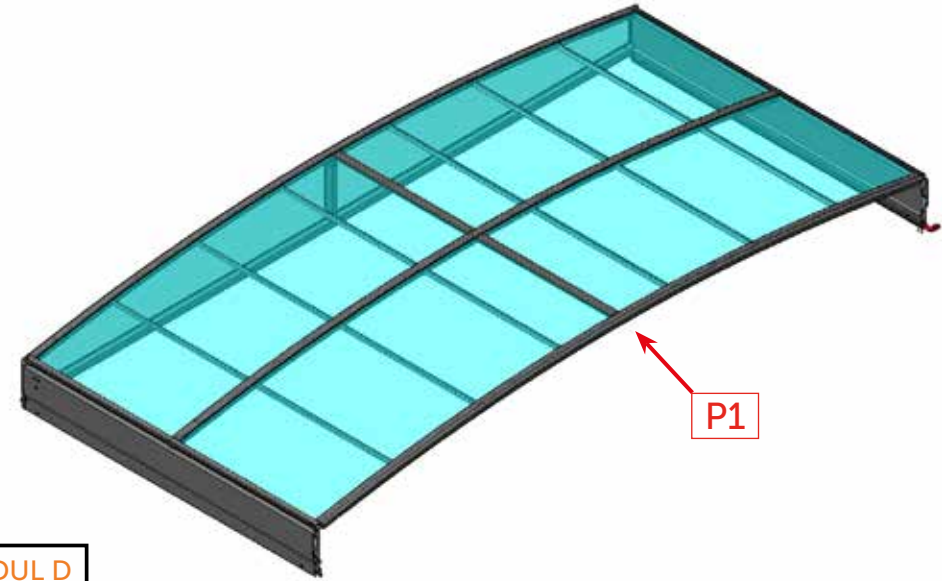
<p>2Z09-01-SD020</p>  <p>1x</p> <p>88</p>	<p>2Z09-01-SD021</p>  <p>1x</p> <p>89</p>	<p>1SP10-01-077</p>  <p>DIN 912 M 5x65</p> <p>2x</p> <p>91</p>	<p>1SP10-01-084</p>  <p>ISO 7380 M 6x20</p> <p>2x</p> <p>92</p>	<p>1SZ18-02-010</p>  <p>2x</p> <p>93</p>	<p>1SZ18-02-012</p>  <p>4x</p> <p>94</p>	<p>1SP11-01-049</p>  <p>AN 9051 4,8x60</p> <p>6x</p> <p>95</p>	<p>1SP10-01-078</p>  <p>DIN 912 M 6x65</p> <p>4x</p> <p>96</p>
<p>1SP10-01-082</p>  <p>DIN 912 M 6x100</p> <p>4x</p> <p>97</p>	<p>1SZ03-01-038</p>  <p>2x</p> <p>98</p>	<p>1SZ03-01-030</p>  <p>4x</p> <p>99</p>	<p>1SZ12-01-010</p>  <p>8x</p> <p>100</p>	<p>1SZ12-01-052</p>  <p>2x</p> <p>104</p>	<p>1SP11-01-050</p>  <p>AN 9051 4,8x19</p> <p>2x</p> <p>105</p>	<p>1SZ12-01-051</p>  <p>2x</p> <p>10</p>	
<p>2Z09-01-SD054</p>  <p>1x</p> <p>84</p>	<p>2Z09-01-SD055</p>  <p>1x</p> <p>85</p>						
<p>OPTIONAL "KL"</p> <p>1SZ18-02-001</p>  <p>1x</p> <p>3</p>	<p>OPTIONAL "KP"</p> <p>1SZ18-02-002</p>  <p>1x</p> <p>4</p>						

OPTIONAL "KL" - STANDARD

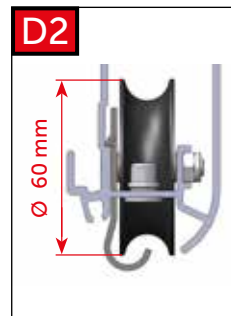
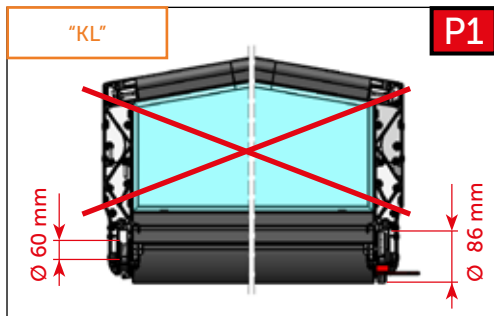
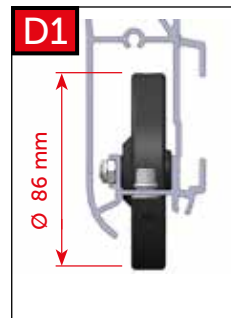
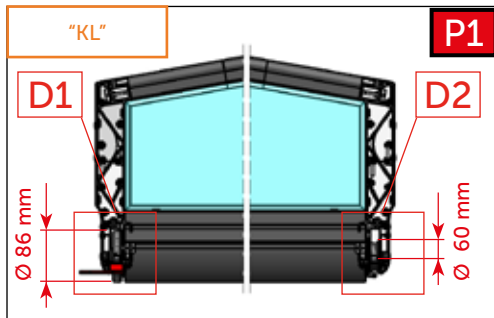


MODUL D

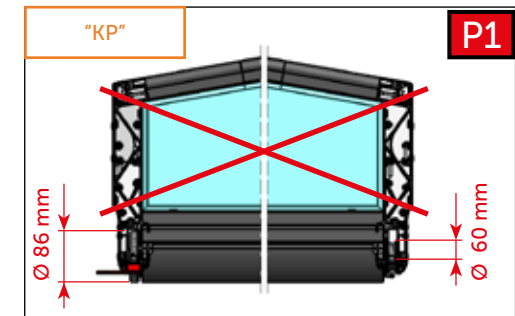
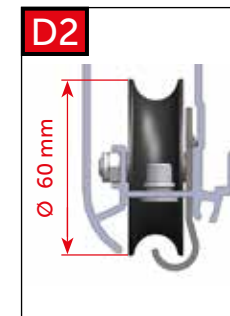
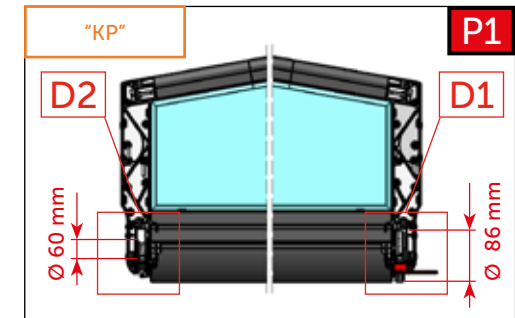
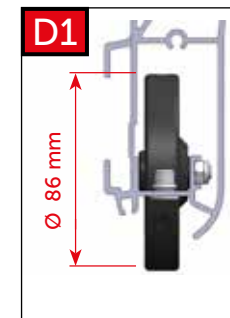
OPTIONAL "KP"



MODUL D



KL → KP
 = výměna koleček v profilech
 = changing wheels in profiles
 = Radwechsel in Profilen
 = changement de roues dans les profils
 = смена колес в профилях



1 KL → KP

1a

- = demontáž
- = disassembly
- = Demontage
- = démontage
- = удаление

1x
50

1

4a

- = demontáž
- = disassembly
- = Demontage
- = démontage
- = удаление

1x
51

1a

2

4a

5

3

1 KL → KP

1a

1a

- = montáž
- = montage
- = Montage
- = assemblage
- = монтаж

1x

50

1

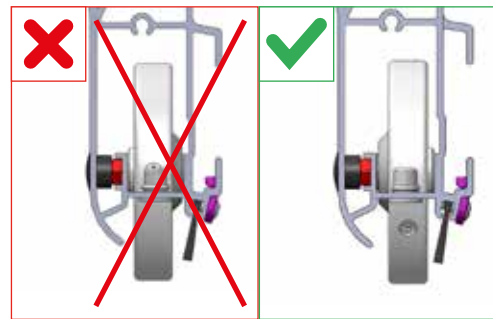
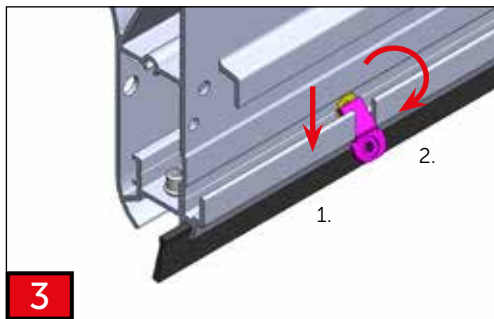
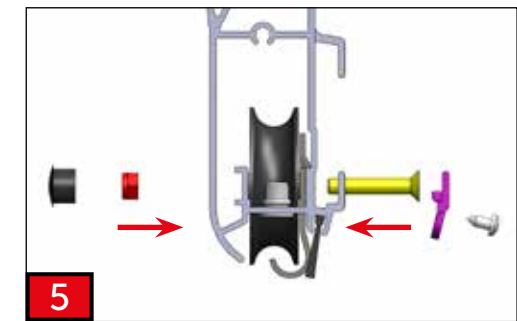
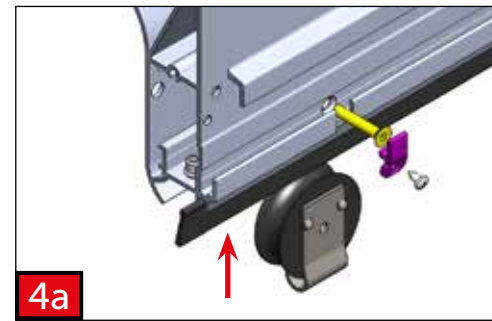
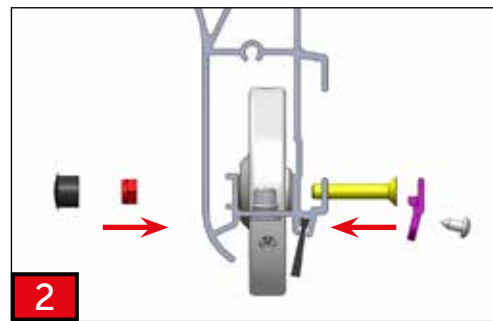
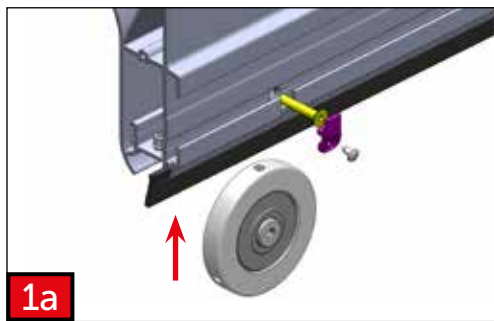
4a

4a

- = montáž
- = montage
- = Montage
- = assemblage
- = монтаж

1x

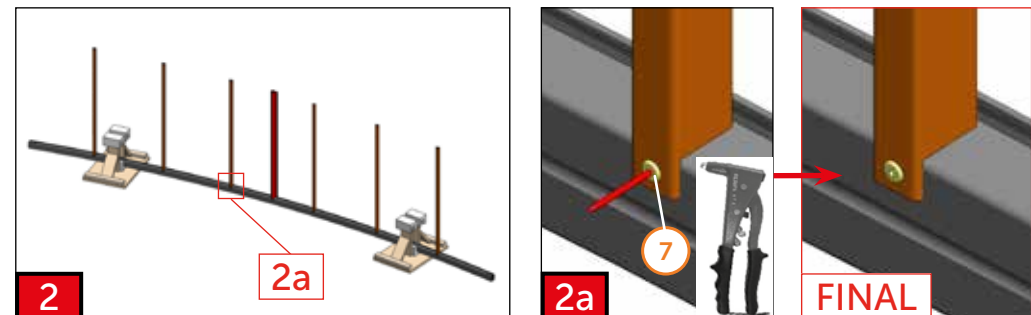
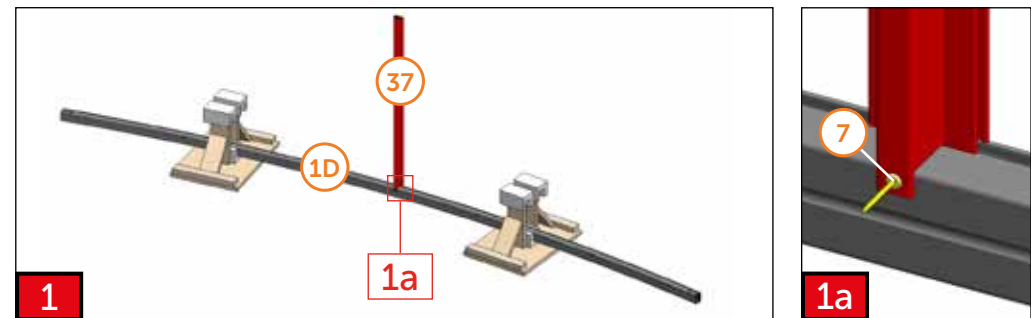
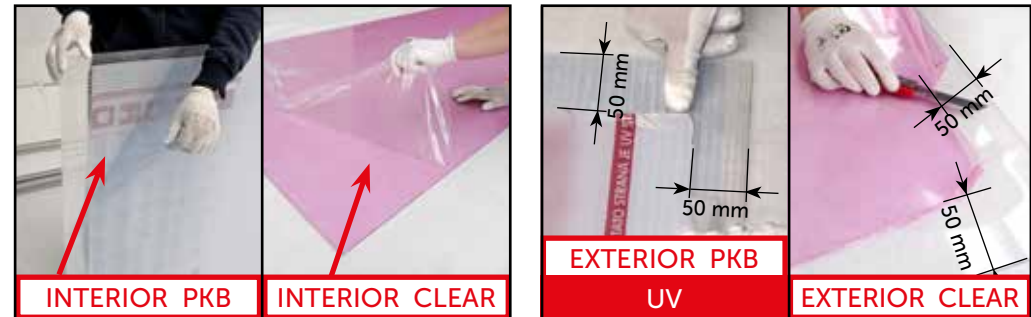
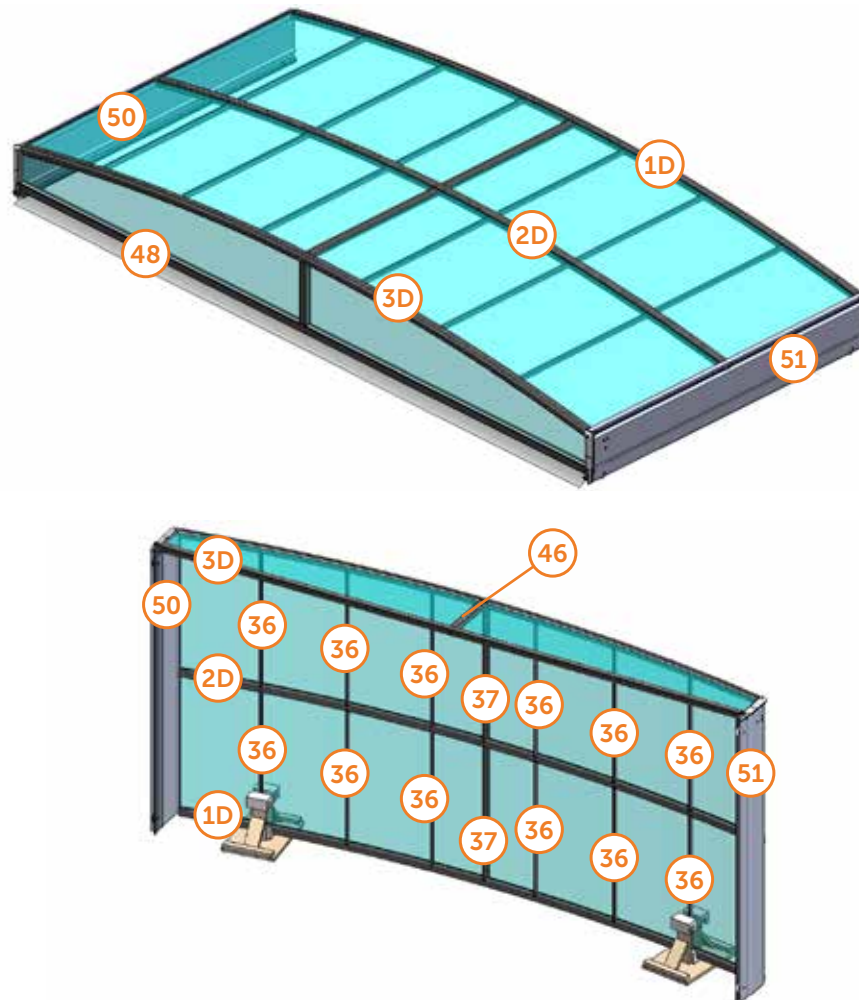
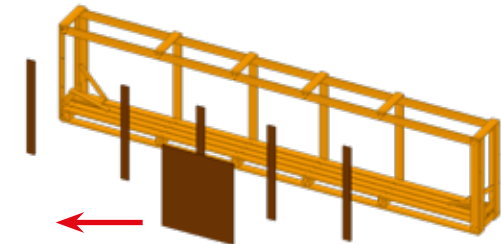
51

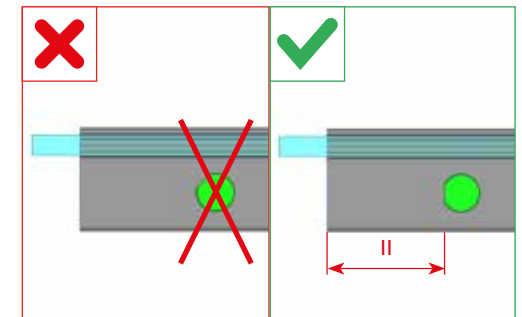
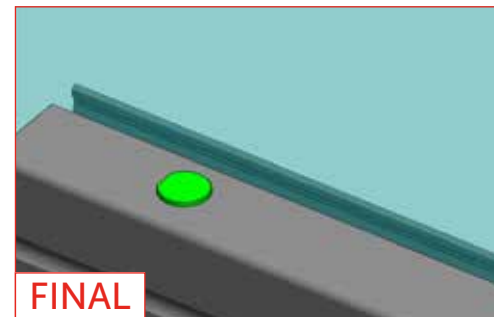
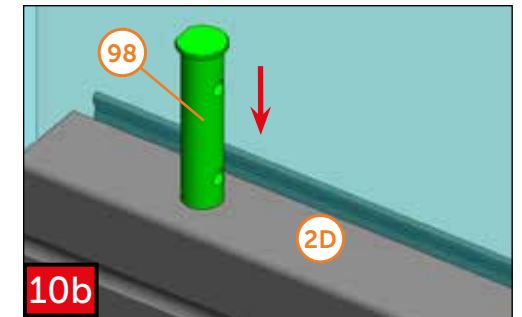
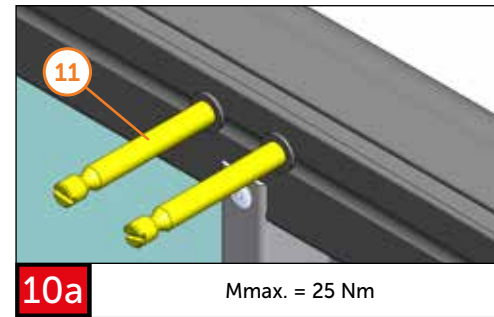
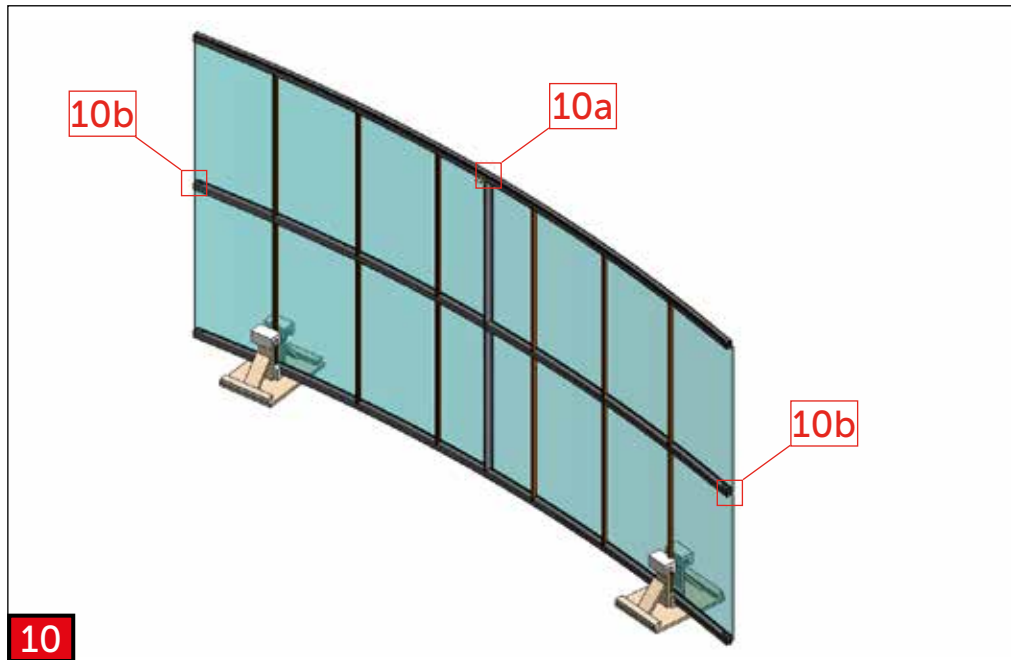
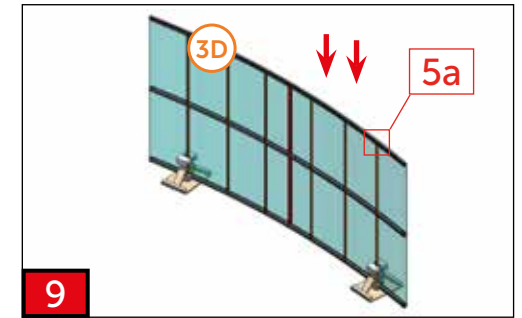
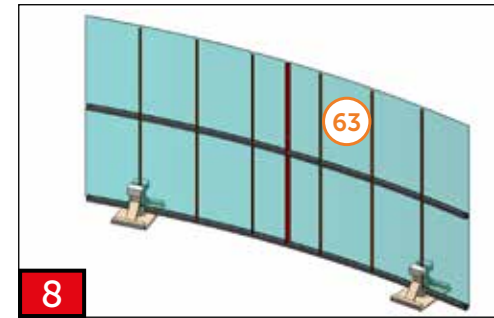
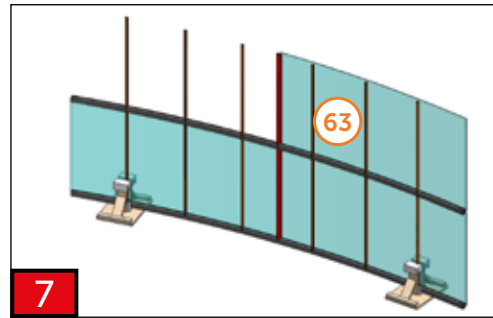
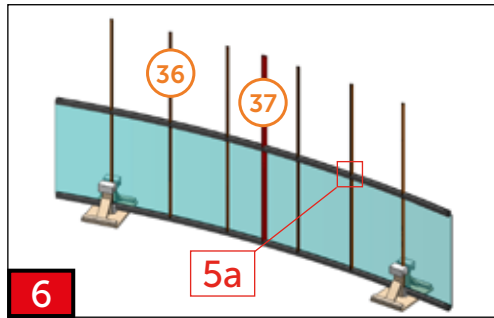
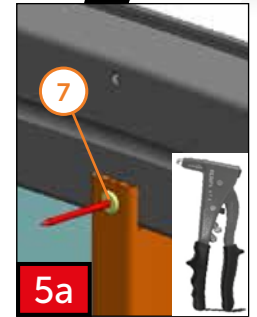
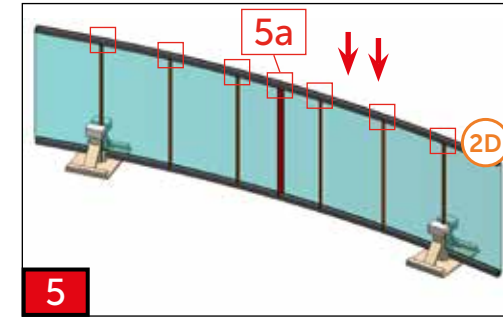
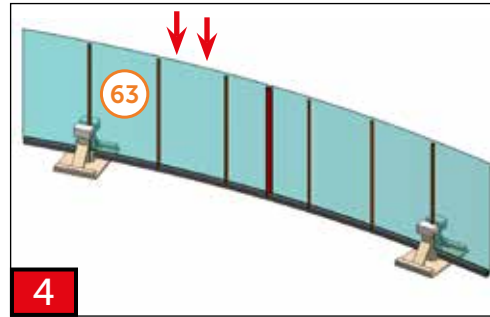
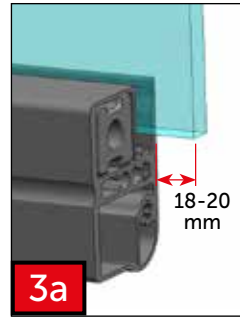
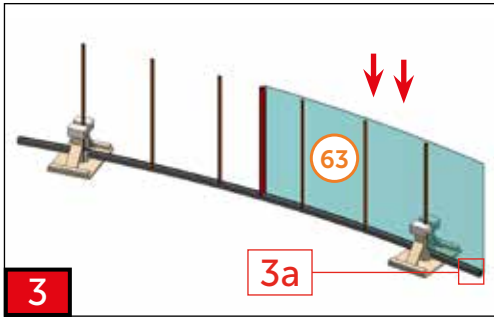


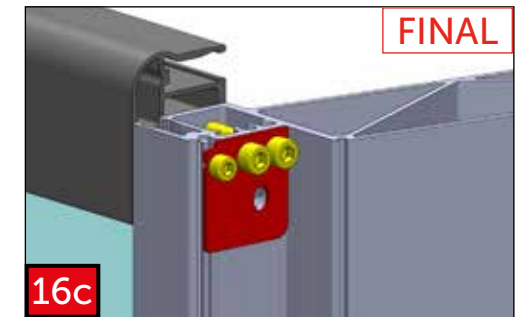
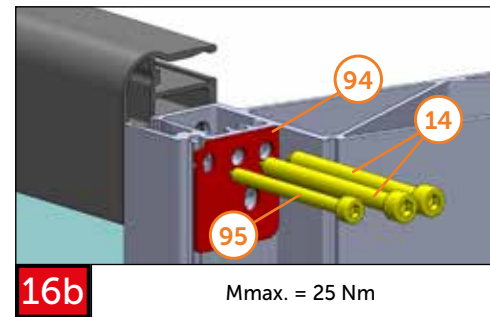
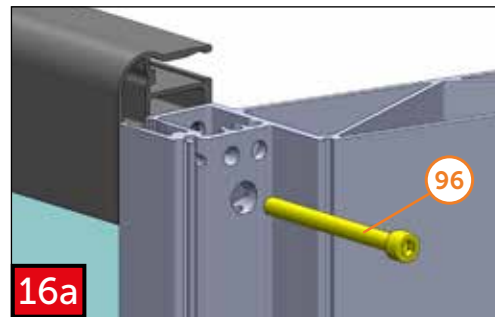
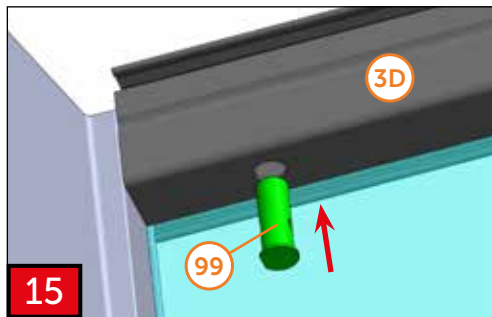
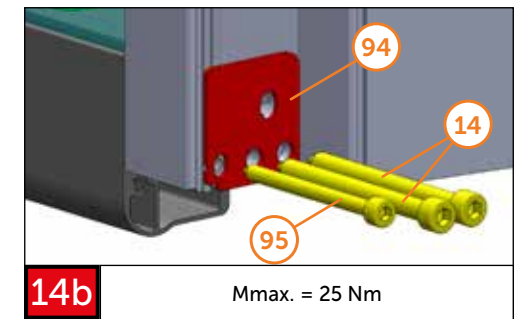
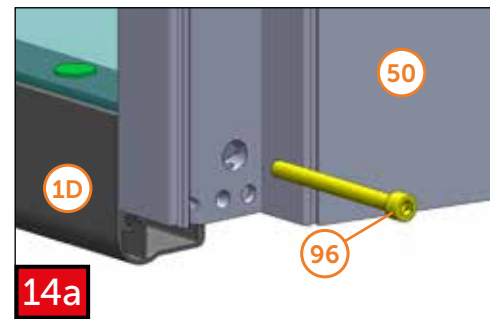
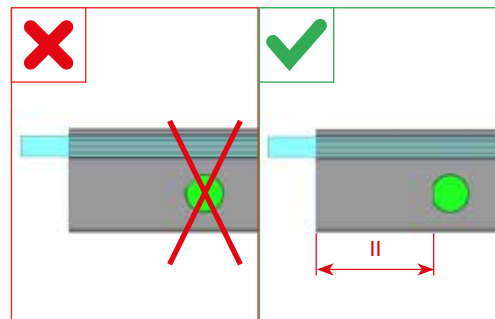
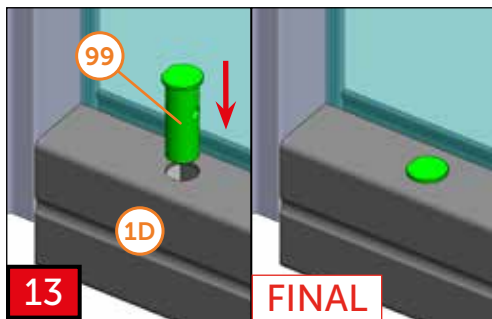
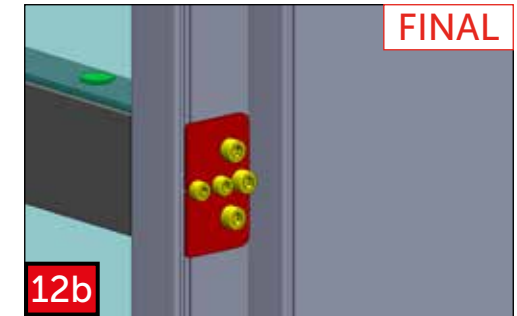
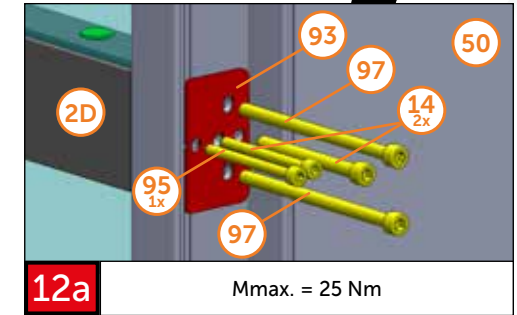
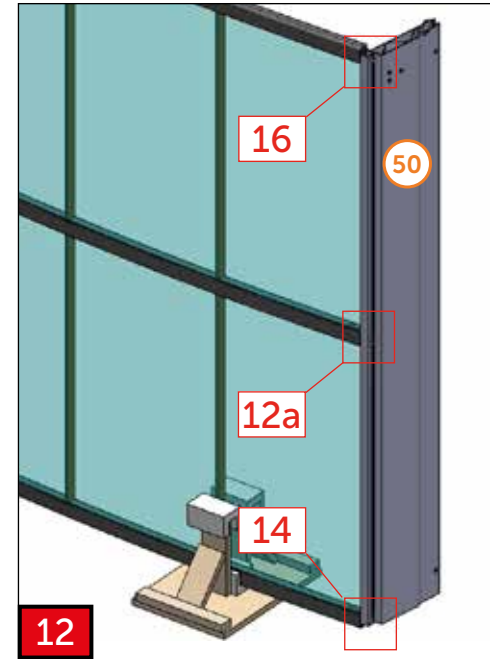
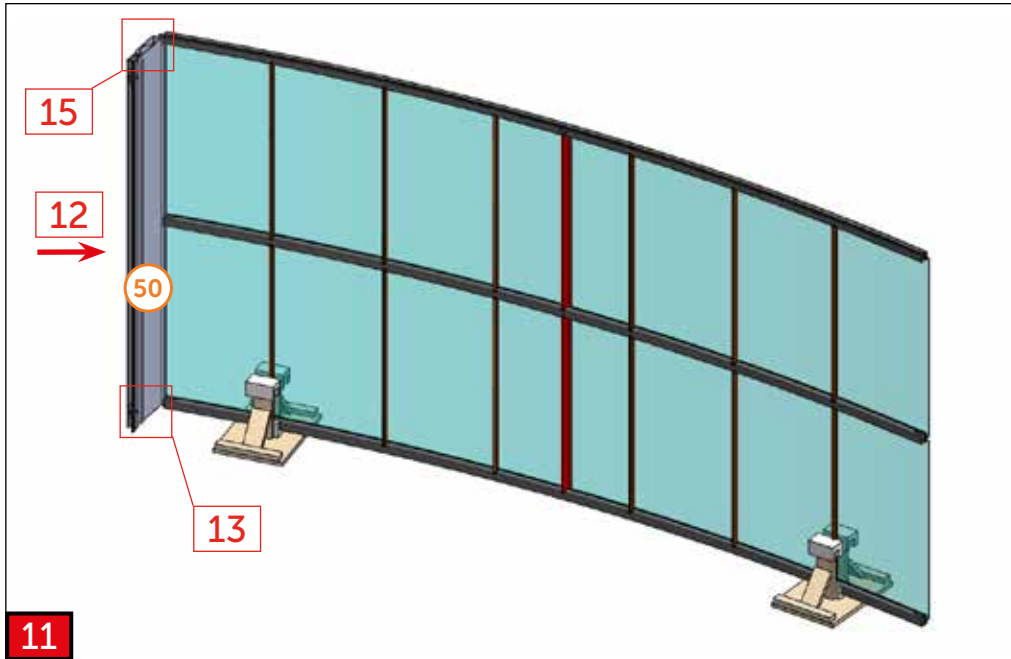
Pomocný držák pro montáž modulu
Auxiliary holder for the assembly of module
Zusätzliche Halterung für die Modulmontage
Support auxiliaire pour l'assemblage du module
Вспомогательный держатель для сборки модуля

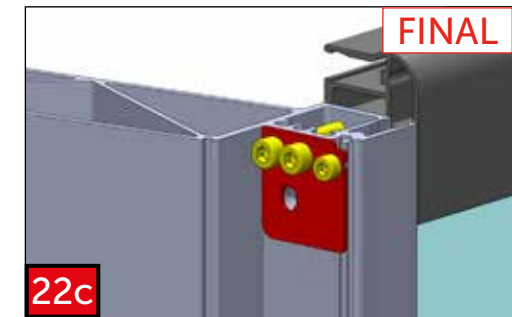
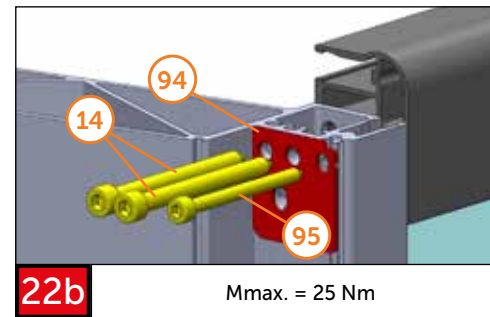
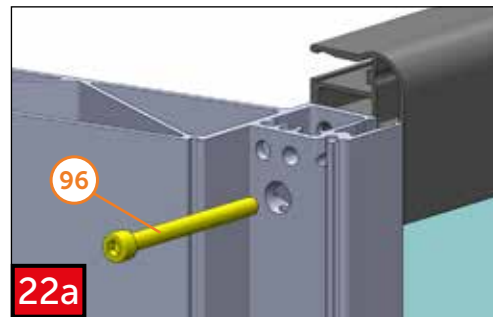
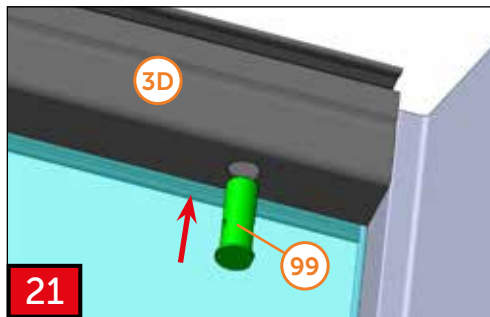
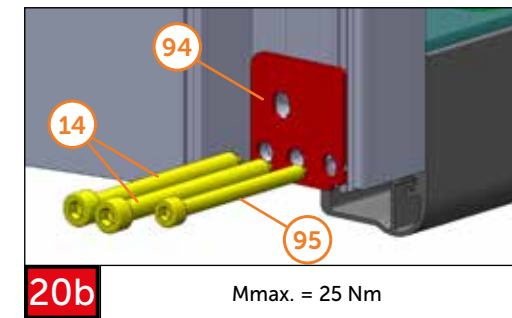
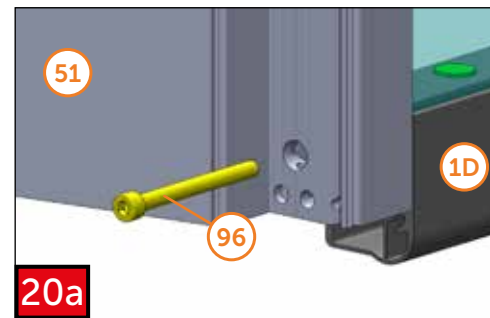
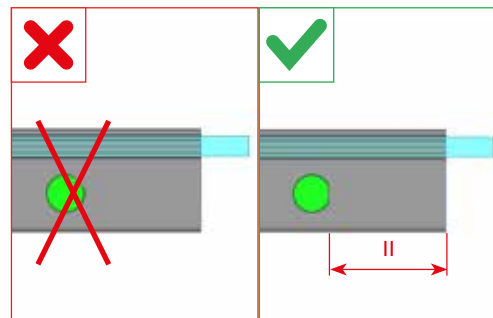
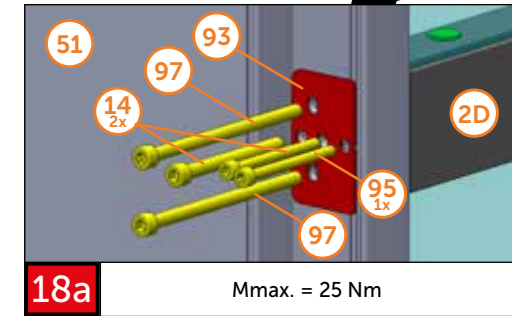
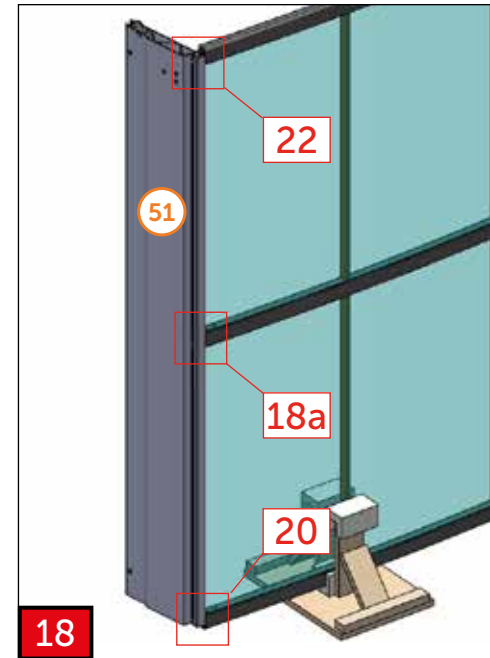
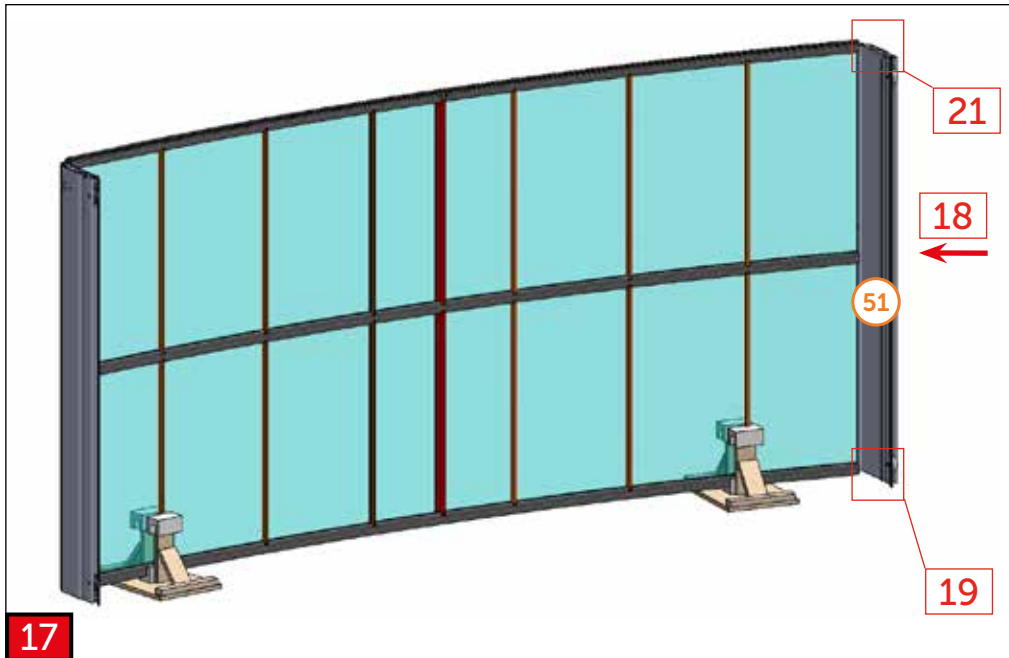


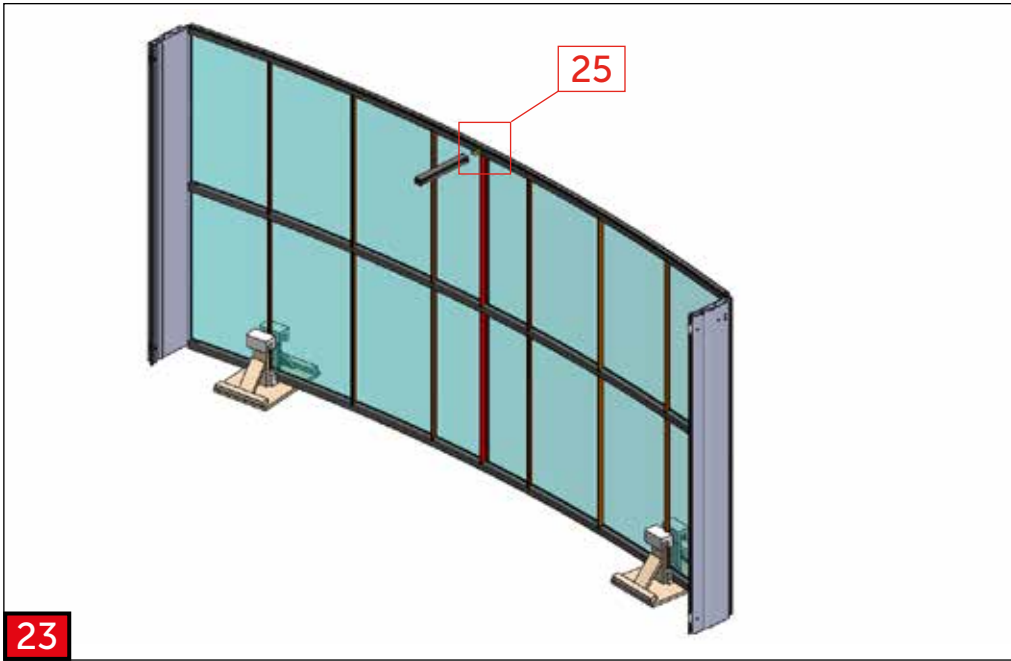
Nutné zajistit modul proti překlopení. Doporučujeme vyrobit držák z balení (prkna + výložky) nebo zajistit jiným způsobem.
 The module must be secured against falling. We recommend that you make a holder from the transport box (boards + foam liner) or that you secure the module in other safe way.
 Das Modul muss gegen Umkippen gesichert werden. Wir empfehlen, einen Halter aus der Verpackung (Bretter + Liner) zu machen oder das Modul auf andere Weise zu sichern.
 Il est nécessaire d'assurer le module contre son renversement. Nous recommandons de fabriquer le support de l'emballage (les planches + les parements) ou de l'assurer autrement.
 Необходимо обезопасить модуль от опрокидывания. Мы рекомендуем сделать держатель из упаковки (доски + вкладыши) или закрепить его другим способом.



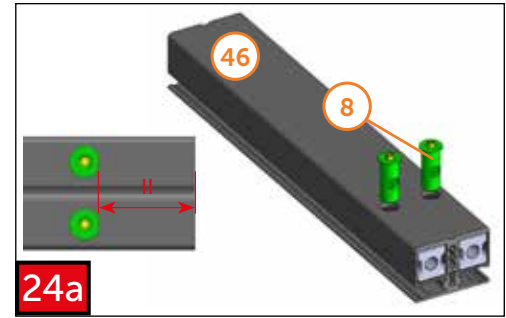








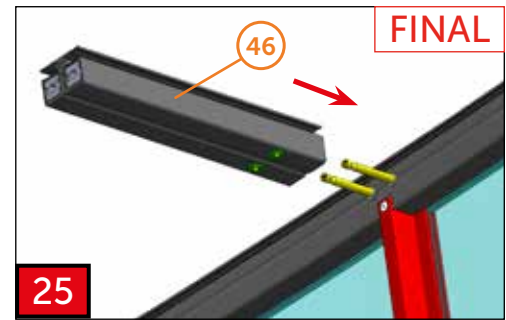
23



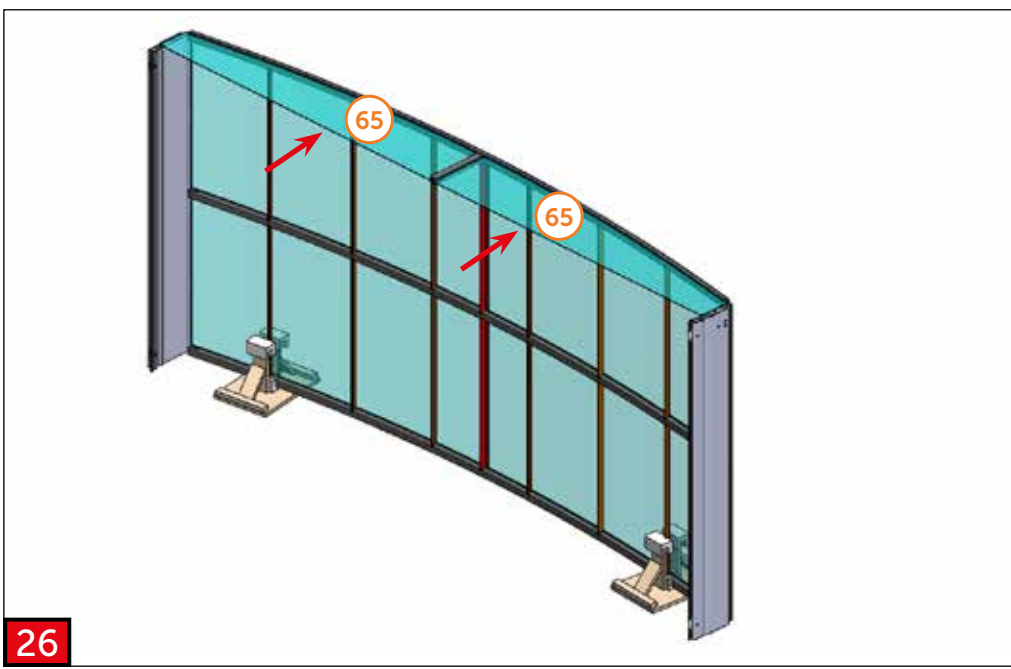
24a



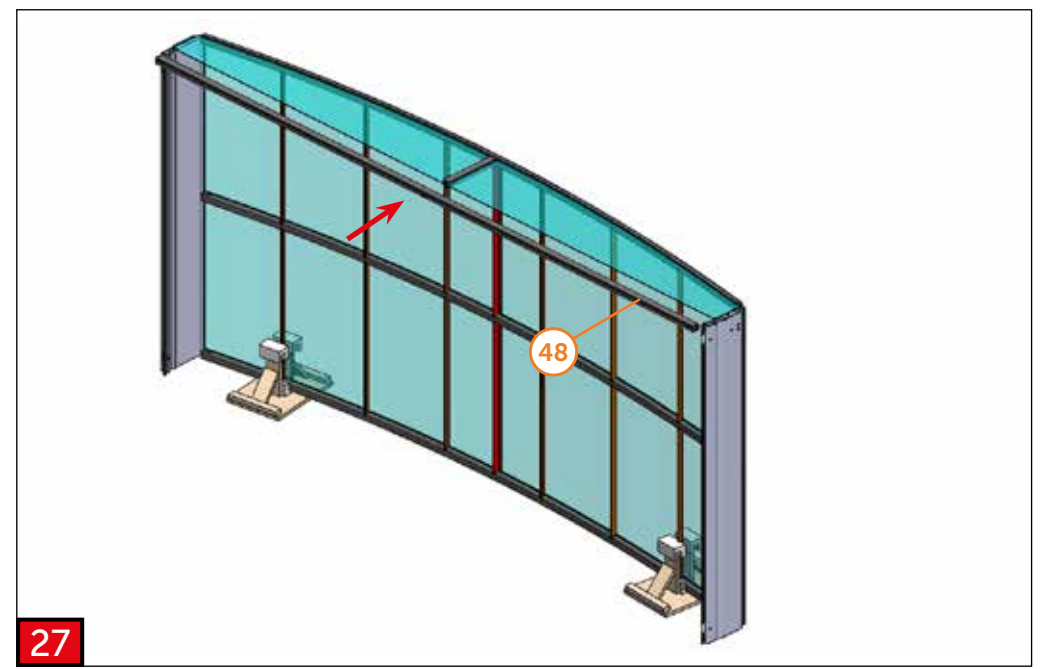
25a



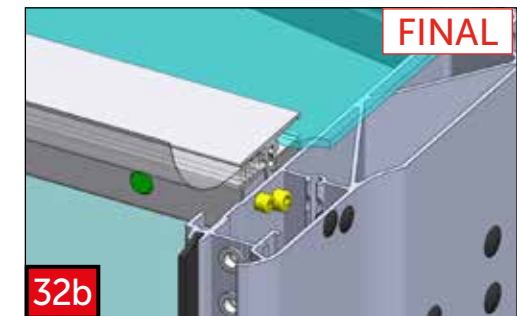
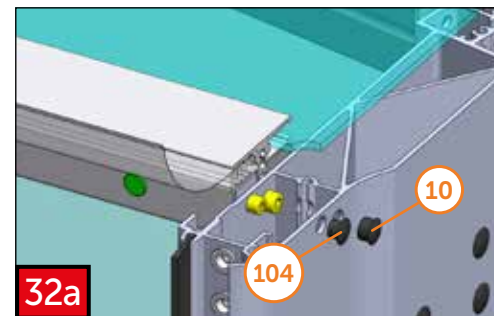
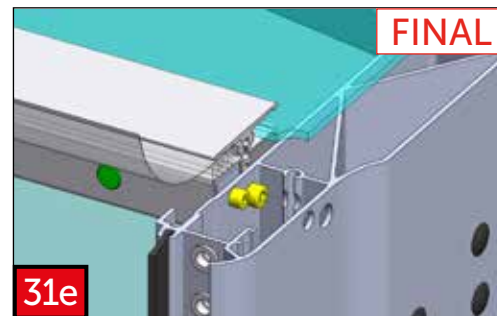
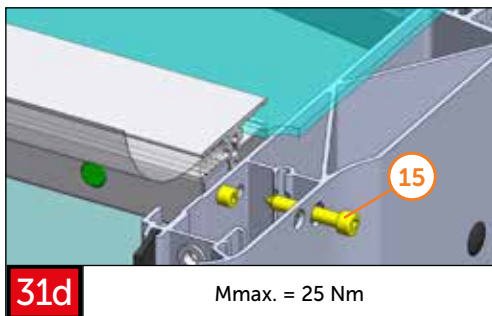
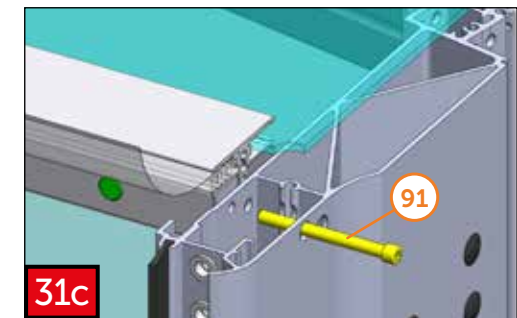
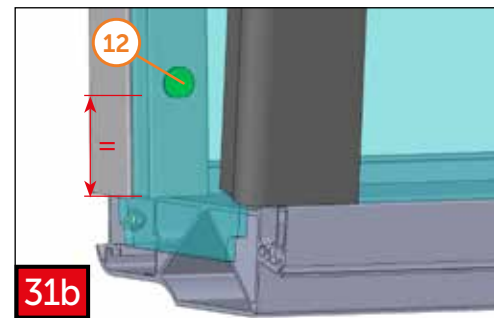
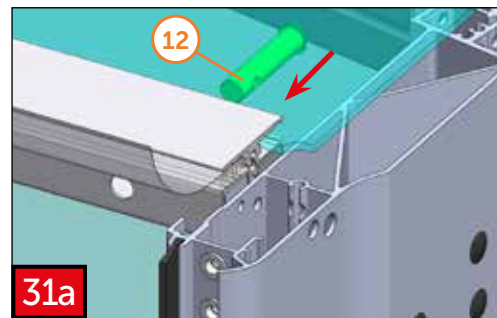
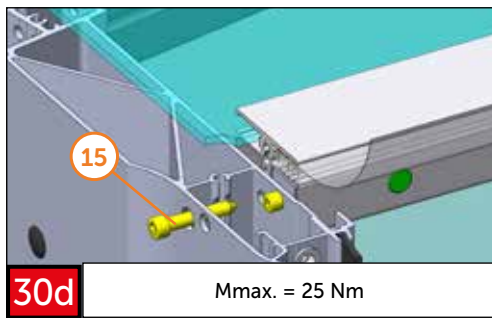
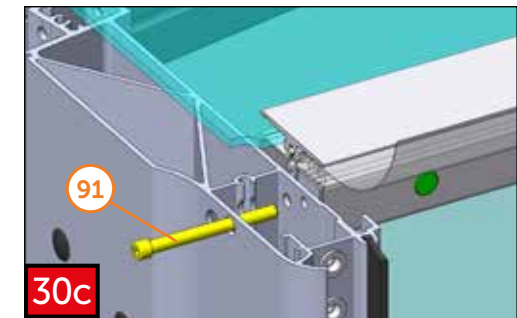
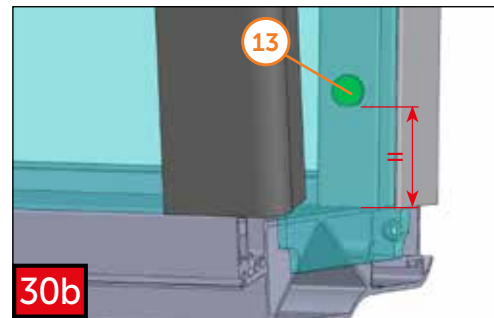
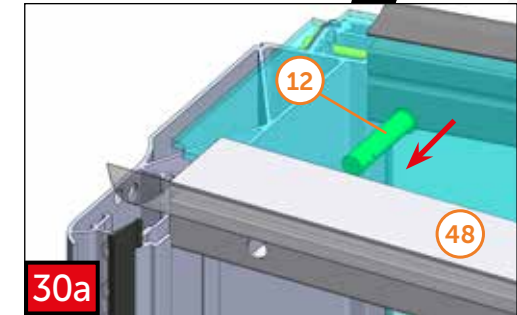
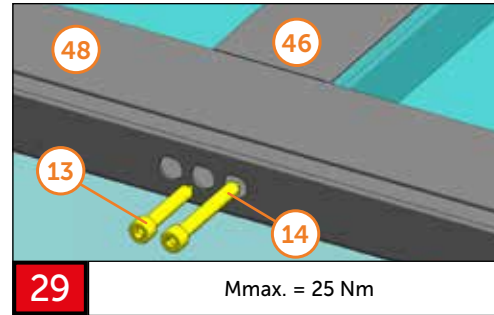
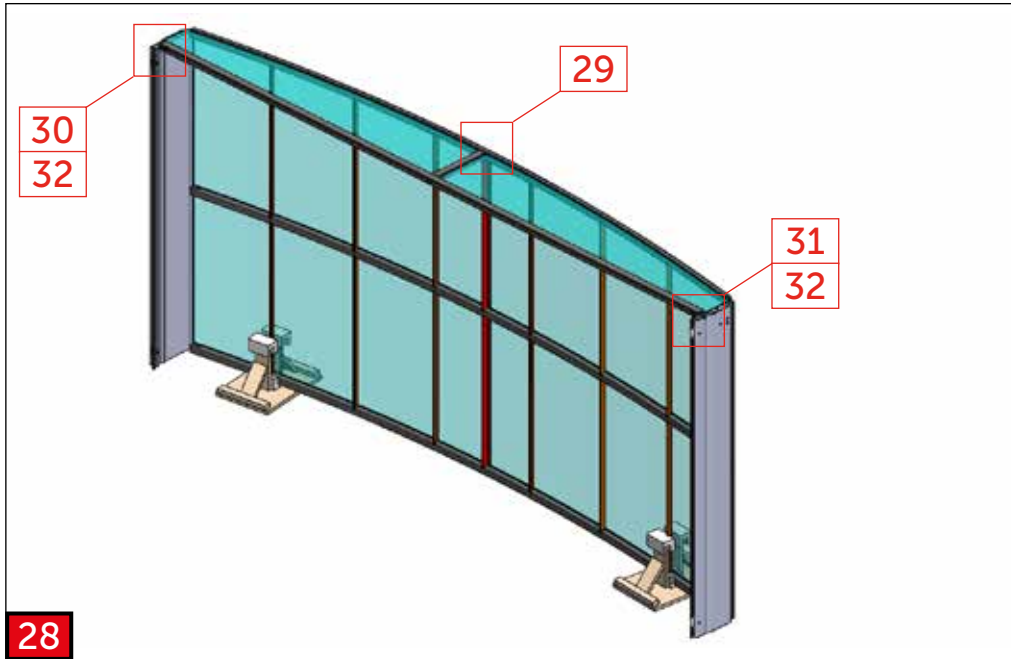
25



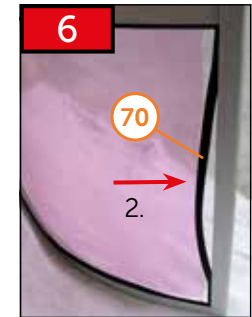
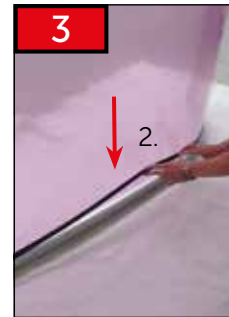
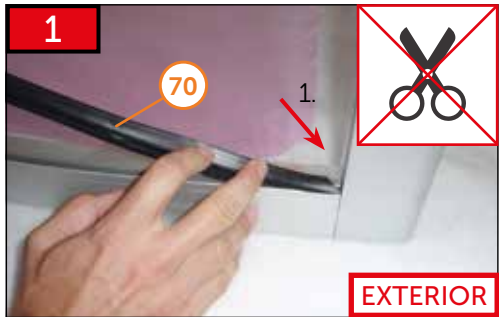
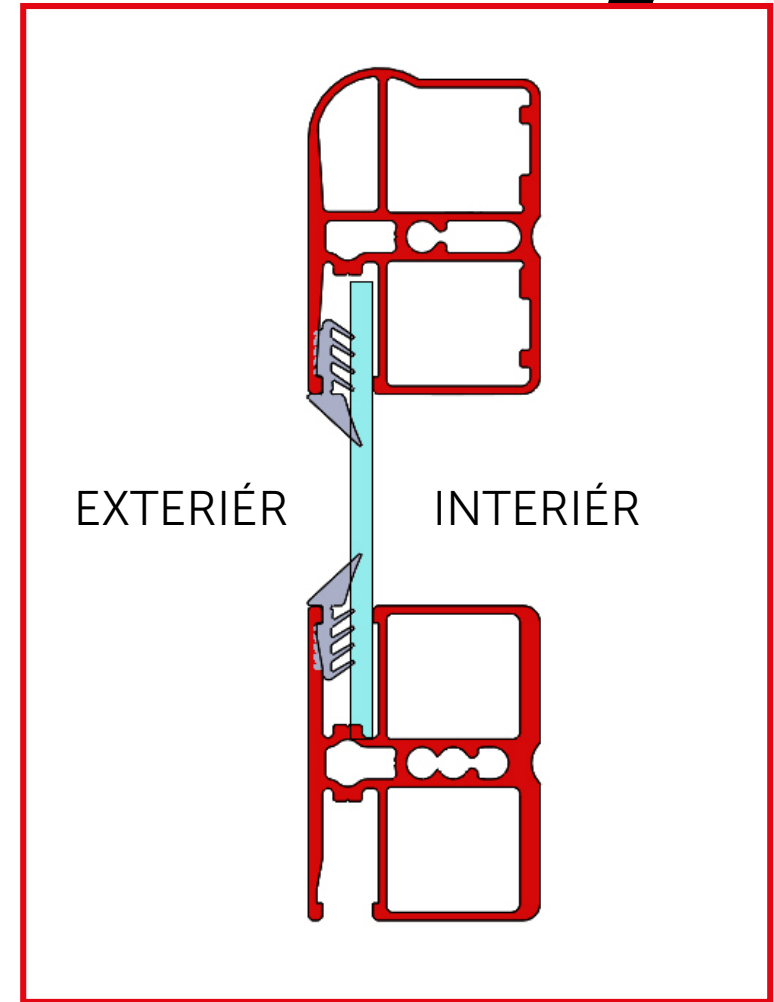
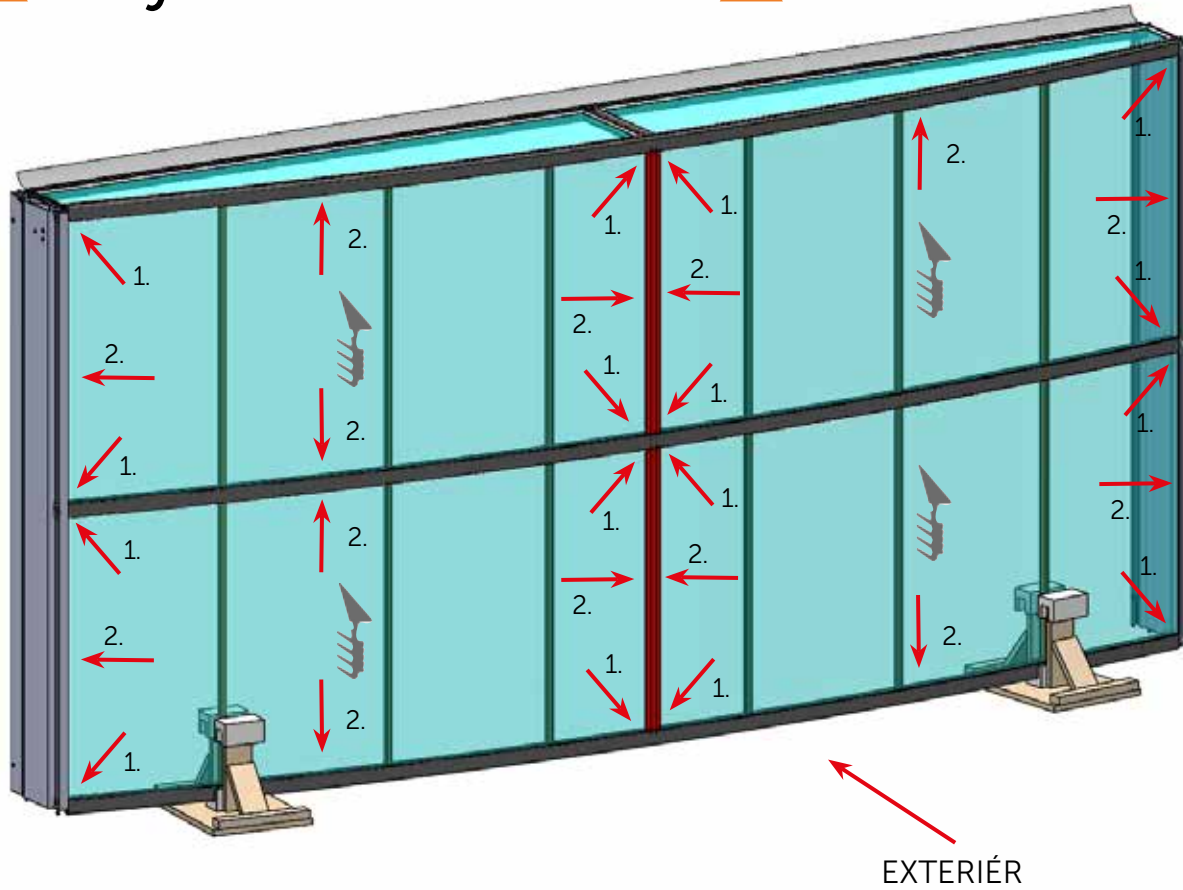
26

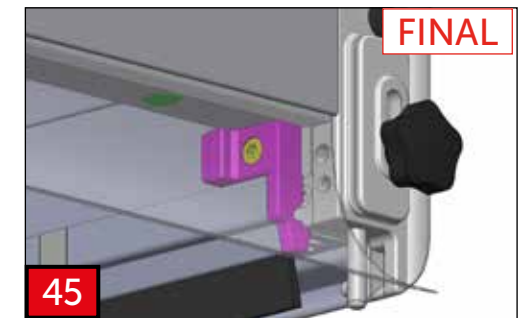
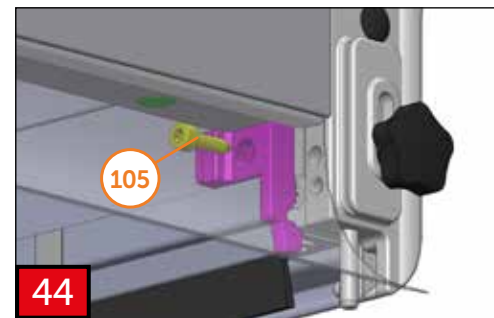
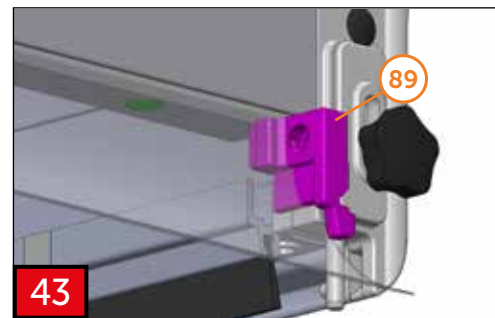
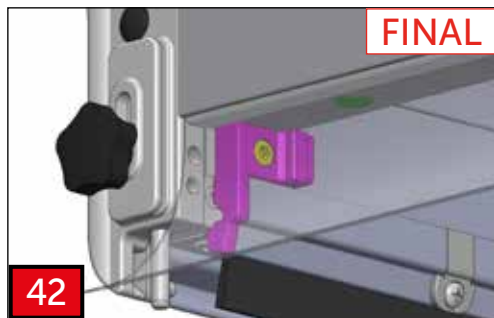
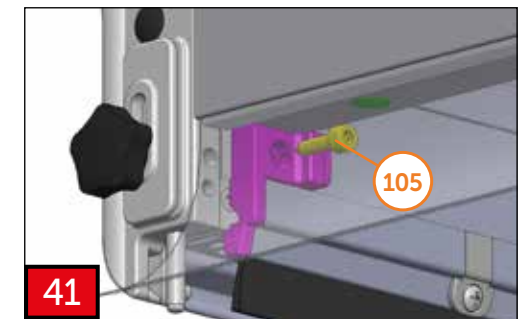
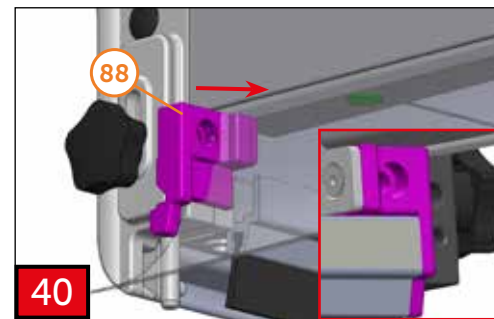
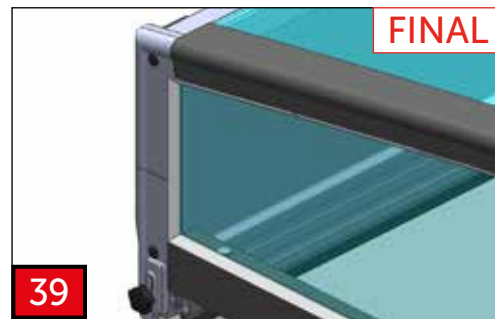
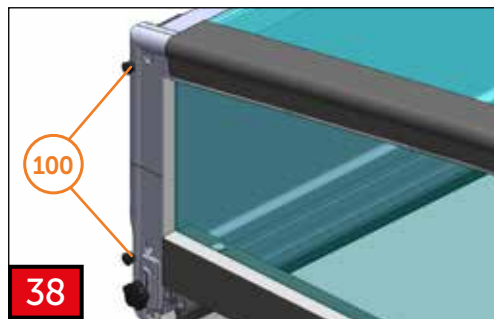
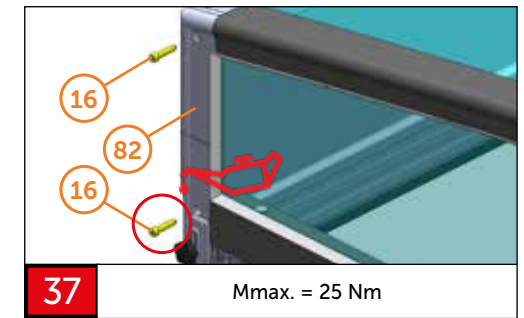
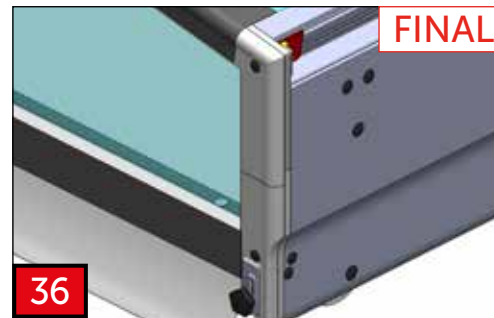
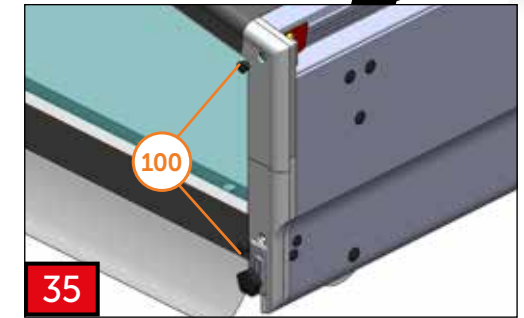
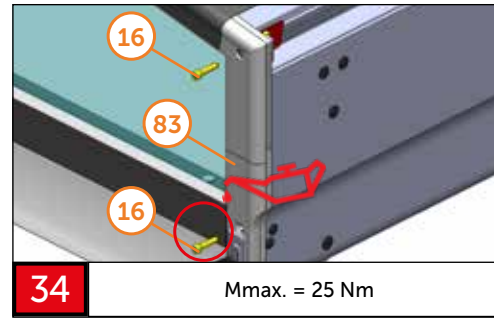
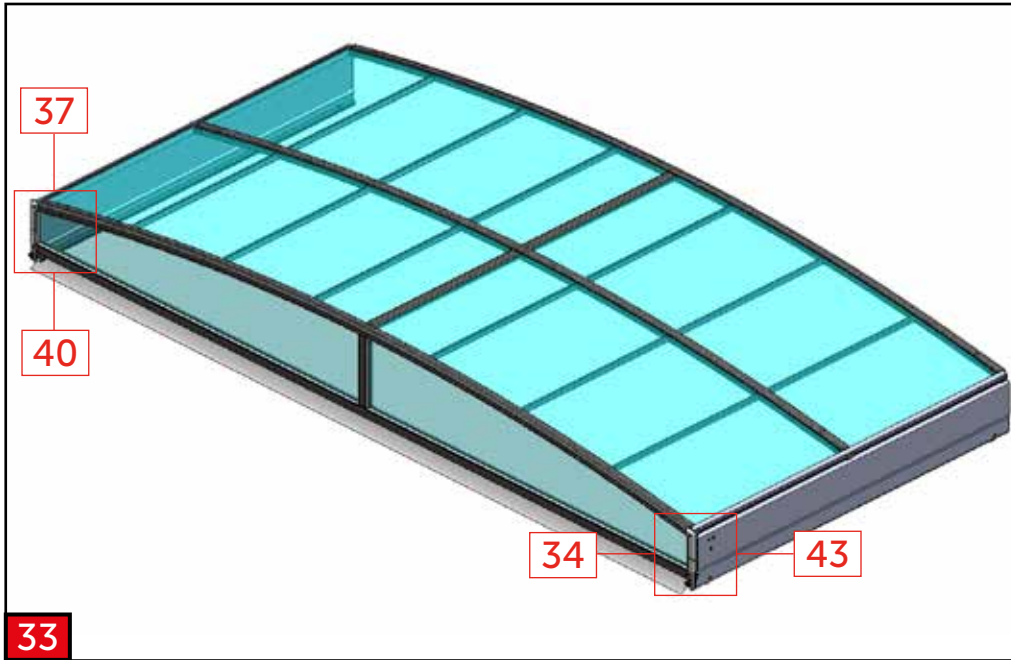


27

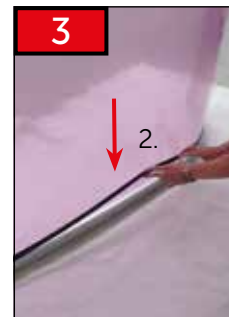
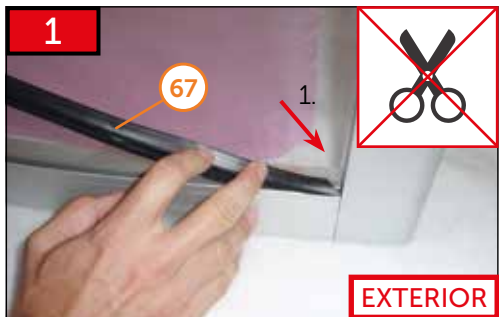
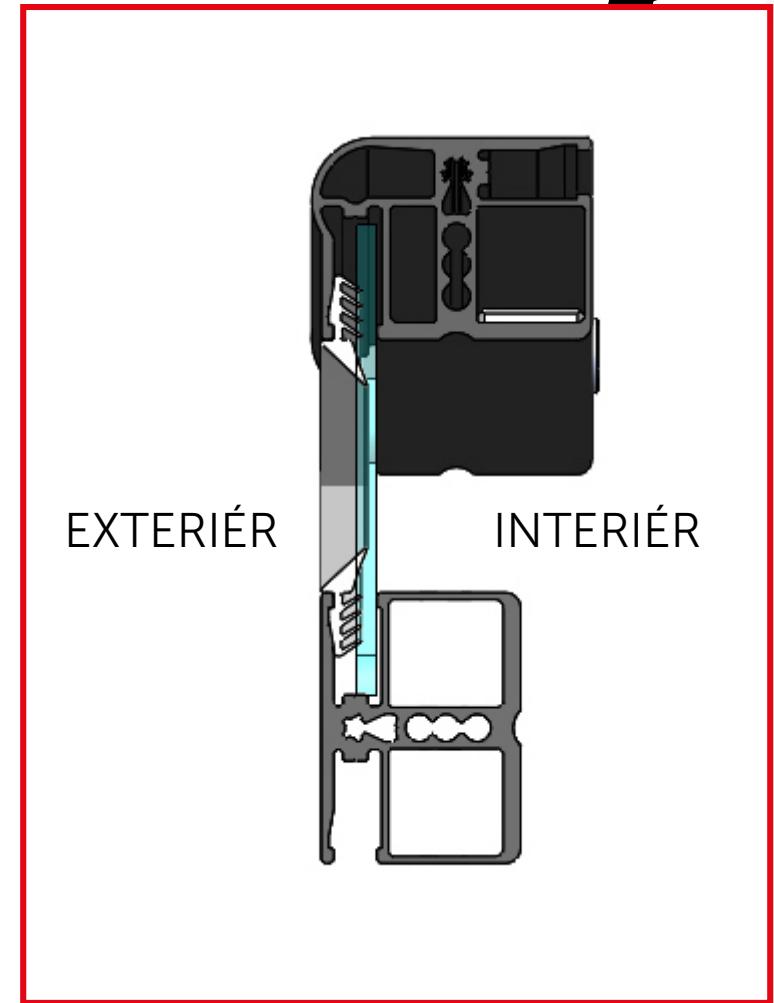
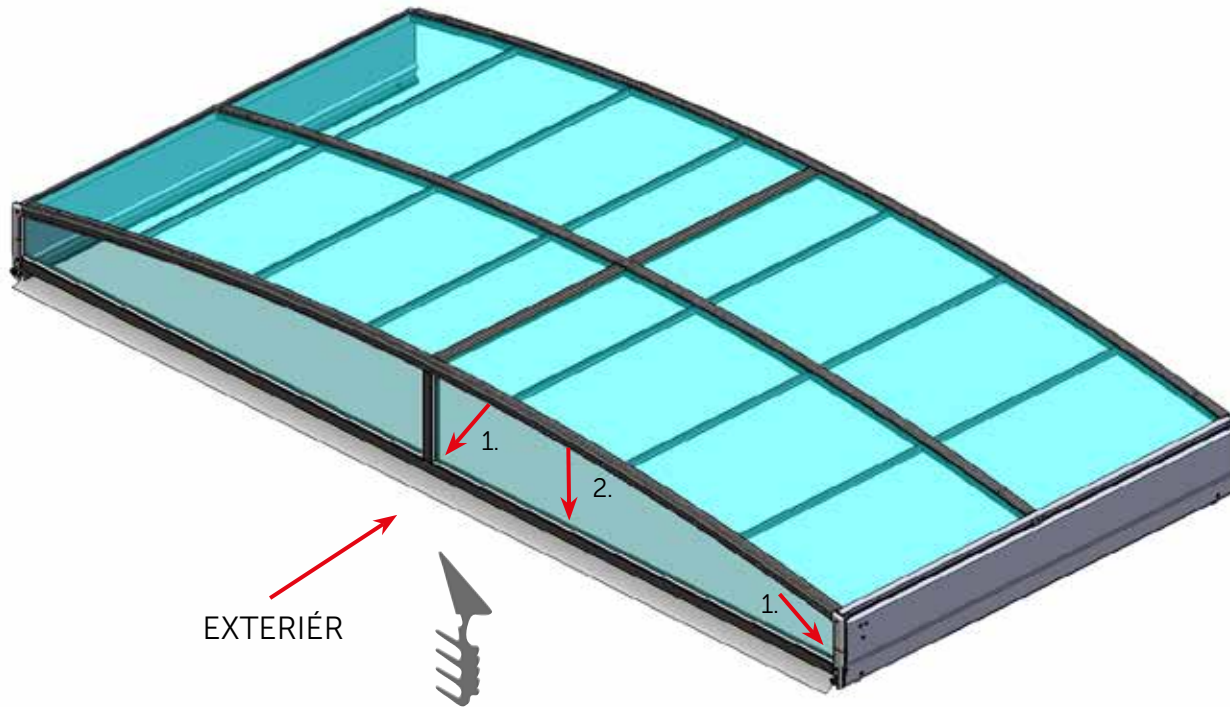


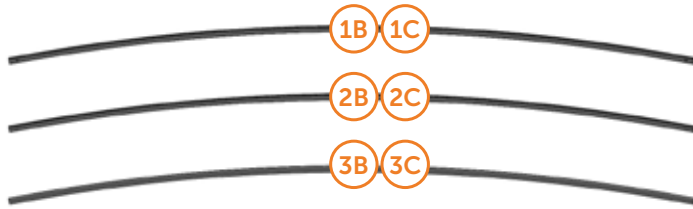
⚠ only SYDNEY CLEAR ⚠





⚠ only SYDNEY CLEAR ⚠





1SP07-01-001

ø4 x 10
28x

7

1SP11-01-031

AN 9051
6,3 x 70
12x

14

1SP11-01-053

AN 9051
6,3 x 32
8x

16

1NA03-01-050

1x

17

Sydney BS/ Clear BS 2Z04-01-SD004	906 mm
Sydney B/ Clear B 2Z04-01-SD001	1041 mm

12x

36

Sydney BS/ Clear BS 2Z05-01-SD005	906 mm
Sydney B/ Clear B 2Z05-01-SD001	1041 mm

2x

37

Sydney BS/ Clear BS 2Z02-09-SD028	1880 mm
Sydney B/ Clear B 2Z02-09-SD027	2150 mm

2x

58

1SP10-01-084

ISO 7380
M 6x20
2x

92

1SZ18-02-010

2x

93

1SZ18-02-012

4x

94

1SP11-01-049

AN 9051
4,8x60
6x

95

1SP10-01-078

DIN 912
M 6x65
4x

96

1SP10-01-082

DIN 912
M 6x100
4x

97

1SZ03-01-038

2x

98

1SZ03-01-030

4x

99

1SZ12-01-010

MODUL B 6x
MODUL C 8x

100

MODUL B
1SZ12-01-012

2x

101

MODUL B
1SZ29-01-009

ø 10,2 mm
2x

103

MODUL B

"KL" = "KP"

Sydney BS/ Clear BS 2Z02-09-SR013	1880 mm
Sydney B/ Clear B 2Z02-09-SR003	2150 mm

1x

54

MODUL B

"KL" = "KP"

Sydney BS/ Clear BS 2Z02-09-SR014	1880 mm
Sydney B/ Clear B 2Z02-09-SR004	2150 mm

1x

55

MODUL C

"KL" = "KP"

Sydney BS/ Clear BS 2Z02-09-SR015	1880 mm
Sydney B/ Clear B 2Z02-09-SR005	2150 mm

1x

52

MODUL C

"KL" = "KP"

Sydney BS/ Clear BS 2Z02-09-SR016	1880 mm
Sydney B/ Clear B 2Z02-09-SR006	2150 mm

1x

53

Sydney BS/ Clear BS	2110 x 915 mm	
Sydney B/ Clear B	2110 x 1050 mm	

4x
61

Sydney BS/ Clear BS	2180 x 915 mm	
Sydney B/ Clear B	2180 x 1050 mm	

4x
62

MODUL B

2Z09-01-SD012

1x
76

MODUL B

2Z09-01-SD013

1x
77

MODUL B

2Z09-01-SD014

1x
78

MODUL B

2Z09-01-SD015

1x
79

MODUL C

2Z09-01-SD058

1x
80

MODUL C

2Z09-01-SD059

1x
81

MODUL C

2Z09-01-SD060

1x
82

MODUL C

2Z09-01-SD061

1x
83

MODUL B	1x
MODUL C	1x

1SZ18-02-001

OPTIONAL "KL"

3

MODUL B	1x
MODUL C	1x

1SZ18-02-002

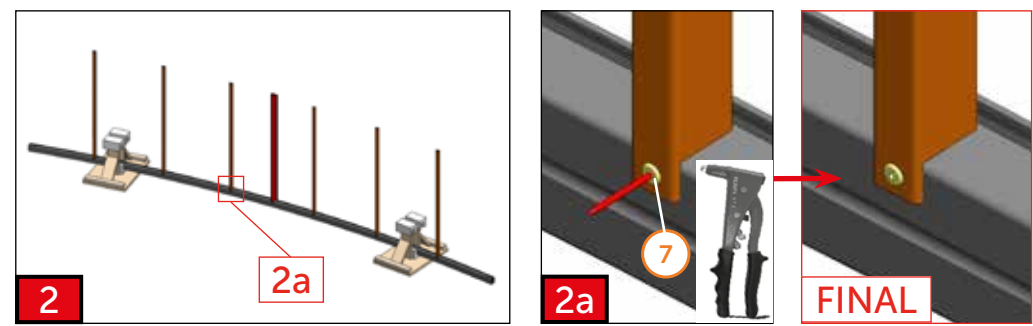
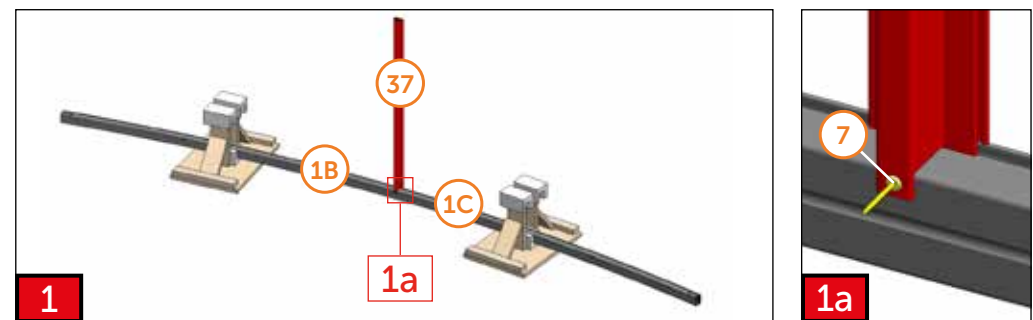
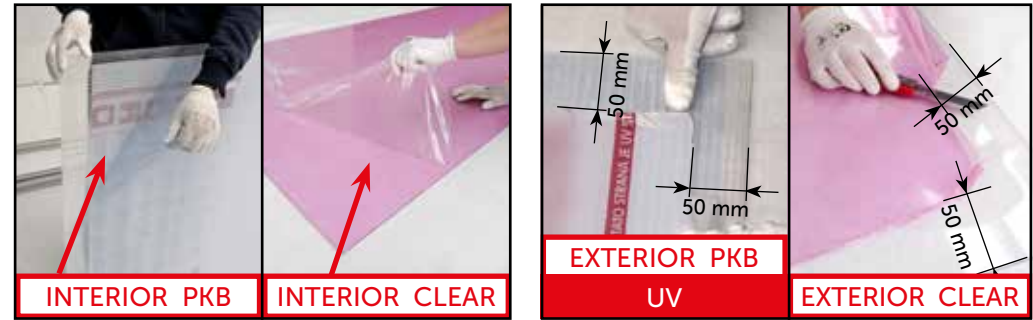
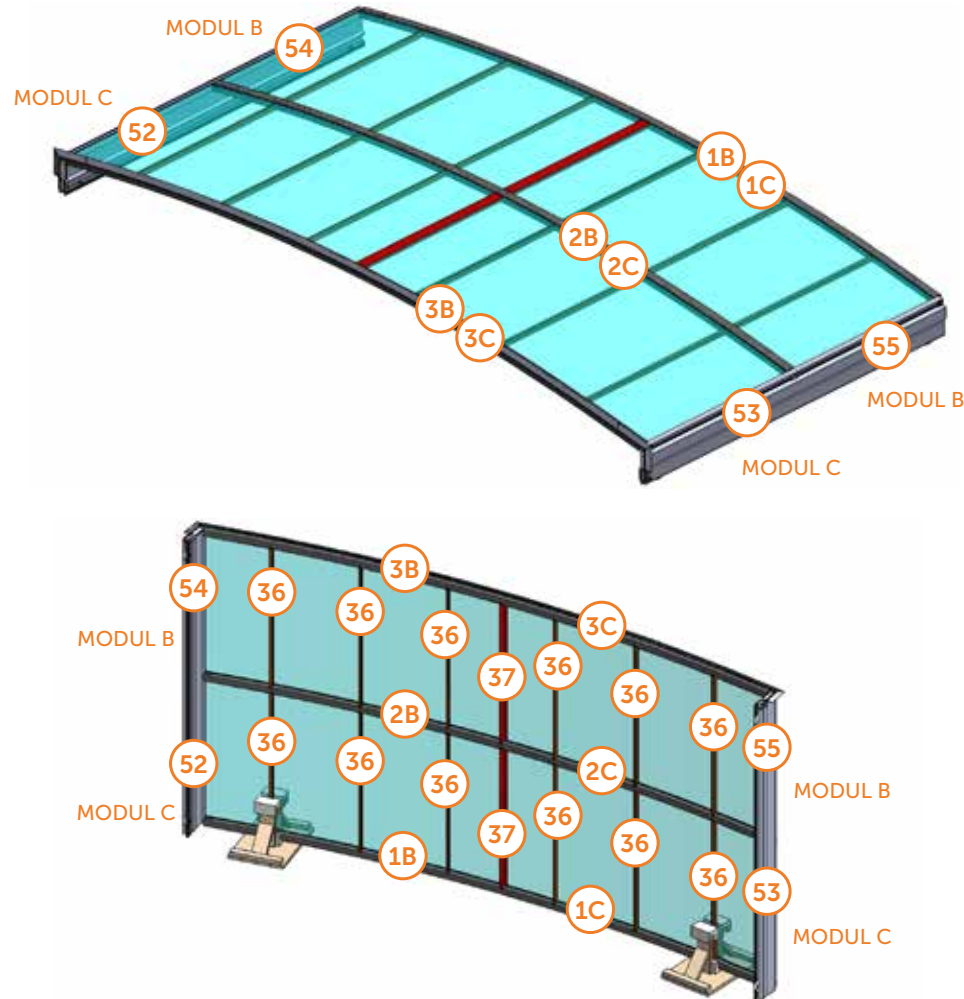
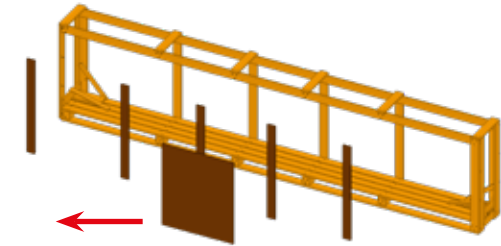
OPTIONAL "KP"

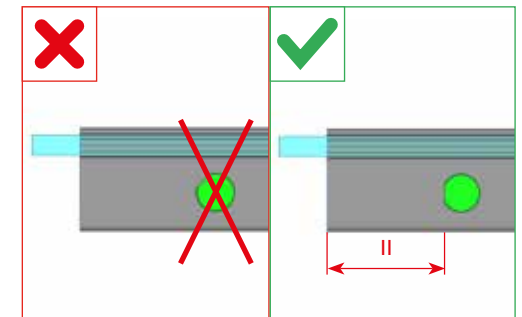
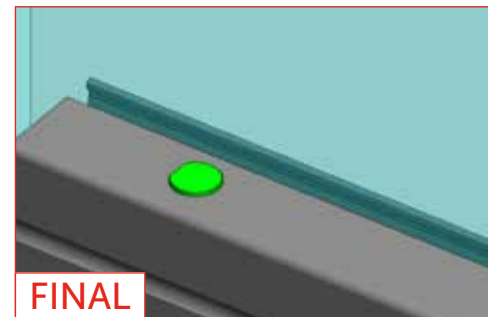
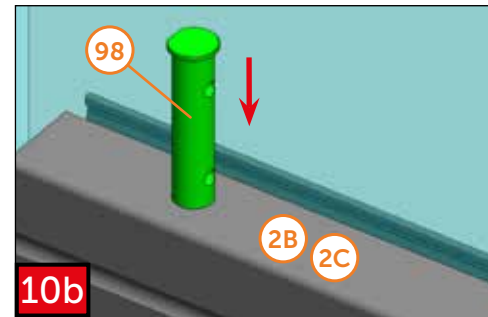
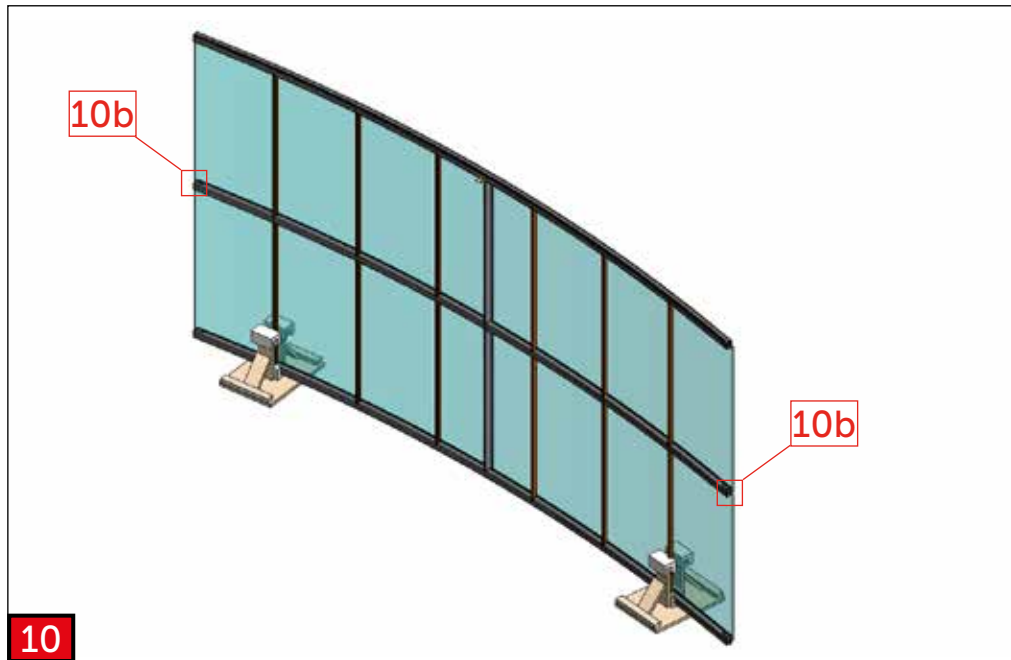
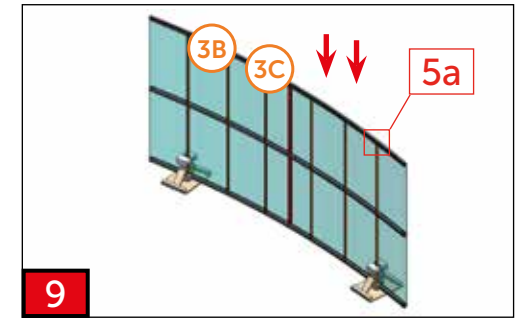
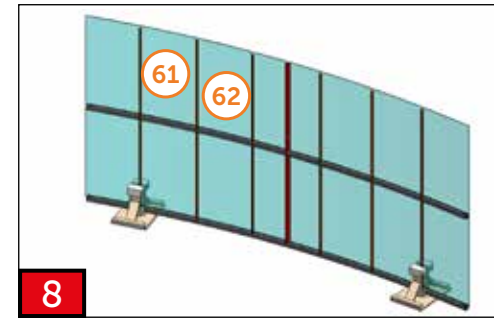
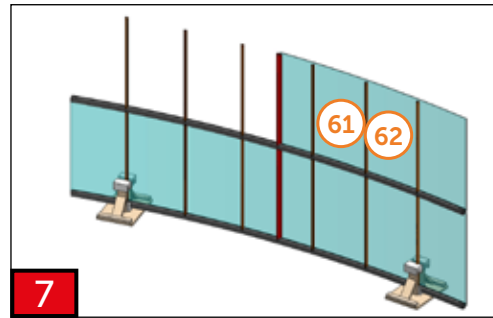
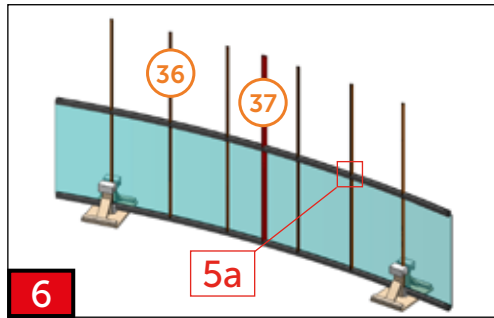
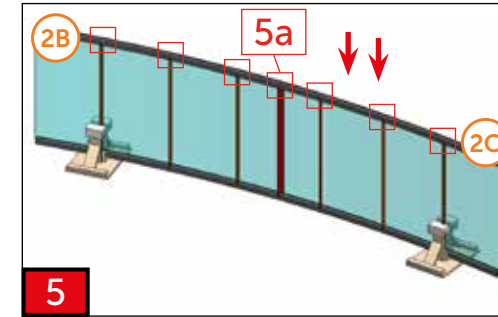
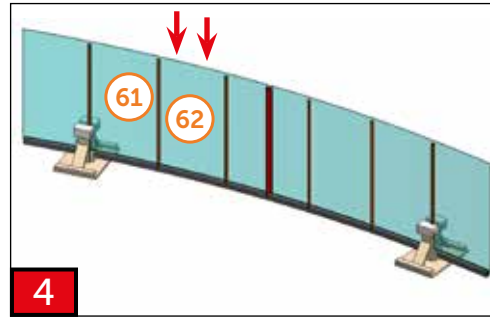
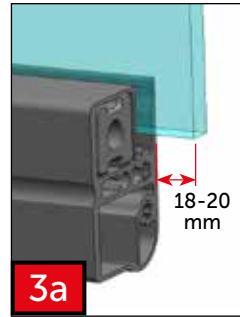
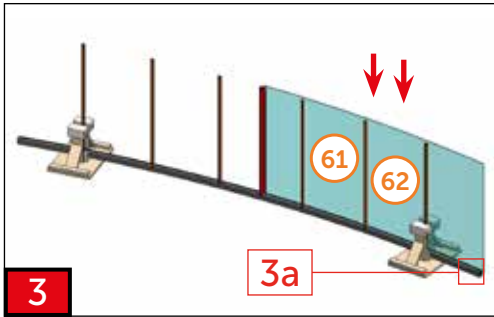
4

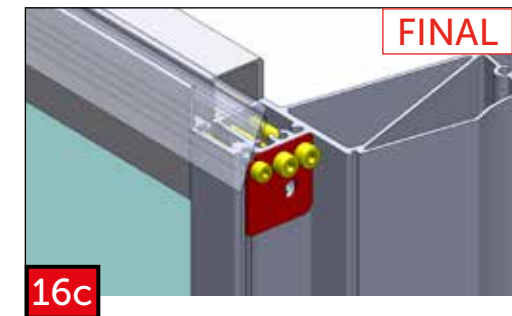
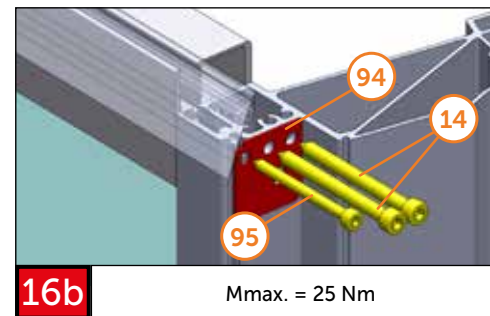
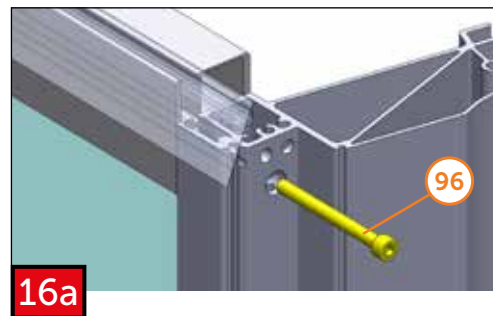
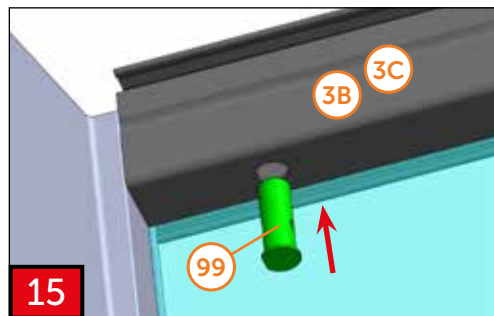
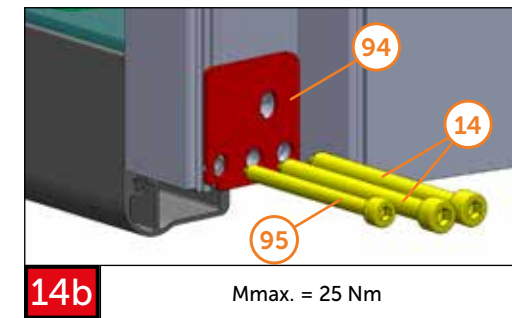
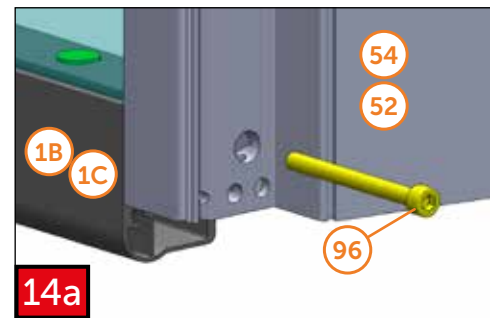
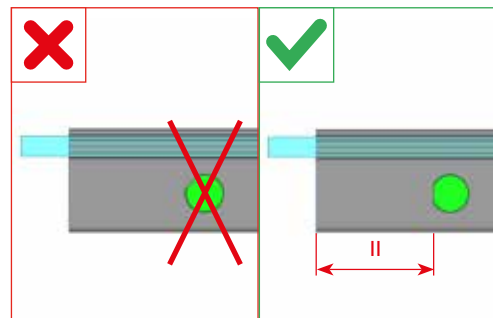
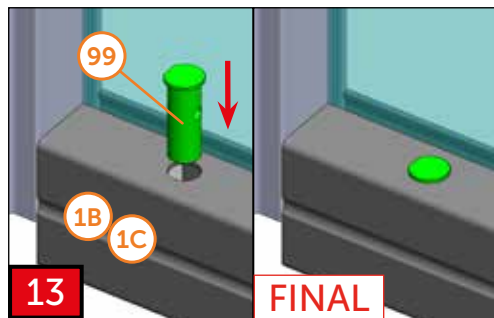
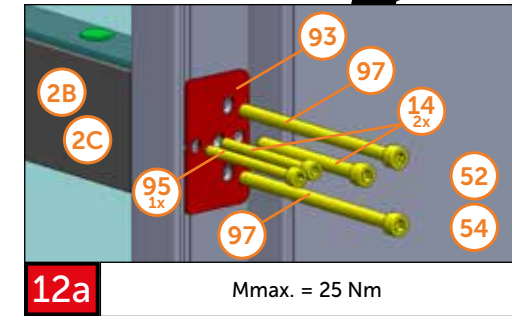
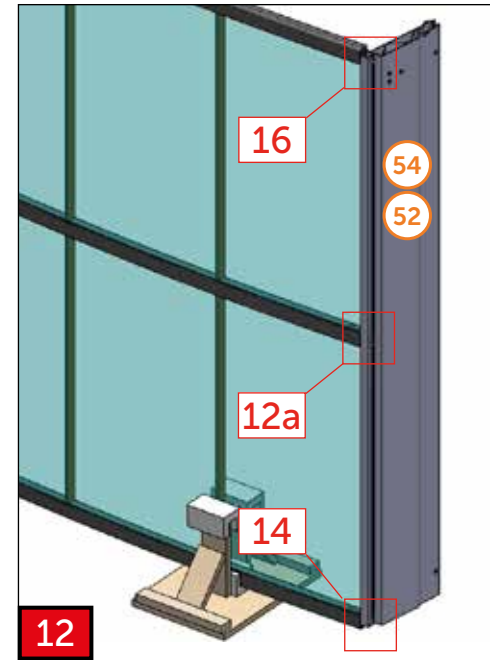
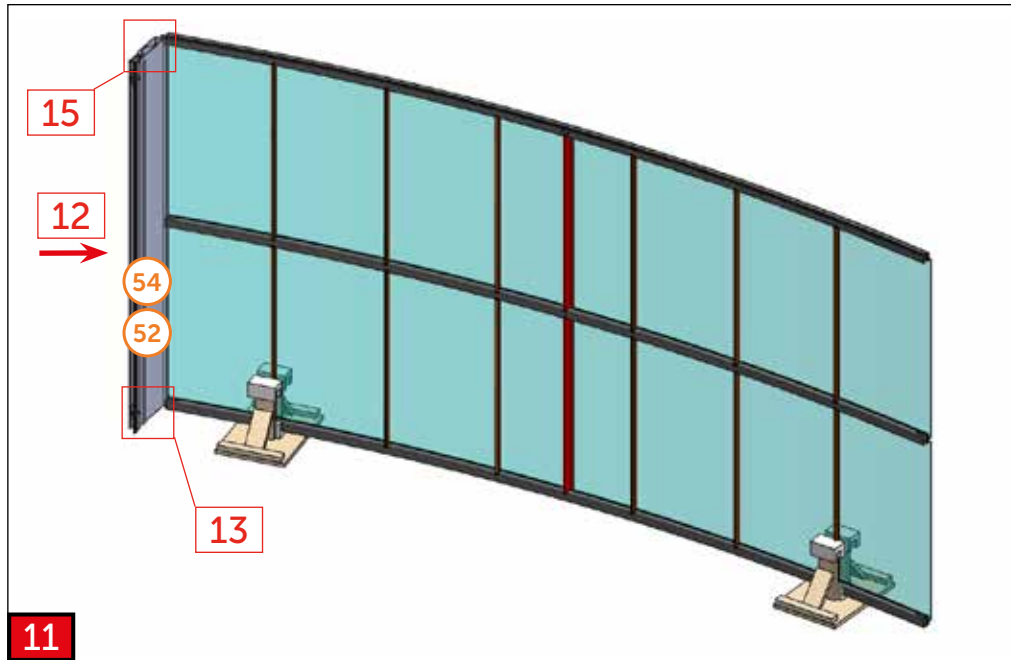
Pomocný držák pro montáž modulu
Auxiliary holder for the assembly of module
Zusätzliche Halterung für die Modulmontage
Support auxiliaire pour l'assemblage du module
Вспомогательный держатель для сборки модуля

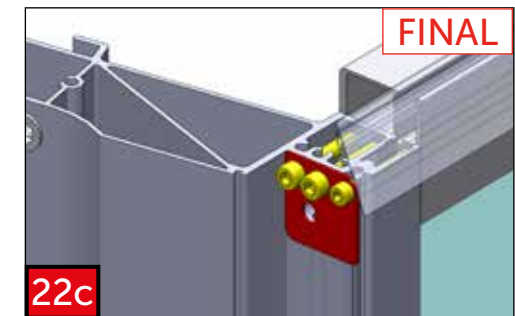
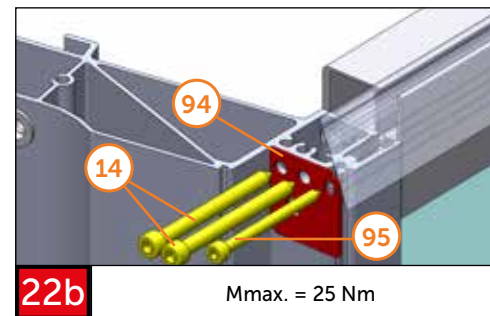
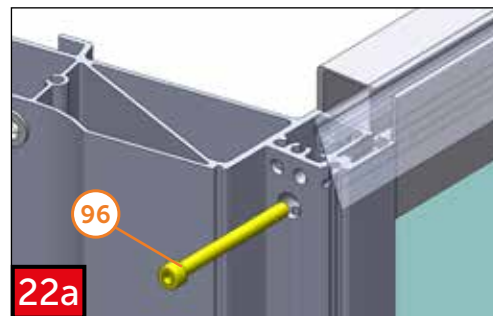
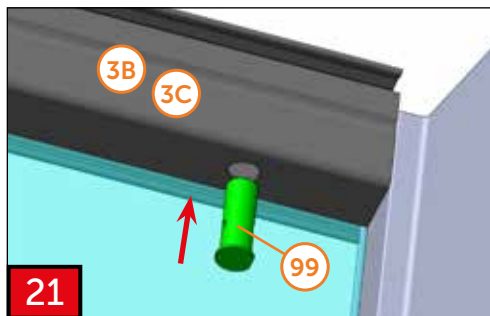
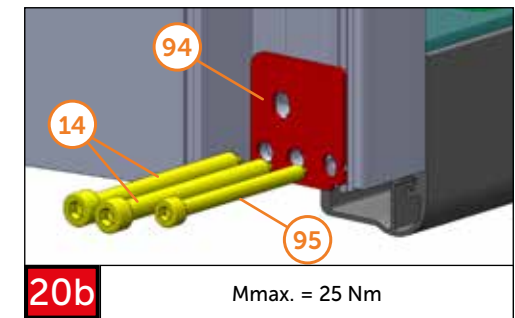
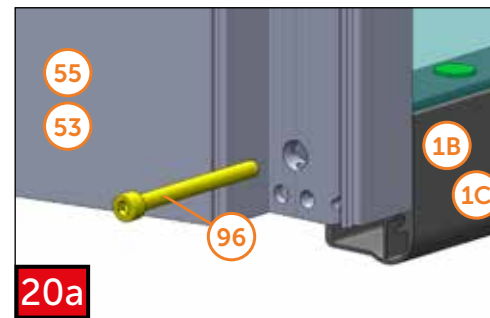
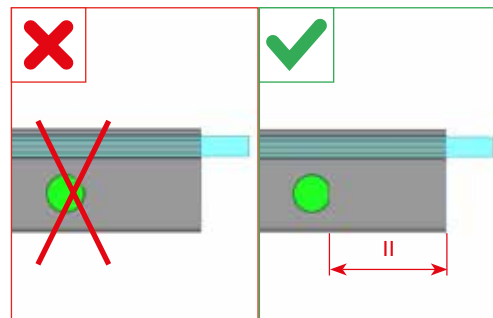
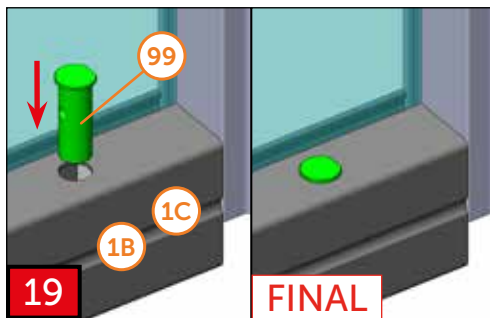
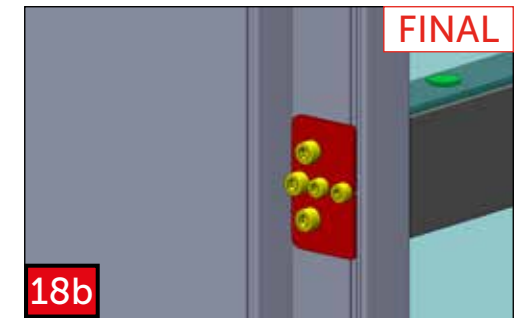
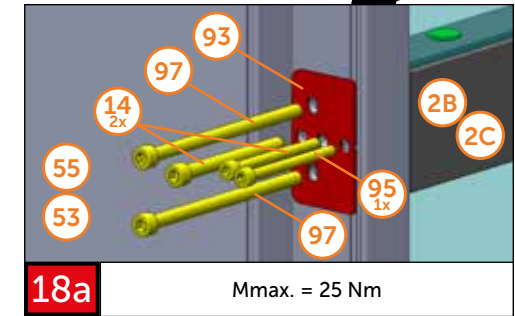
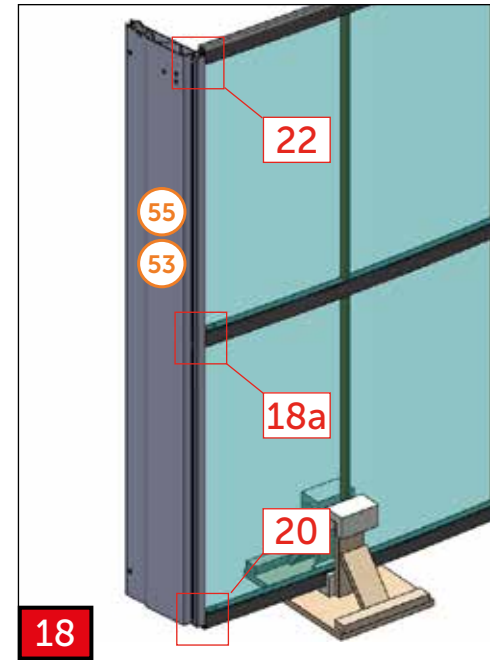
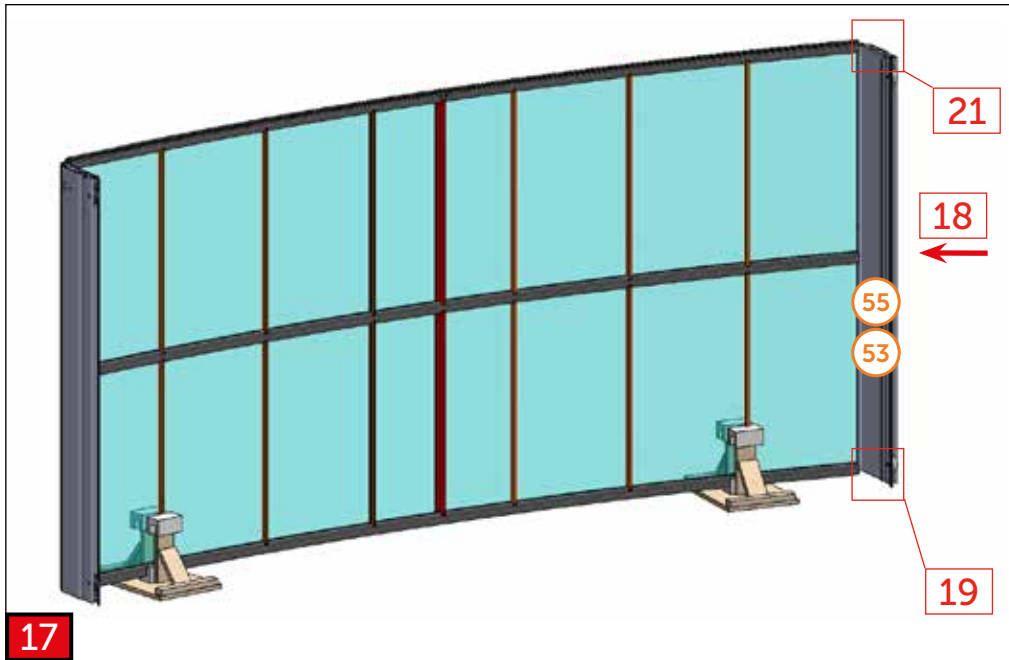


Nutné zajistit modul proti překlpení. Doporučujeme vyrobit držák z balení (prkna + výložky) nebo zajistit jiným způsobem.
 The module must be secured against falling. We recommend that you make a holder from the transport box (boards + foam liner) or that you secure the module in other safe way.
 Das Modul muss gegen Umkippen gesichert werden. Wir empfehlen, einen Halter aus der Verpackung (Bretter + Liner) zu machen oder das Modul auf andere Weise zu sichern.
 Il est nécessaire d'assurer le module contre son renversement. Nous recommandons de fabriquer le support de l'emballage (les planches + les parements) ou de l'assurer autrement.
 Необходимо обезопасить модуль от опрокидывания. Мы рекомендуем сделать держатель из упаковки (доски + вкладыши) или закрепить его другим способом.

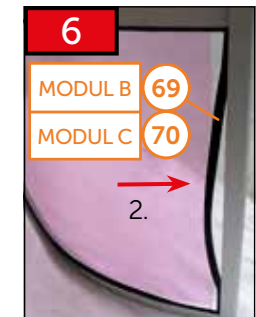
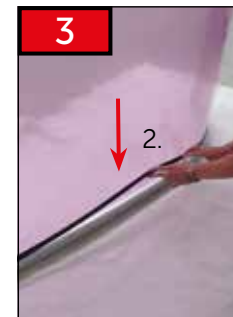
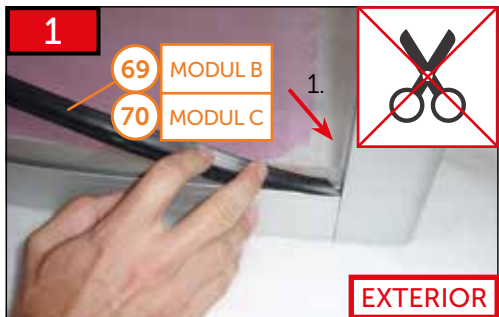
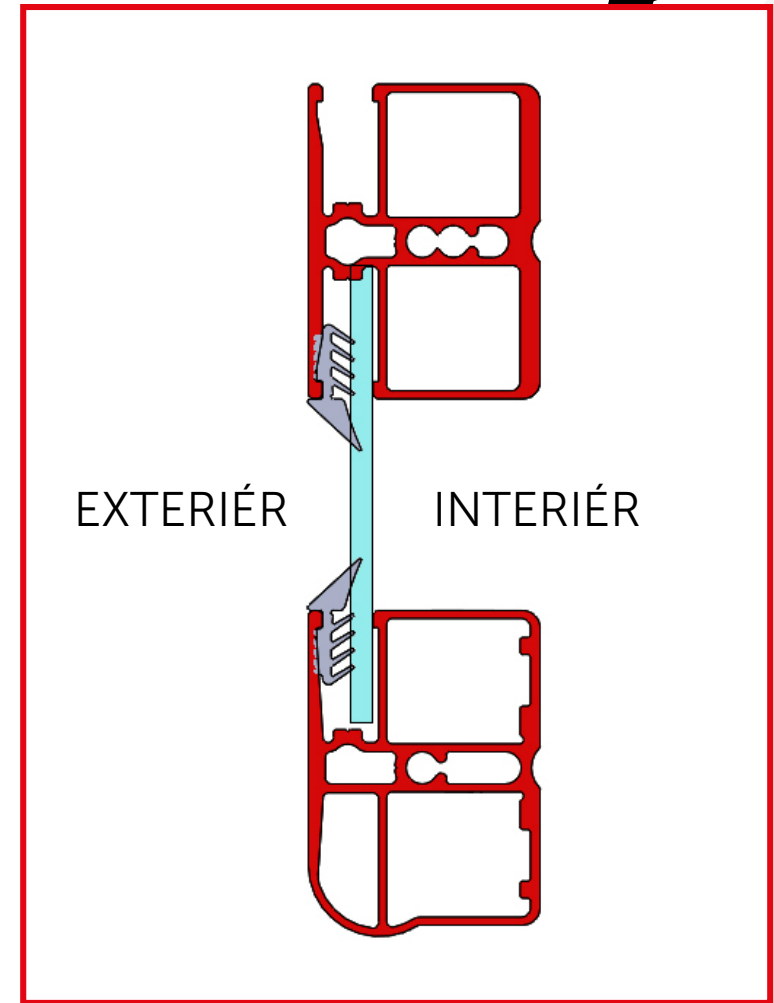
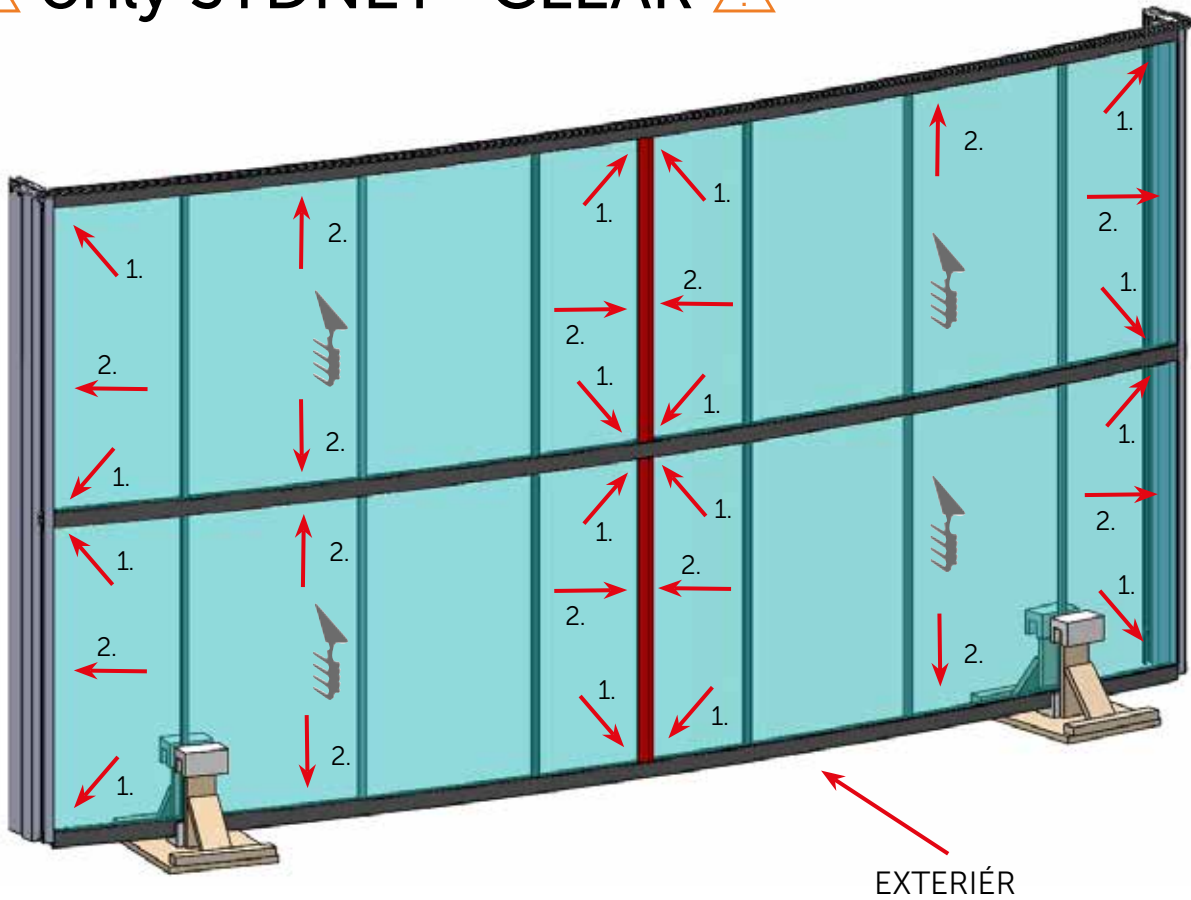


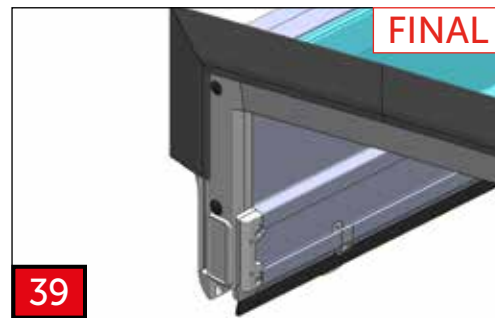
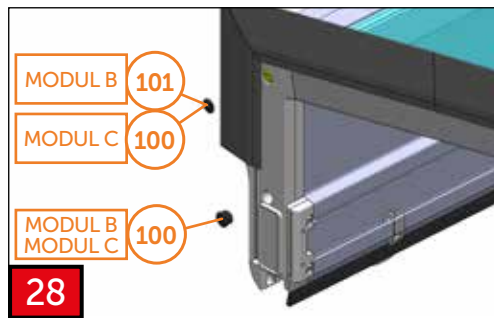
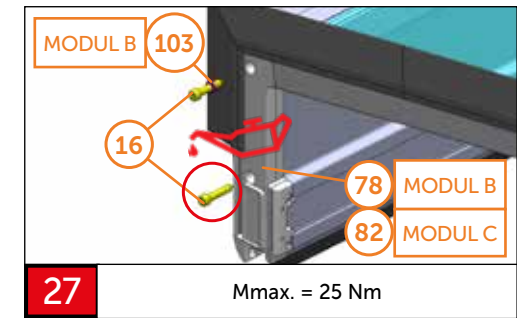
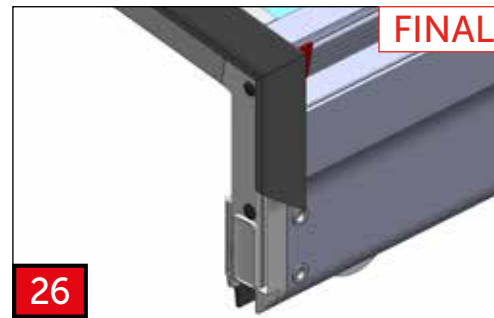
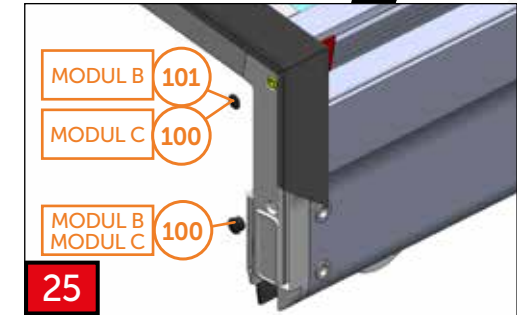
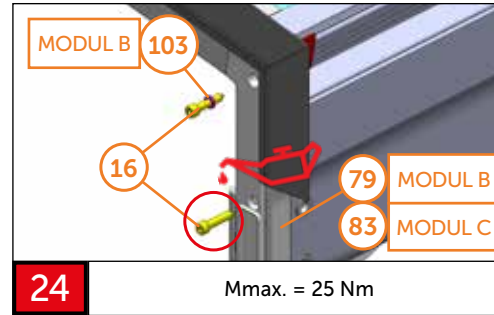
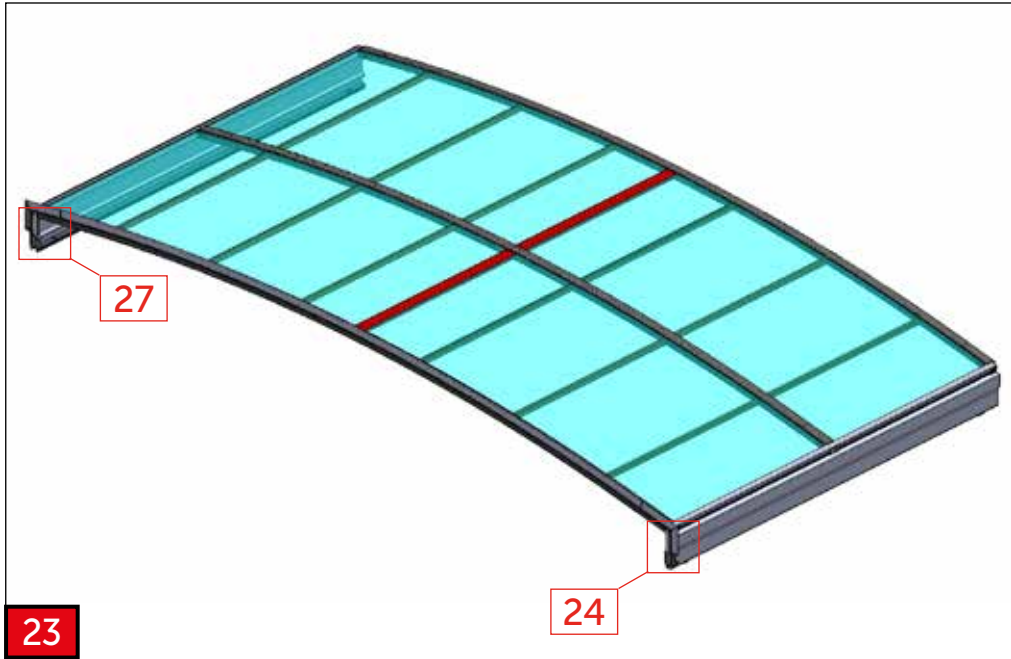


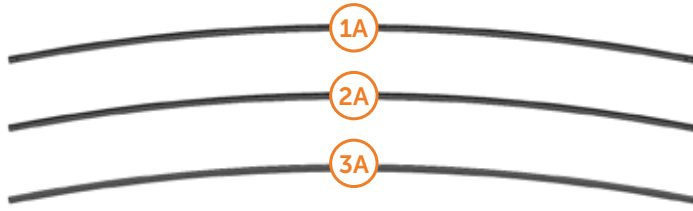




⚠ only SYDNEY CLEAR ⚠







1SP07-01-001

ø4 x 10

20x

7

1SZ03-01-035

DIN 914

M6x14

2x

8

1SZ29-01-008

2x

11

1SZ03-01-040

2x

12

1SP11-01-029

AN 9051

6,3 x 50

1x

13

1SP11-01-031

AN 9051

6,3 x 70

13x

14

1SP11-01-027

AN 9051

6,3 x 38

2x

15

1SP11-01-053

AN 9051 A4

6,3 x 32

8x

16

1NA03-01-050

1x

17

Sydney BS/ Clear BS 2Z04-01-SD004	906 mm
Sydney B/ Clear B 2Z04-01-SD001	1041 mm

12x

36

Sydney BS/ Clear BS 2Z05-01-SD005	906 mm
Sydney B/ Clear B 2Z05-01-SD001	1041 mm

2x

37

2Z12-03-DP020

215 mm

1x

45

2Z12-03-DP019

4049 mm

1x

47

"KL" = "KP"

Sydney BS/ Clear BS 2Z02-09-SR011	1880 mm
Sydney B/ Clear B 2Z02-09-SR001	2150 mm

1x

56

"KL" = "KP"

Sydney BS/ Clear BS 2Z02-09-SR012	1880 mm
Sydney B/ Clear B 2Z02-09-SR002	2150 mm

1x

57

Sydney BS/ Clear BS 2Z02-09-SD028	1880 mm
Sydney B/ Clear B 2Z02-09-SD027	2150 mm

2x

58

Sydney BS/ Clear BS	2040 x 915 mm
Sydney B/ Clear B	2040 x 1050 mm

MODULA

4x

60

2x

64

2x

66

2Z09-01-SD018

1x

MODULA

74

2Z09-01-SD019

1x

MODULA

75

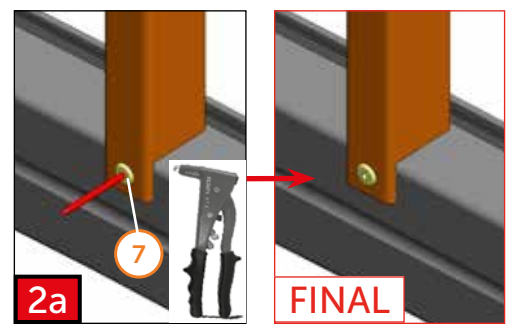
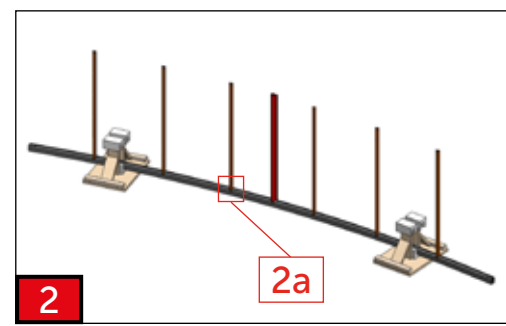
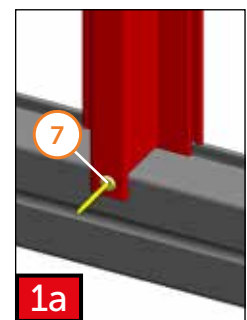
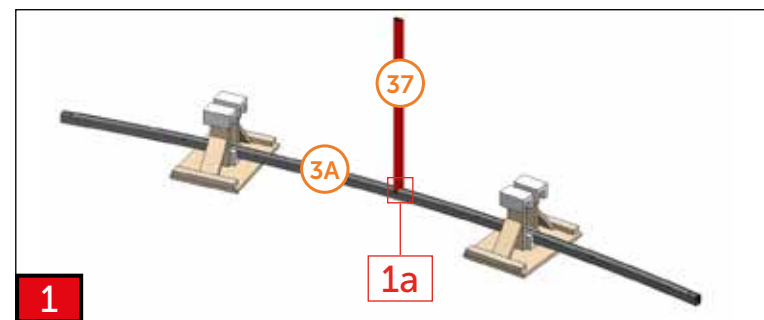
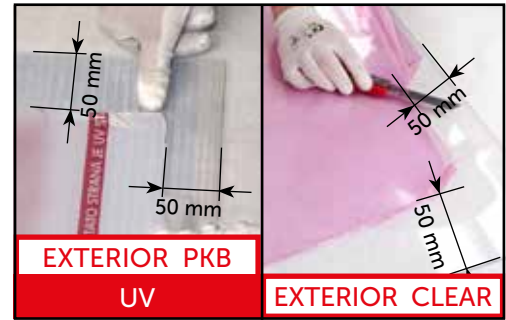
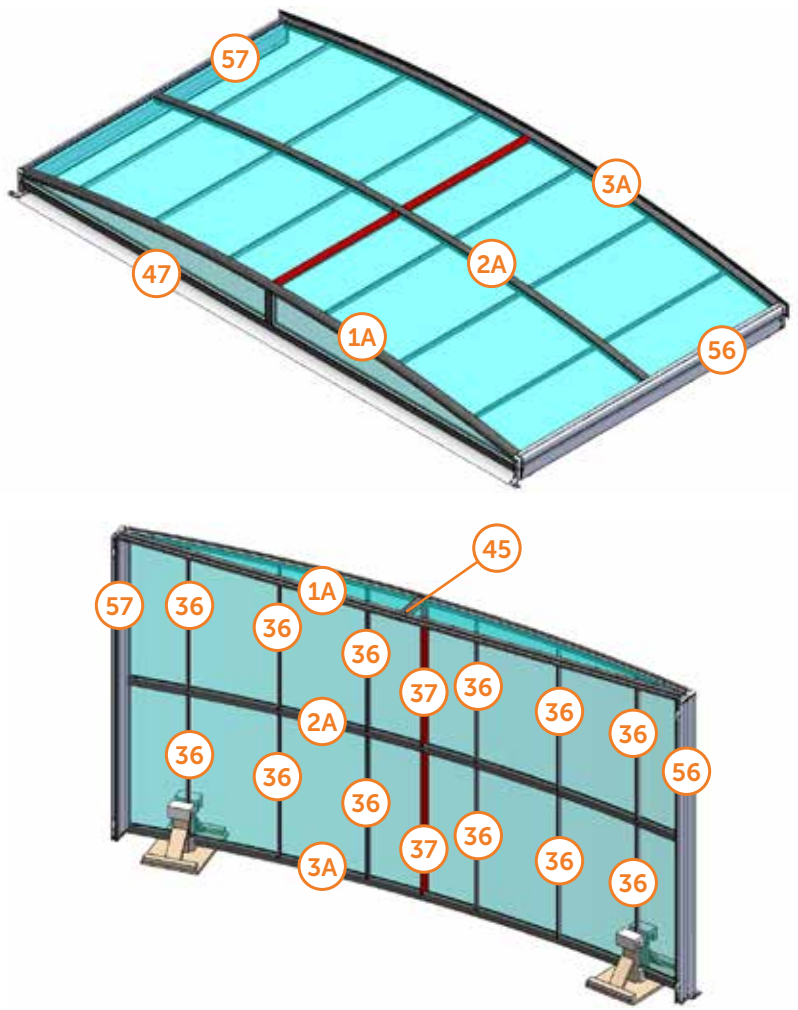
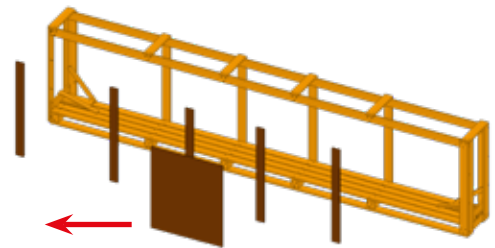
<p>1SP10-01-077</p> <p>DIN 912 M 5x65</p> <p>2x</p> <p>91</p>	<p>1SP10-01-084</p> <p>ISO 7380 M 6x20</p> <p>4x</p> <p>92</p>	<p>1SZ18-02-010</p> <p>2x</p> <p>93</p>	<p>1SZ18-02-012</p> <p>4x</p> <p>94</p>	<p>1SP11-01-049</p> <p>AN 9051 4,8x60</p> <p>6x</p> <p>95</p>	<p>1SP10-01-078</p> <p>DIN 912 M 6x65</p> <p>4x</p> <p>96</p>	<p>1SP10-01-082</p> <p>DIN 912 M 6x100</p> <p>4x</p> <p>97</p>	<p>1SZ03-01-038</p> <p>2x</p> <p>98</p>
<p>1SZ03-01-030</p> <p>4x</p> <p>99</p>	<p>1SZ12-01-010</p> <p>6x</p> <p>100</p>	<p>1SZ12-01-012</p> <p>2x</p> <p>101</p>	<p>1SZ29-01-009</p> <p>ø 10,2 mm</p> <p>2x</p> <p>103</p>	<p>1SZ12-01-052</p> <p>2x</p> <p>104</p>	<p>1SZ12-01-051</p> <p>2x</p> <p>10</p>		
<p>2Z09-01-SD016</p> <p>1x</p> <p>72</p> <p>MODUL A</p>		<p>2Z09-01-SD017</p> <p>1x</p> <p>73</p> <p>MODUL A</p>					
<p>1SZ18-02-001</p> <p>1x</p> <p>3</p> <p>MODUL A</p>		<p>1SZ18-02-002</p> <p>1x</p> <p>4</p> <p>MODUL A</p>					

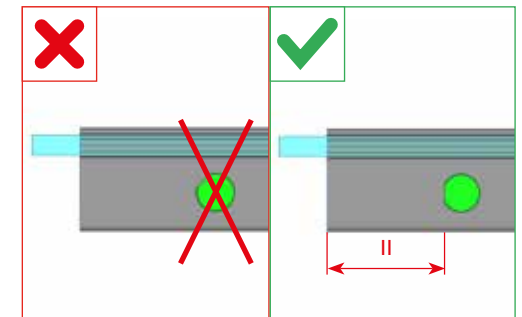
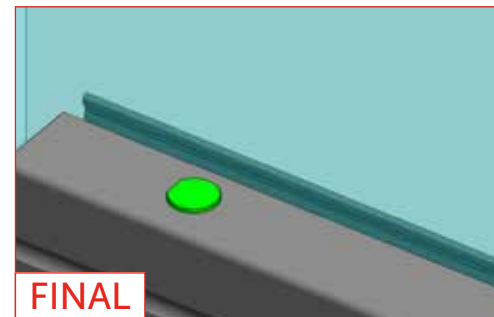
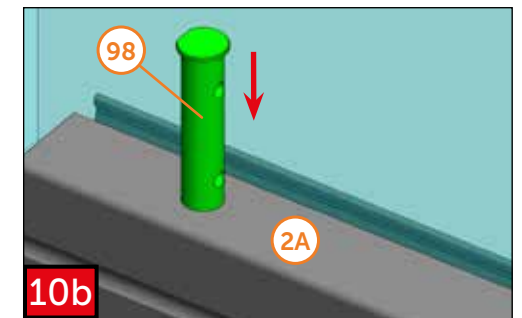
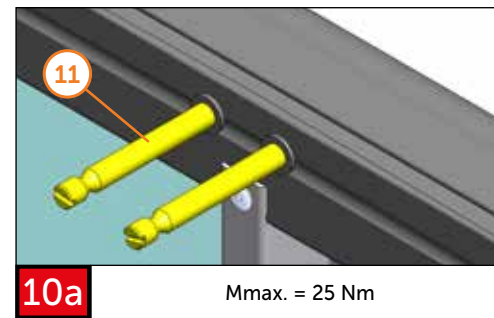
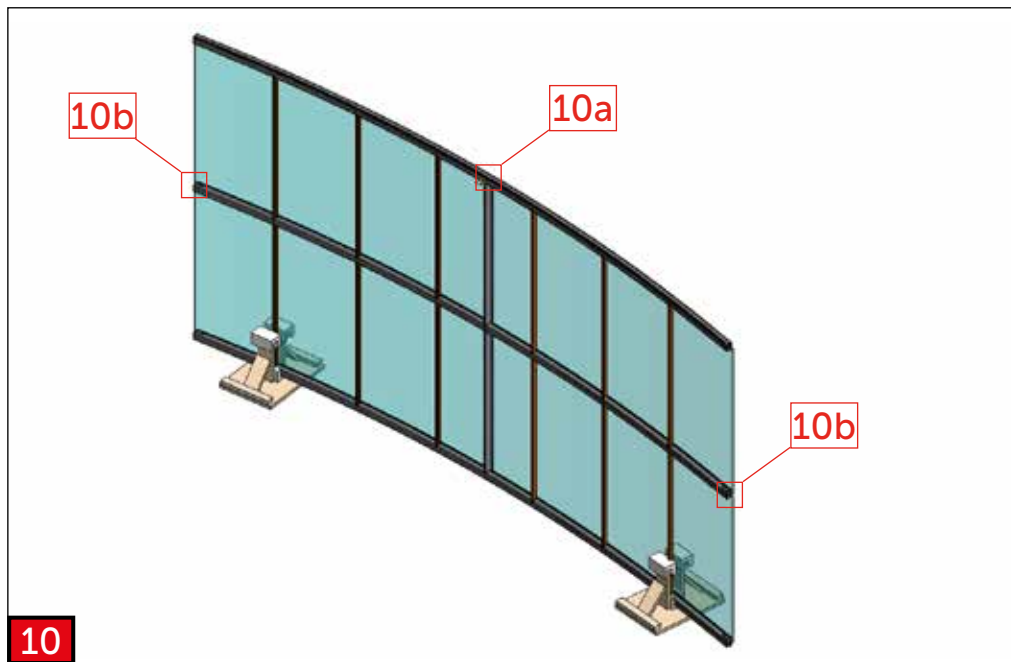
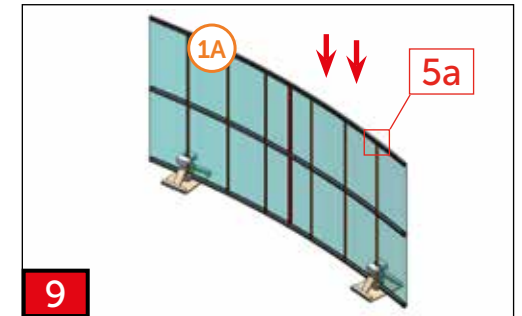
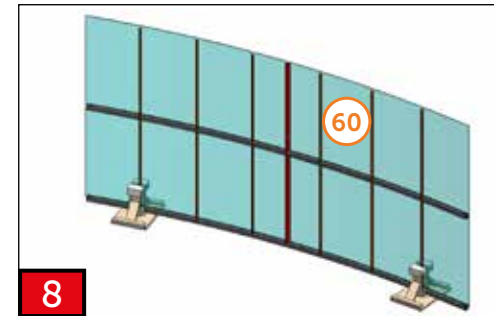
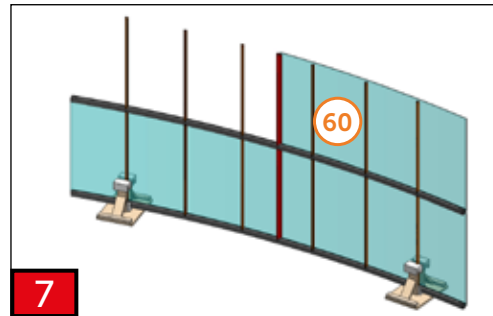
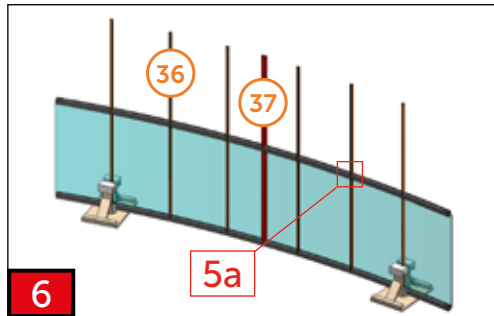
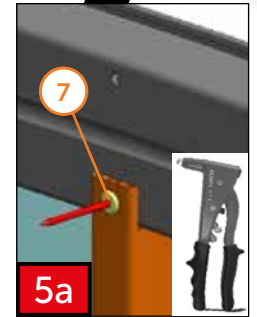
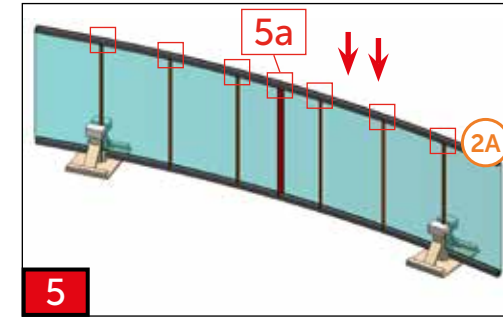
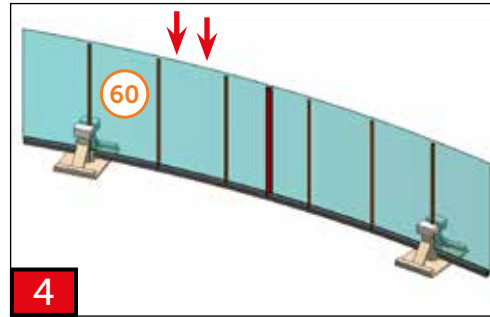
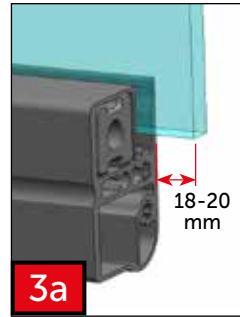
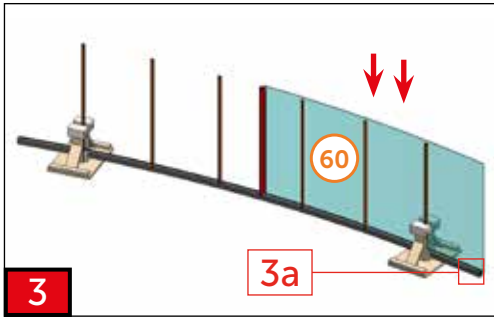


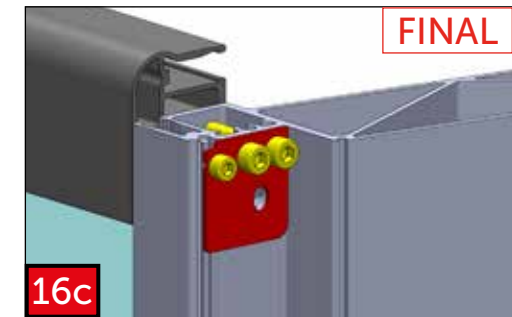
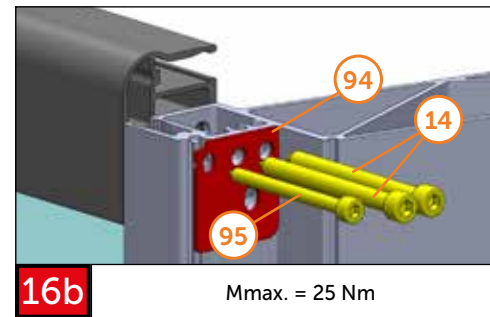
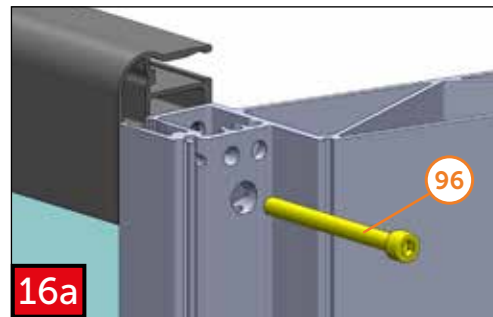
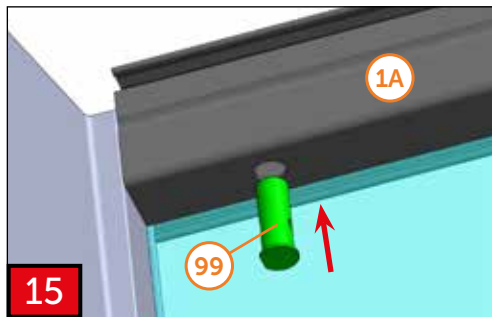
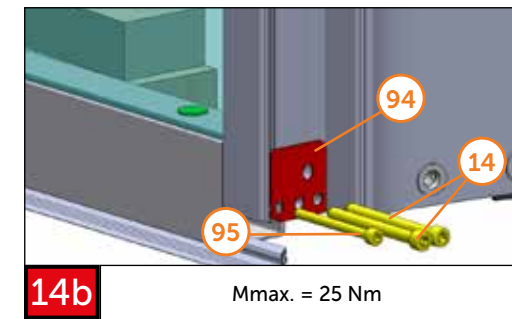
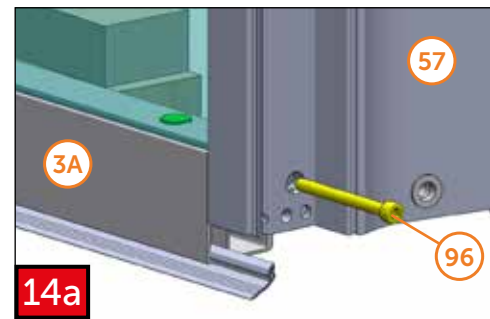
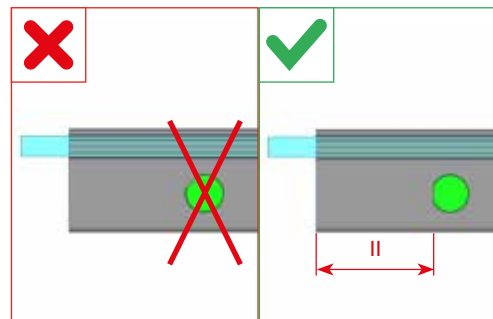
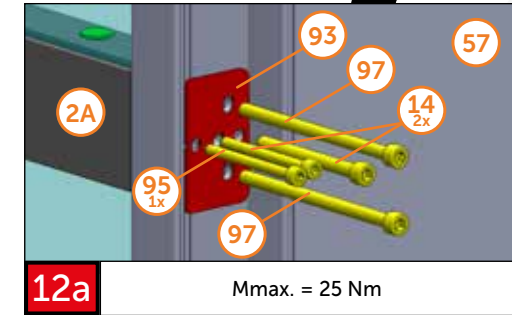
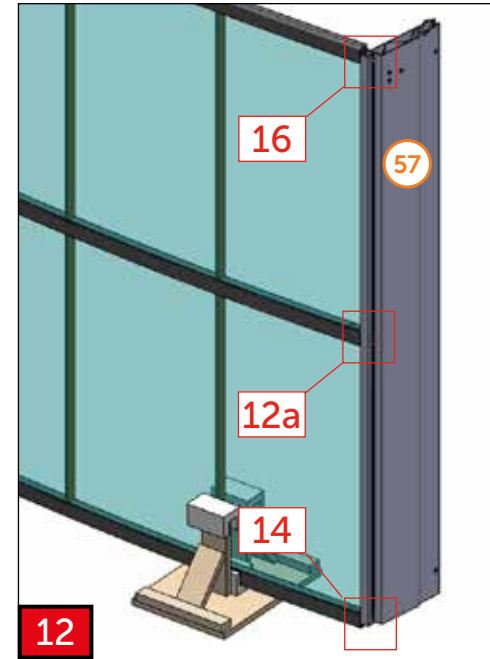
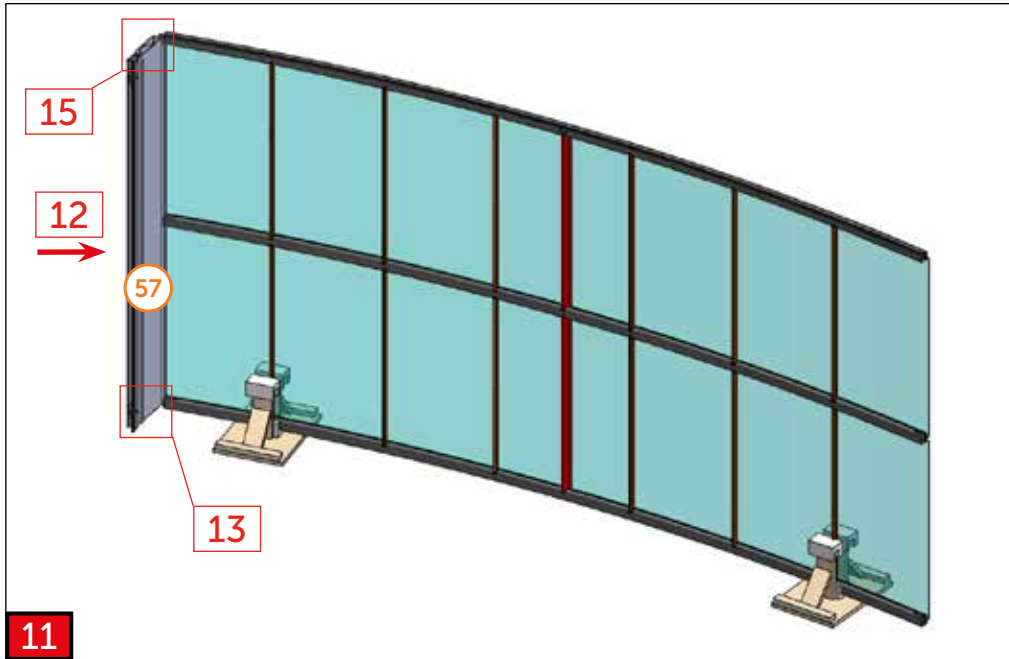
Pomocný držák pro montáž modulu
Auxiliary holder for the assembly of module
Zusätzliche Halterung für die Modulmontage
Support auxiliaire pour l'assemblage du module
Вспомогательный держатель для сборки модуля

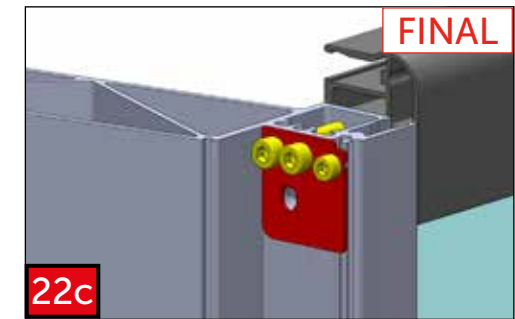
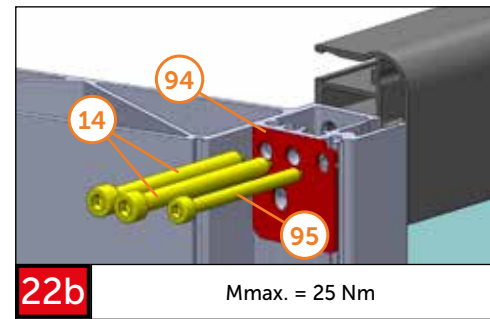
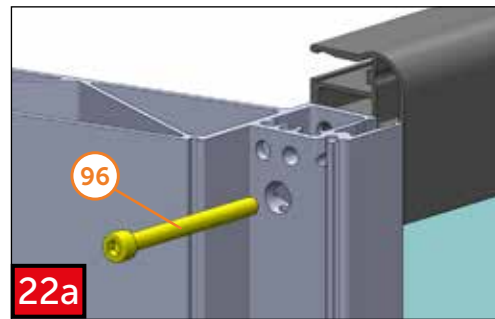
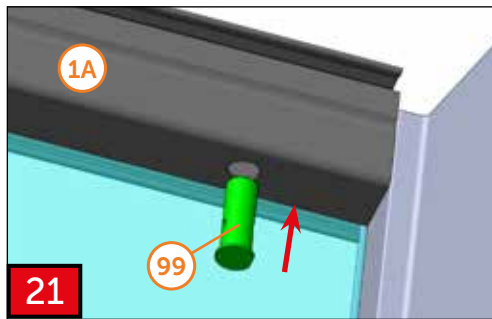
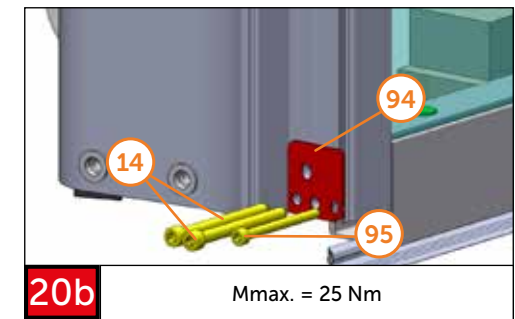
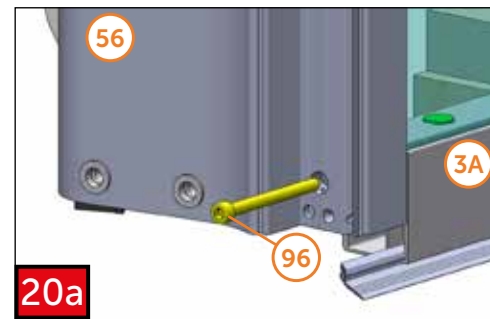
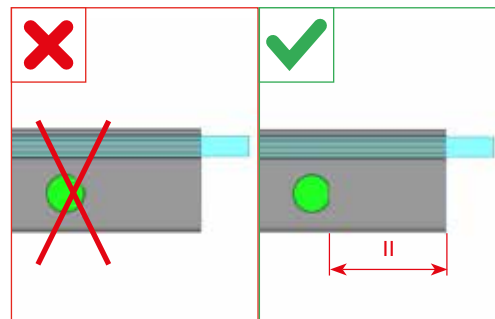
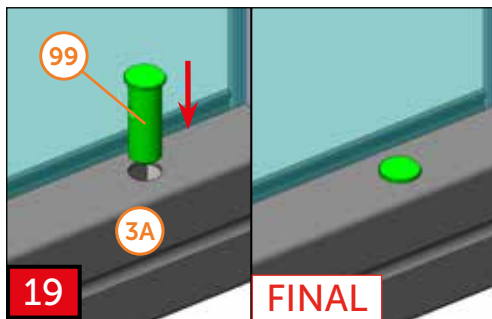
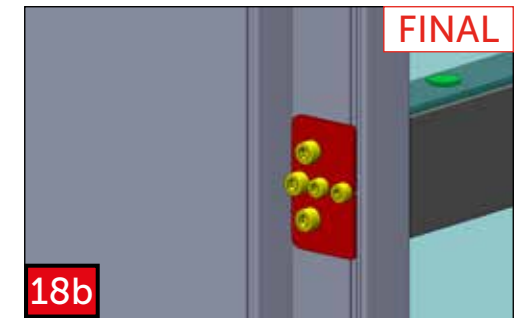
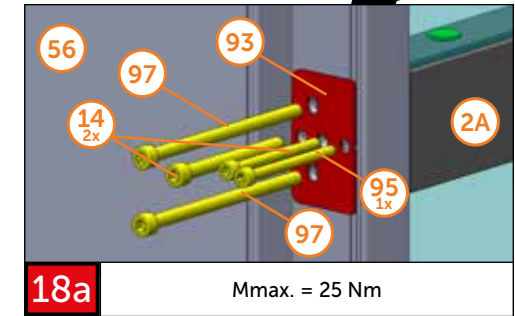
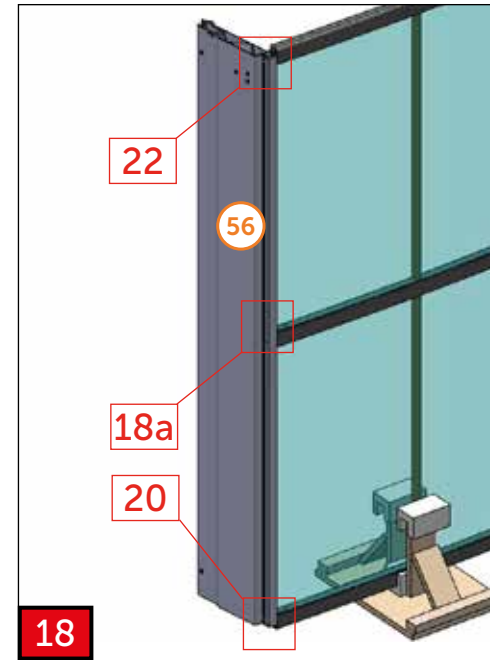
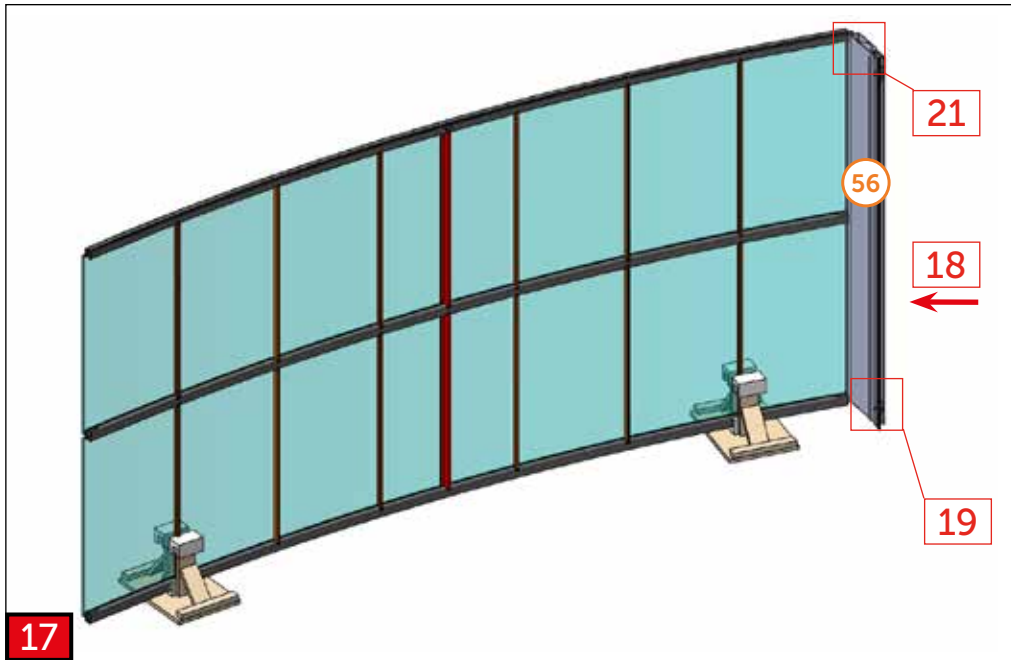


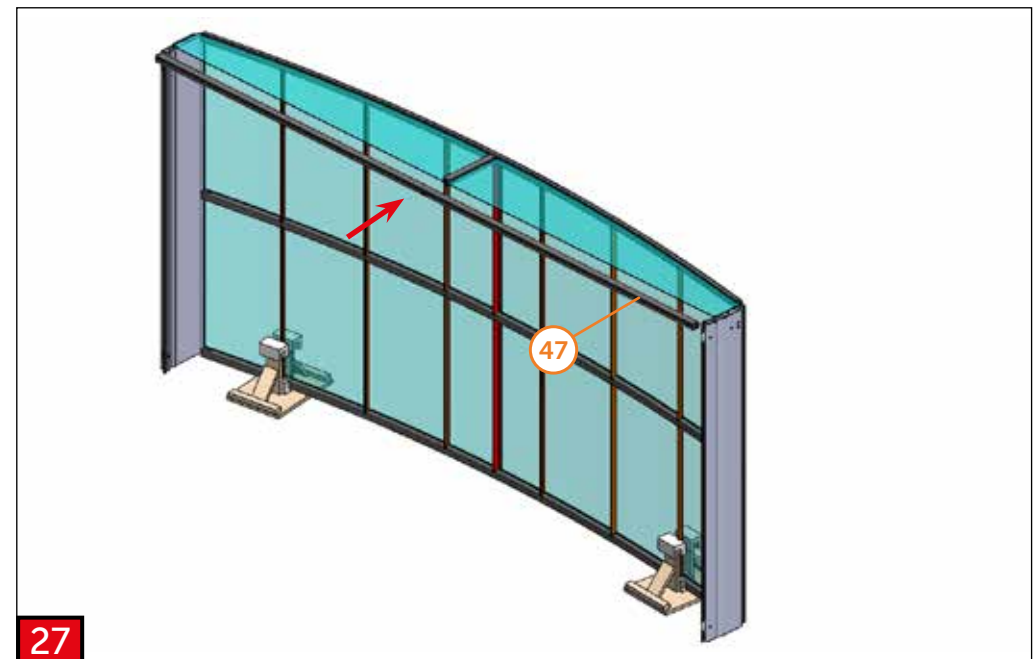
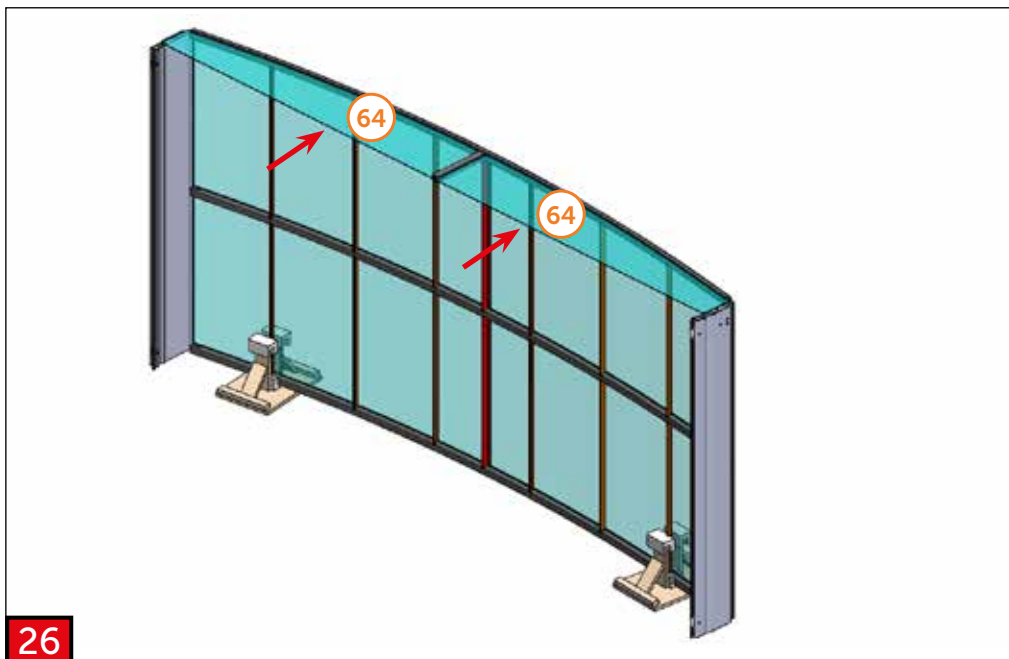
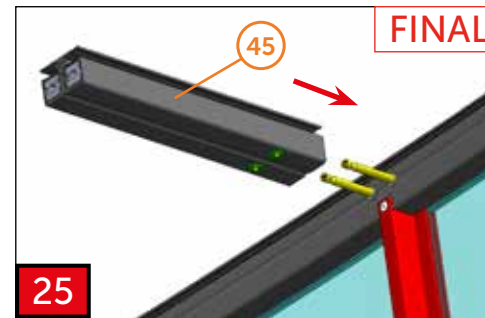
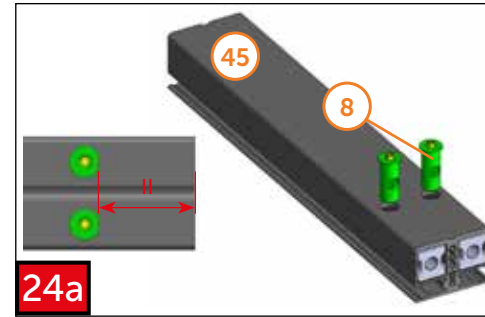
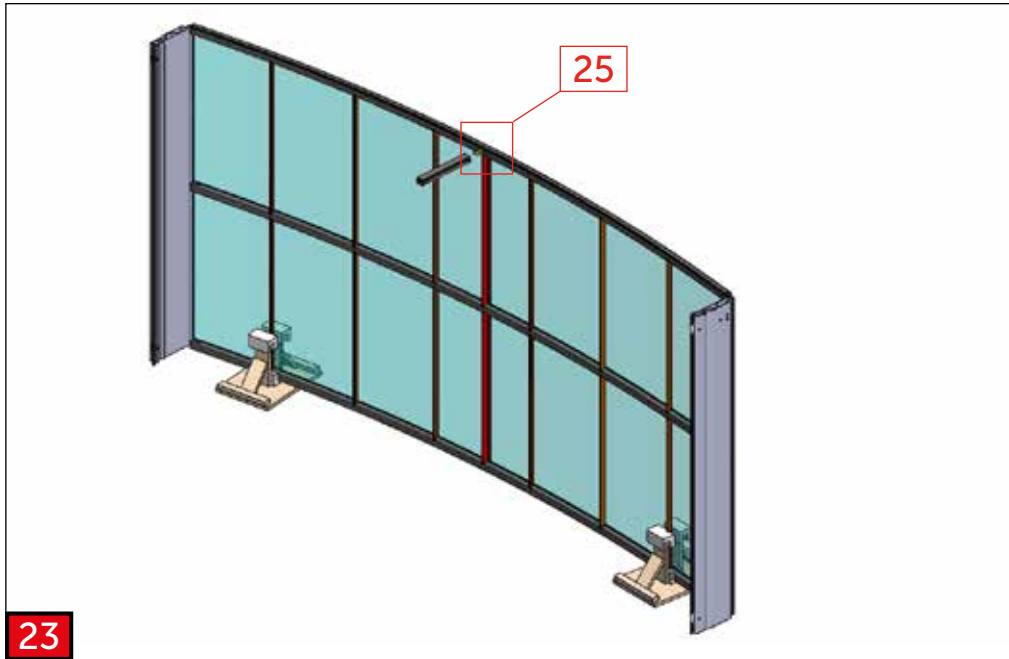
Nutné zajistit modul proti překlopení. Doporučujeme vyrobit držák z balení (prkna + výložky) nebo zajistit jiným způsobem.
 The module must be secured against falling. We recommend that you make a holder from the transport box (boards + foam liner) or that you secure the module in other safe way.
 Das Modul muss gegen Umkippen gesichert werden. Wir empfehlen, einen Halter aus der Verpackung (Bretter + Liner) zu machen oder das Modul auf andere Weise zu sichern.
 Il est nécessaire d'assurer le module contre son renversement. Nous recommandons de fabriquer le support de l'emballage (les planches + les parements) ou de l'assurer autrement.
 Необходимо обезопасить модуль от опрокидывания. Мы рекомендуем сделать держатель из упаковки (доски + вкладыши) или закрепить его другим способом.

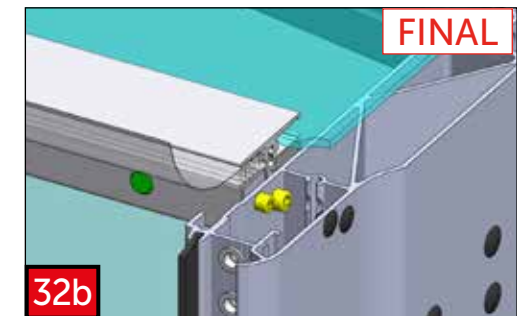
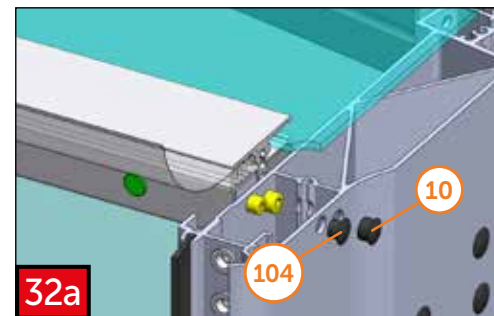
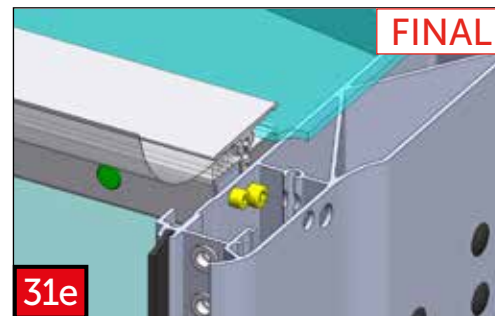
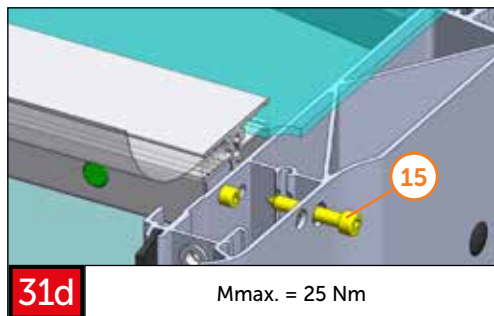
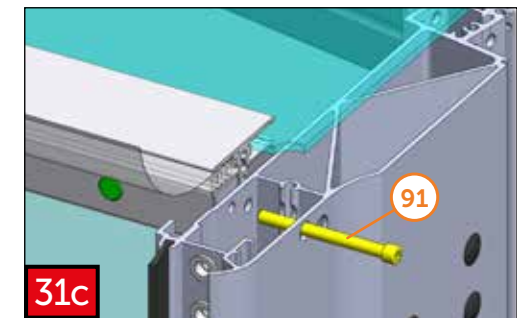
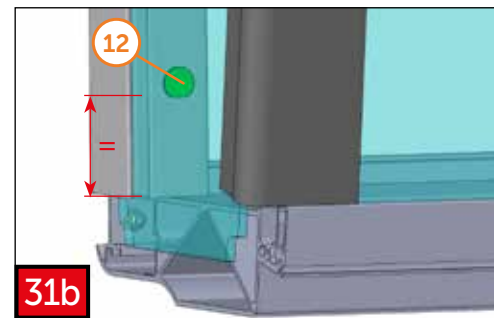
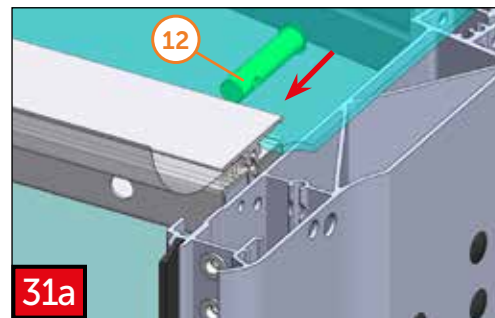
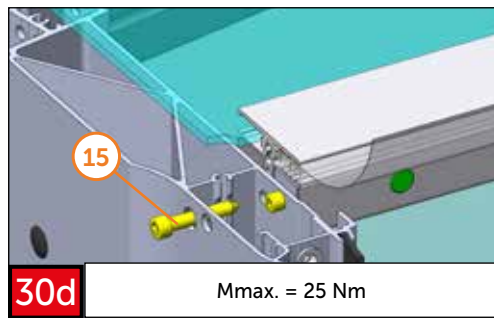
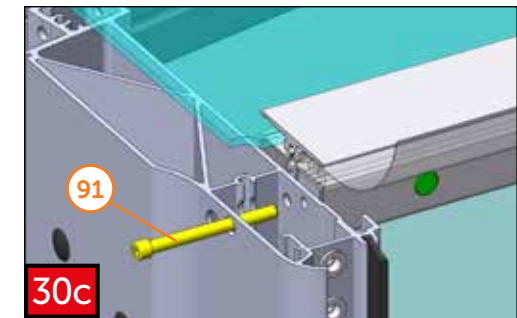
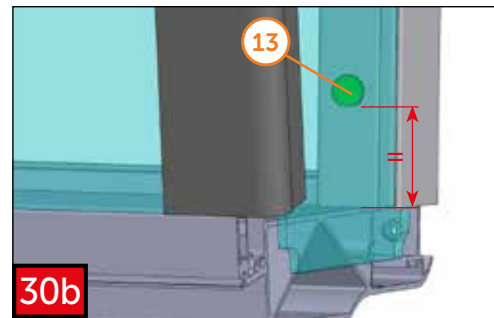
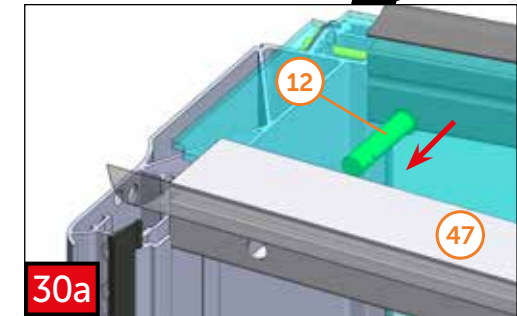
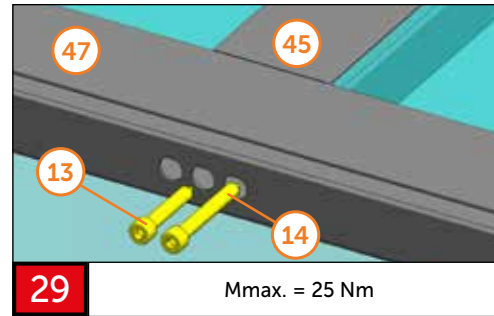
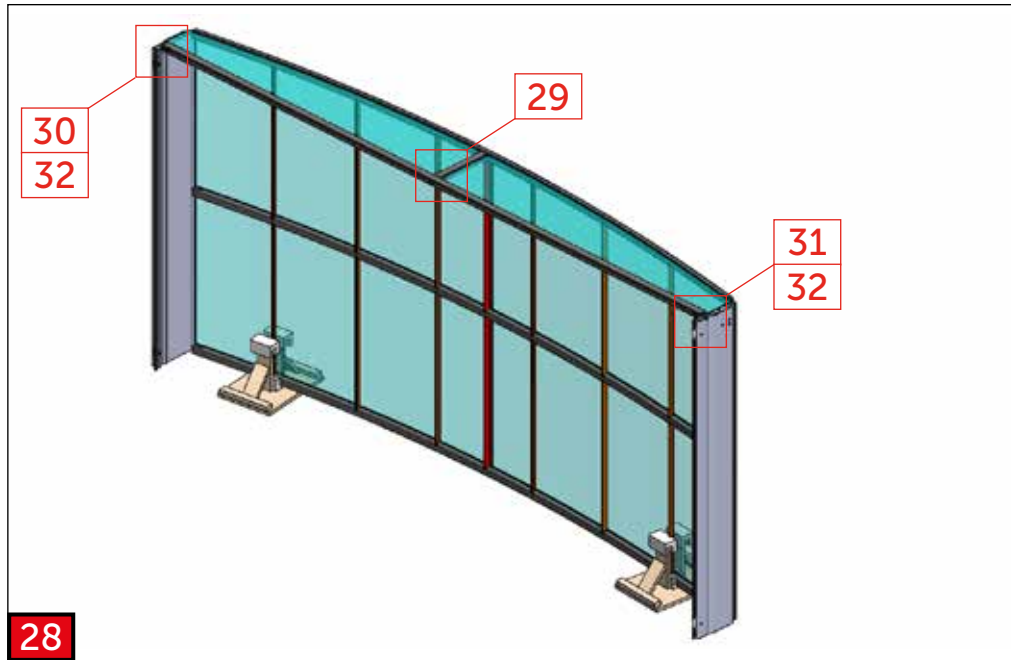




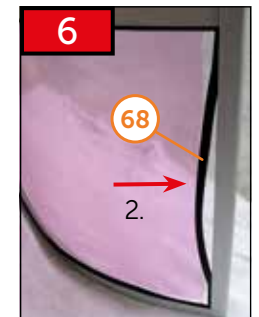
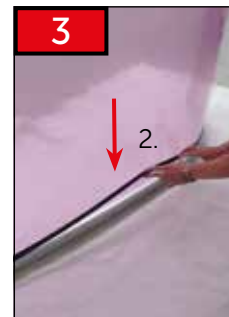
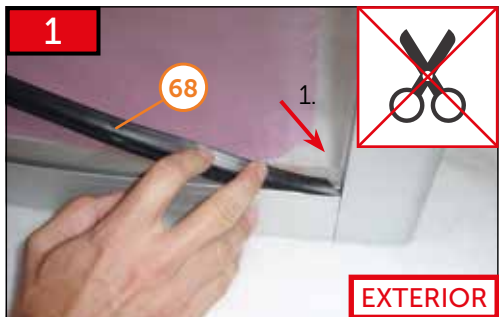
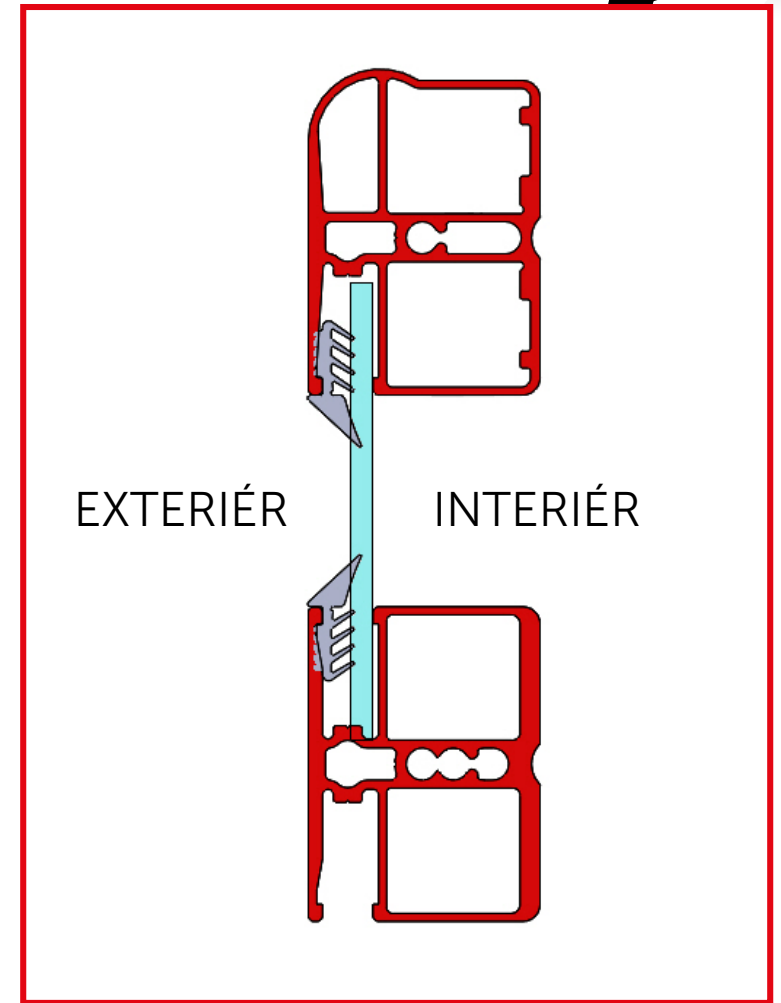
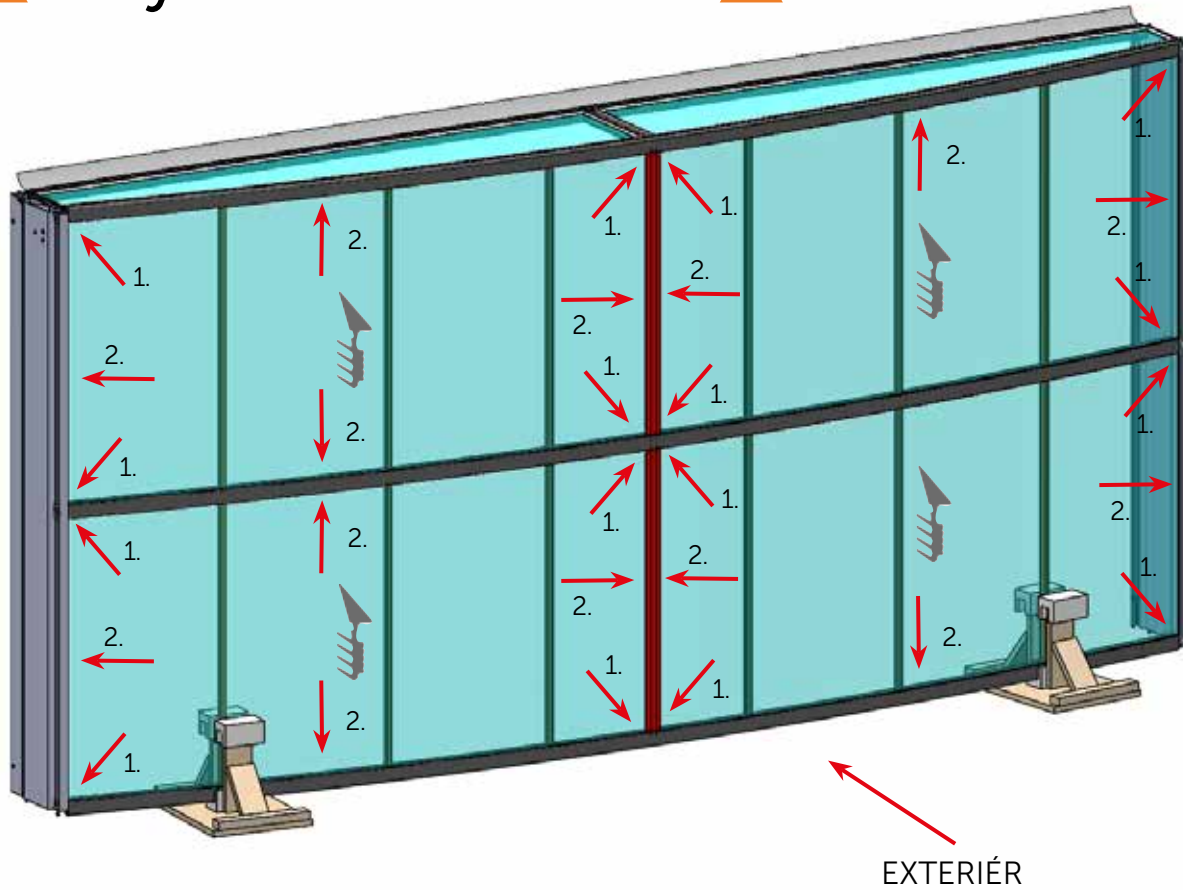


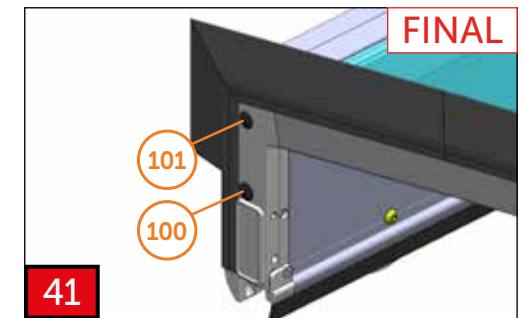
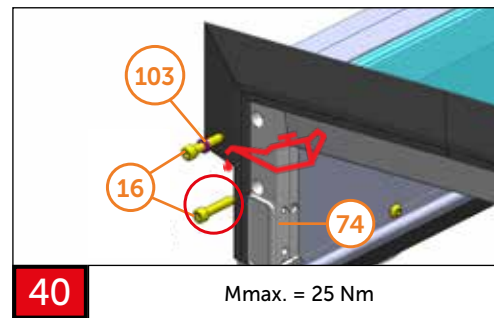
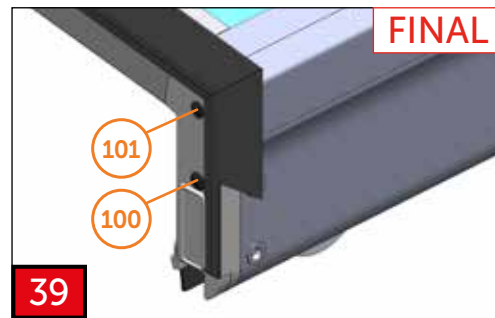
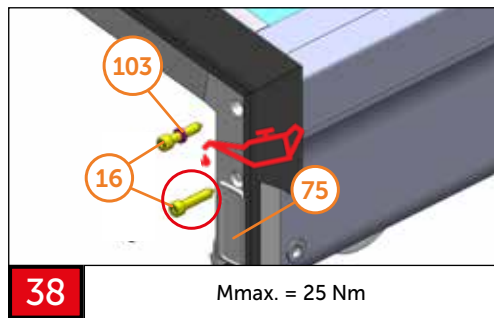
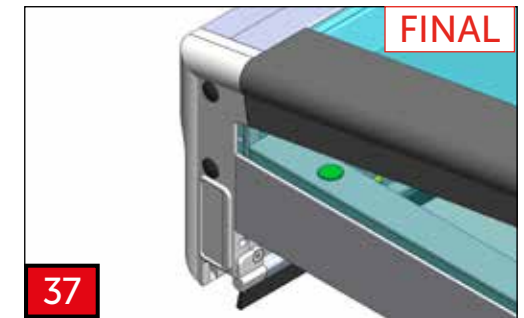
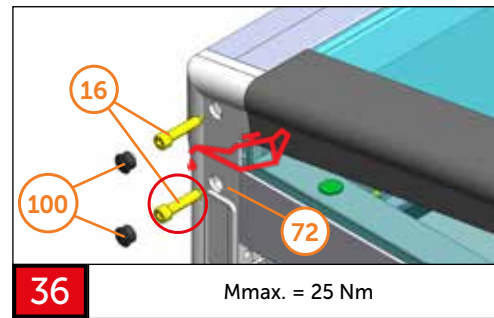
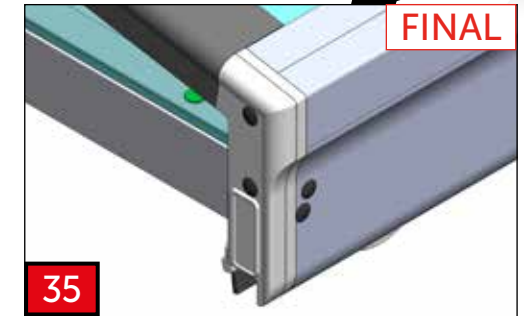
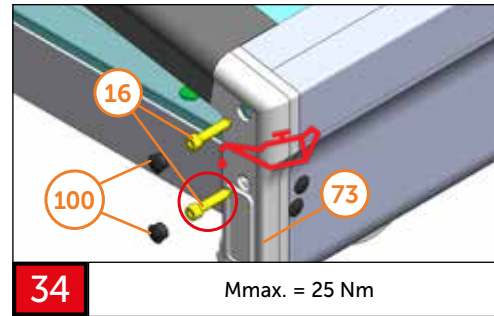
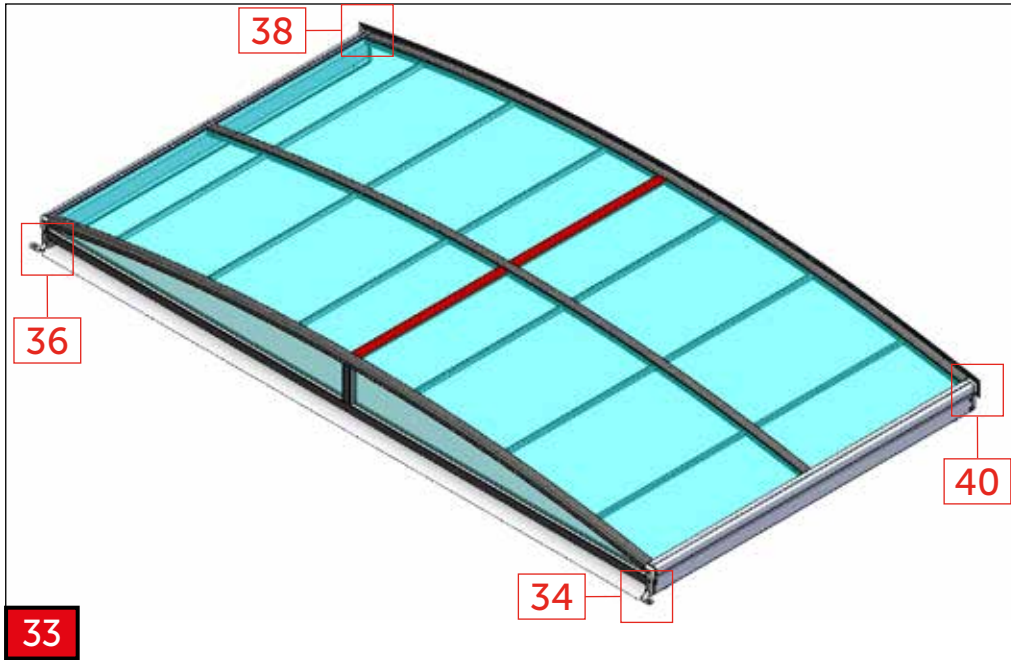


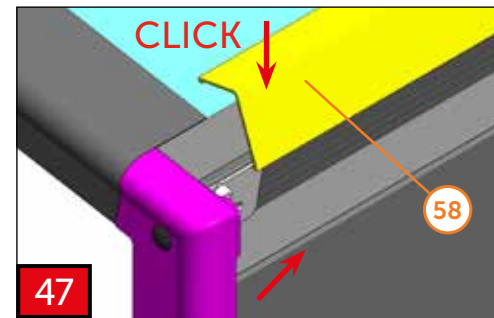
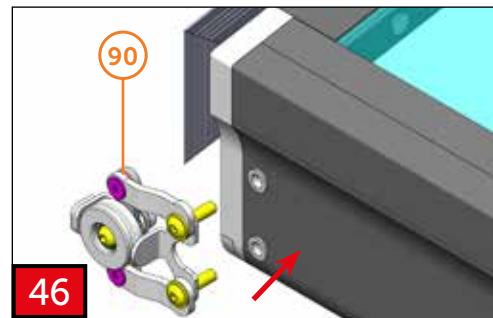
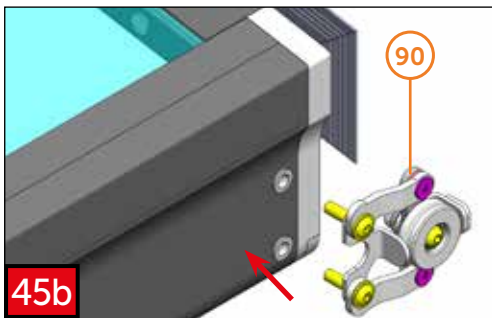
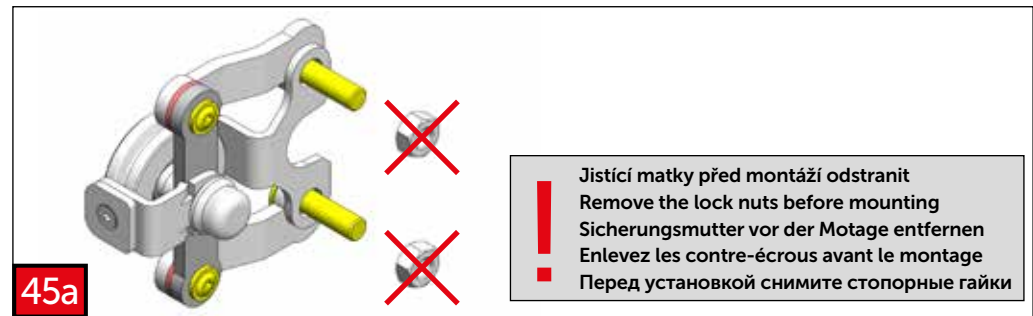
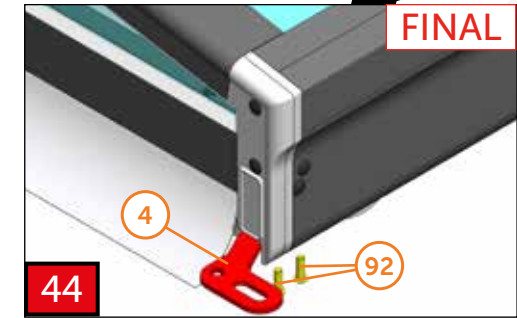
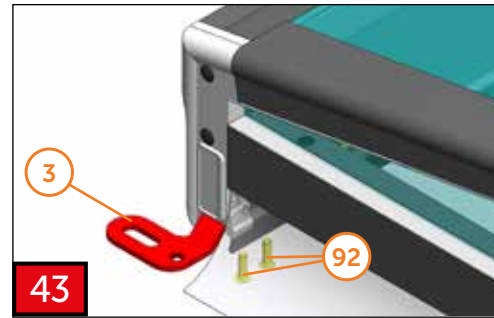
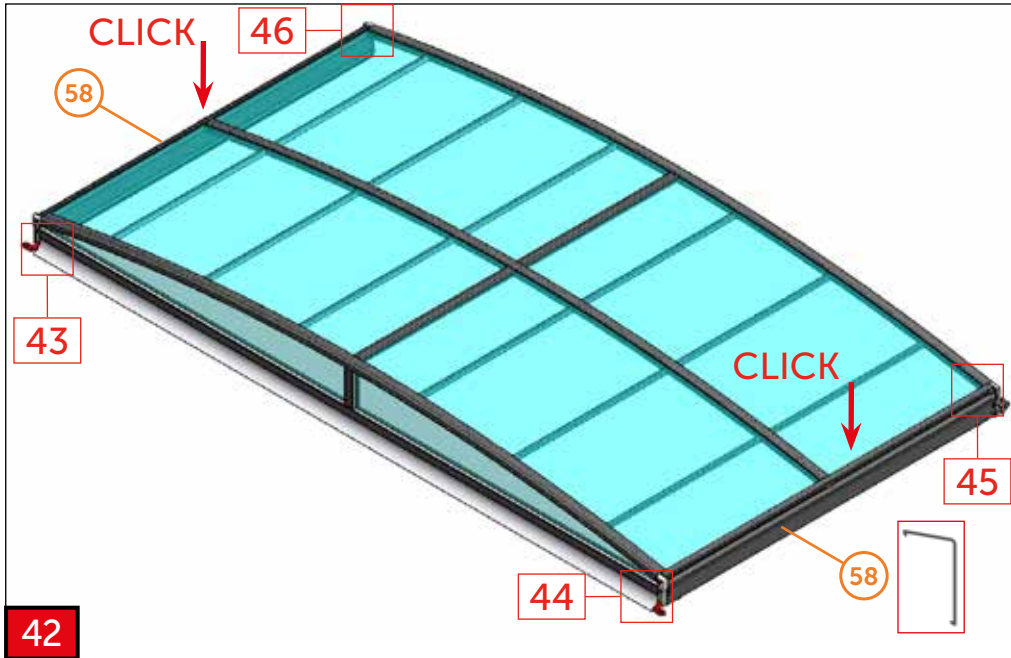




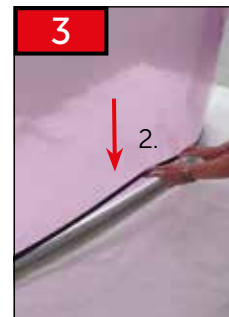
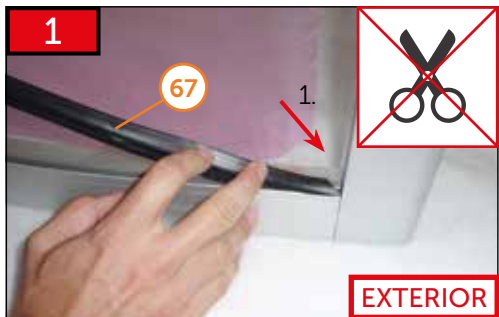
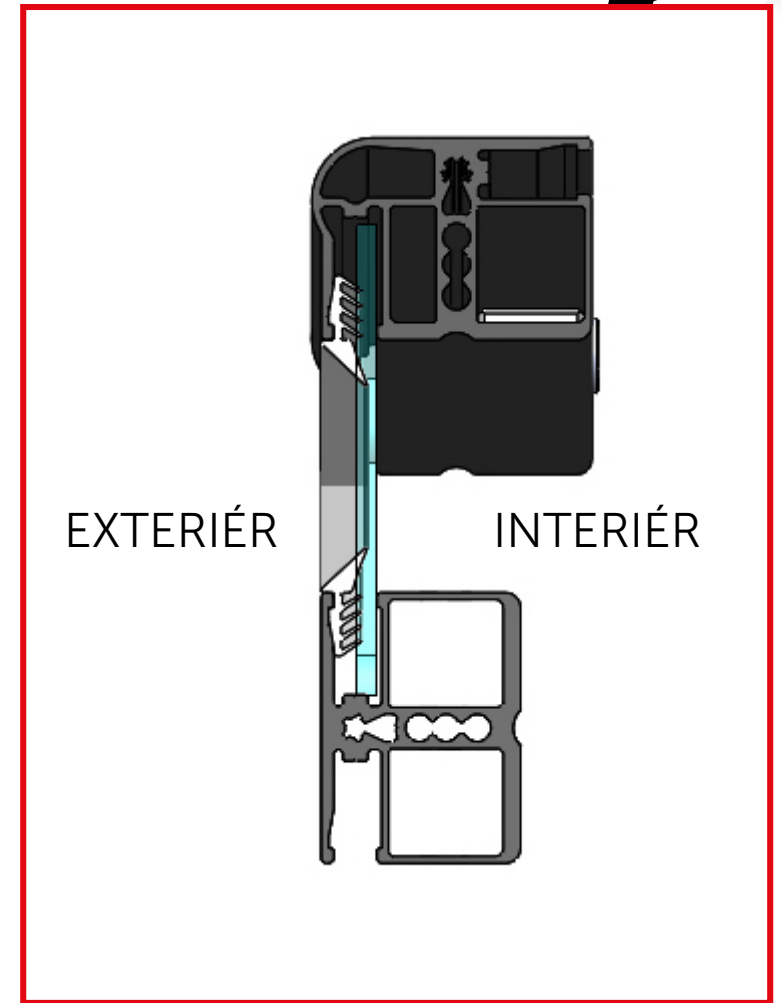
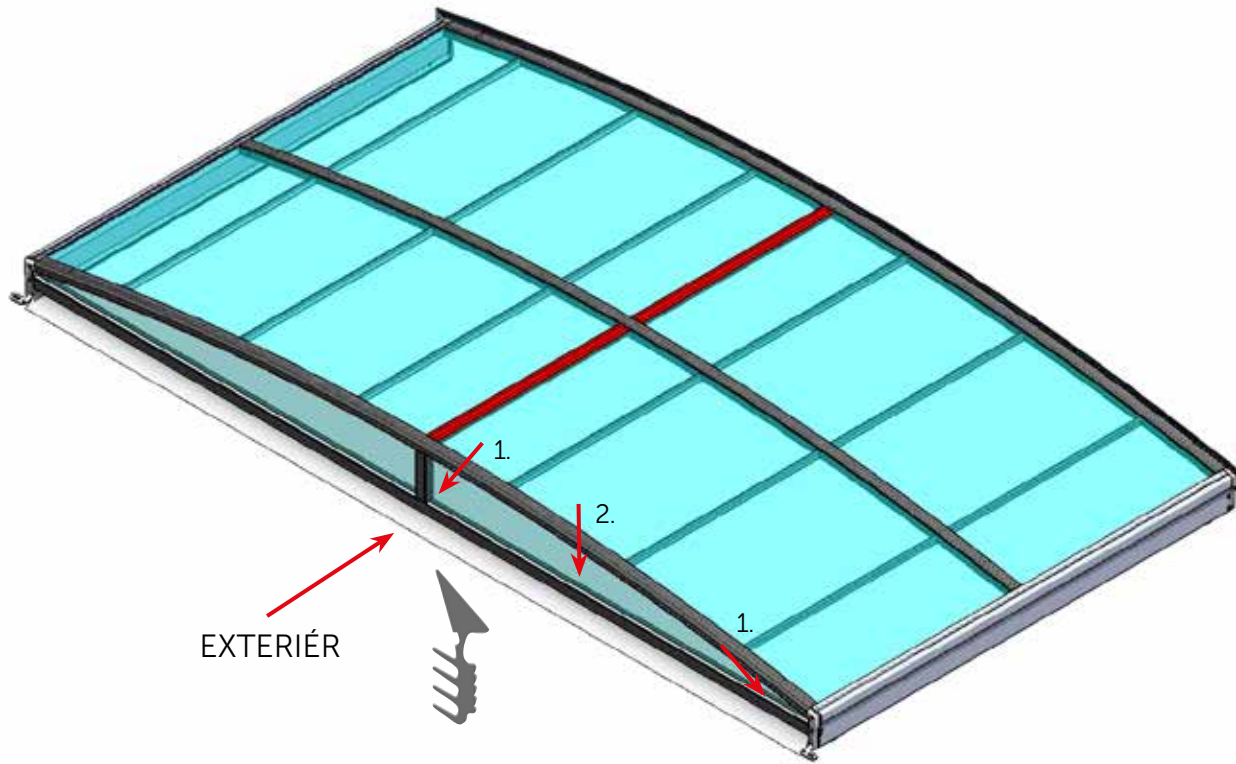
⚠ only SYDNEY CLEAR ⚠





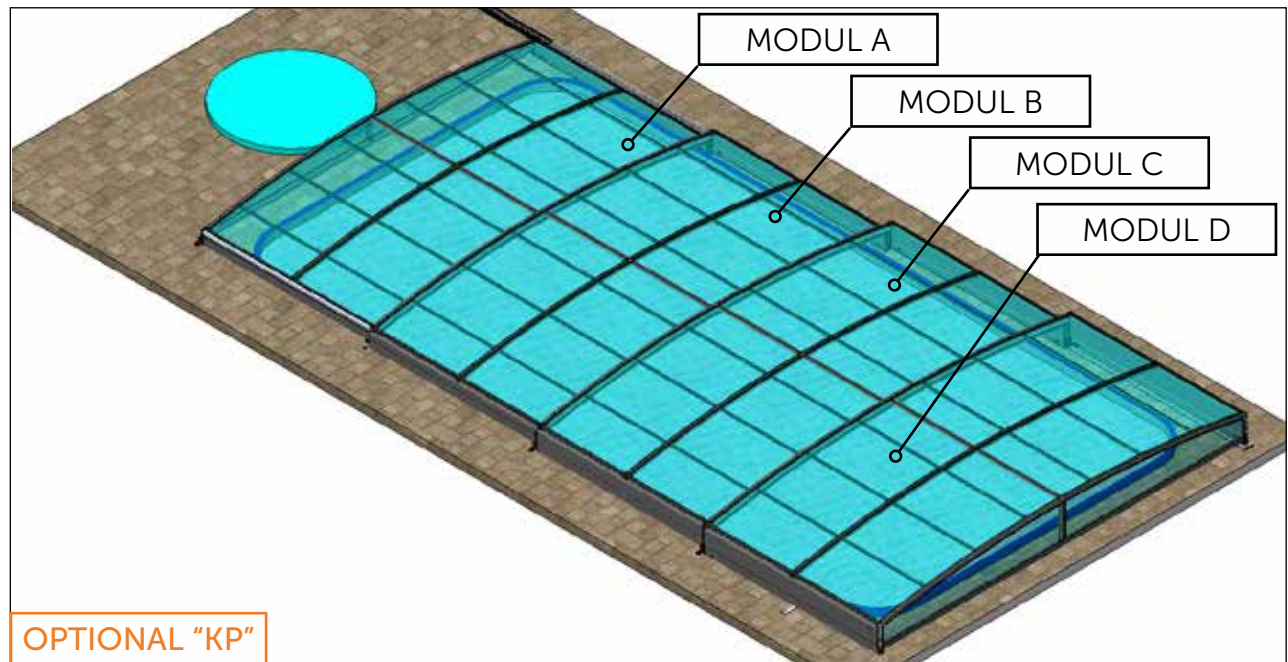
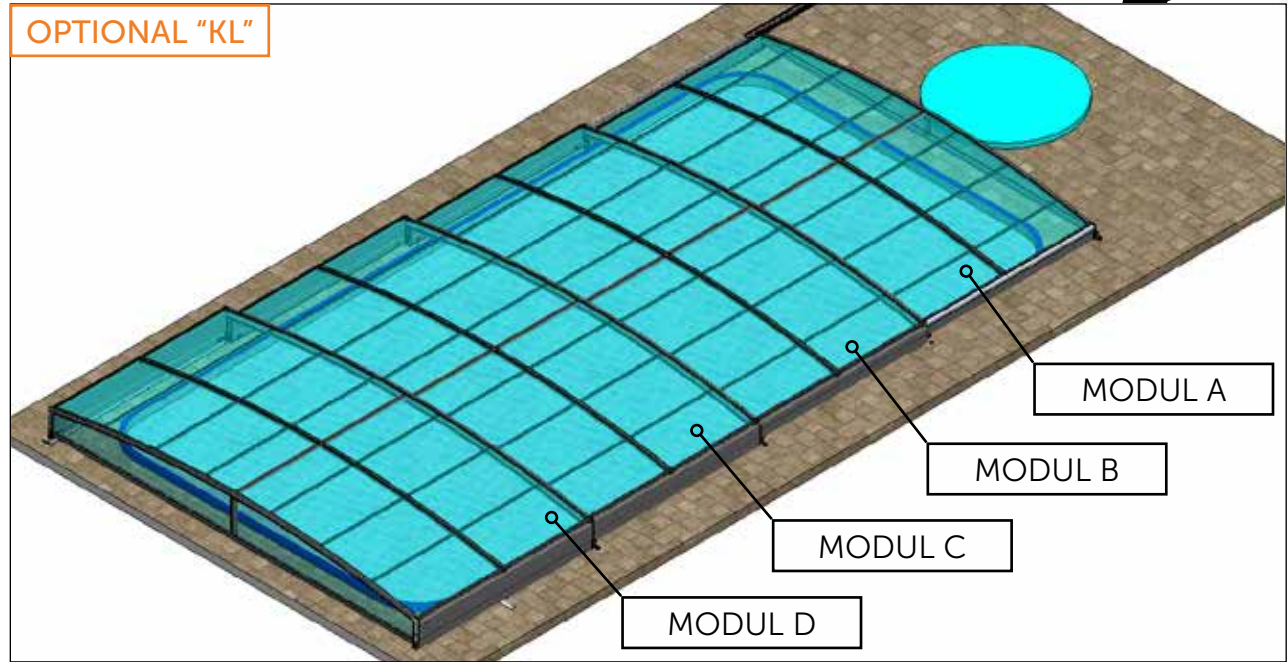


⚠ only SYDNEY CLEAR ⚠



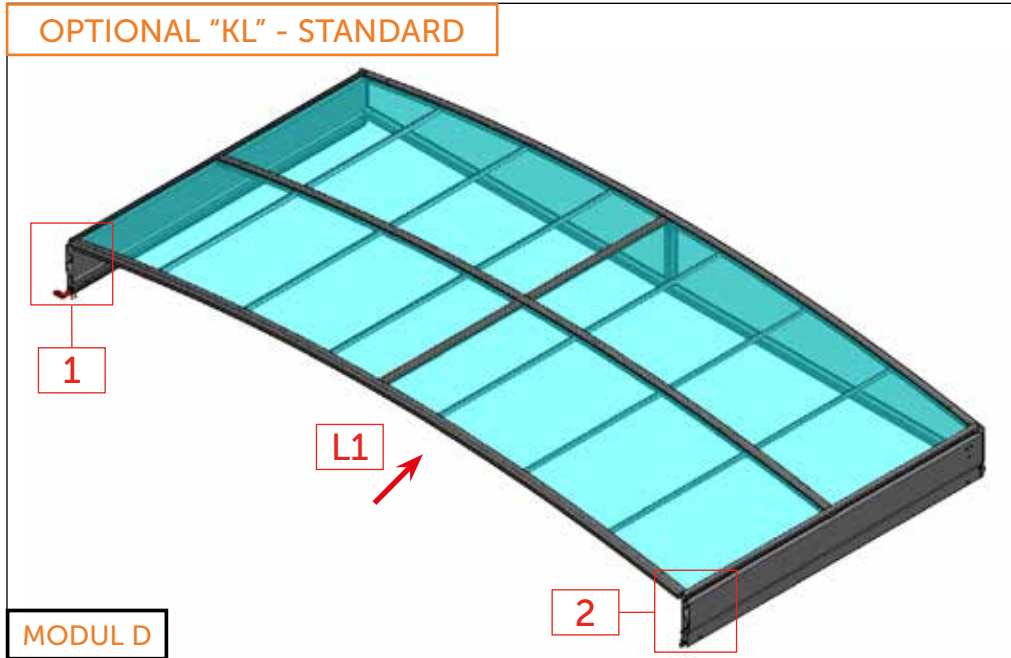
Umístění modulů na bazén
 Placing of modules on the swimming pool
 Lage der Module auf dem Pool
 Emplacement des modules au-dessus de la piscine
 Расположение модулей на бассейне

OPTIONAL "KL"

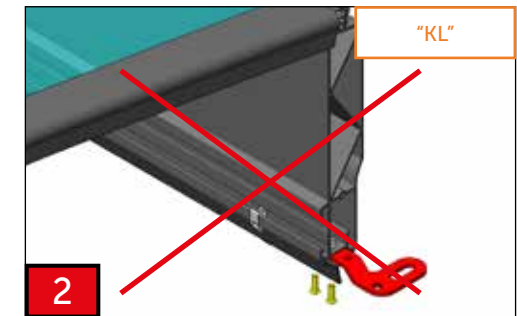
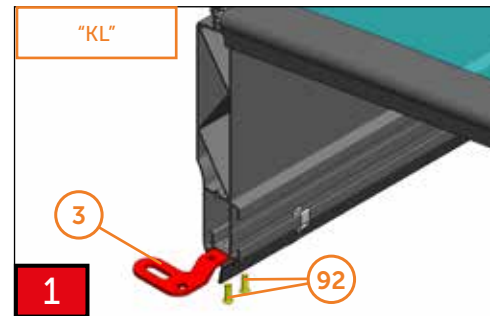
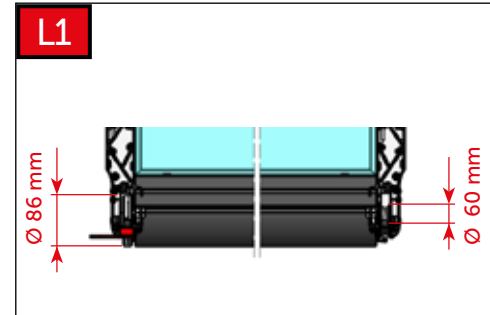


OPTIONAL "KP"

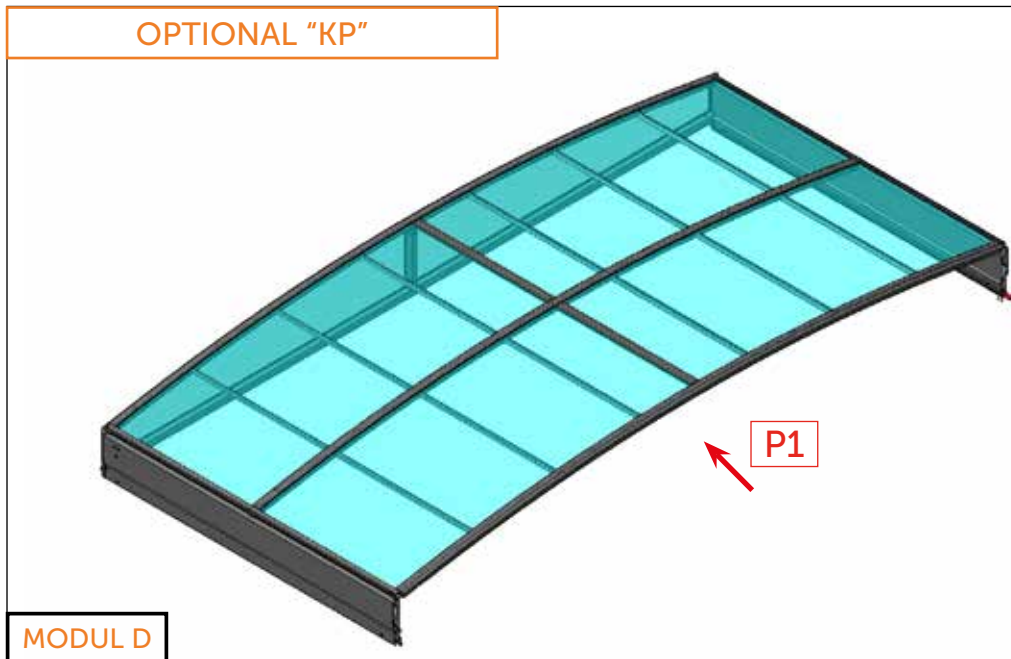
OPTIONAL "KL" - STANDARD



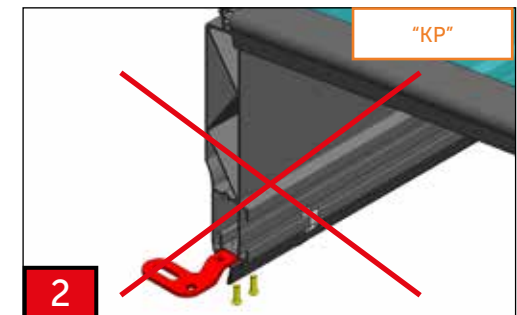
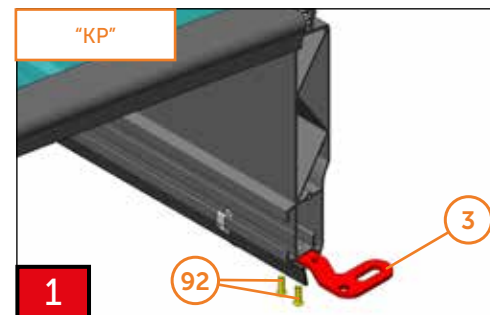
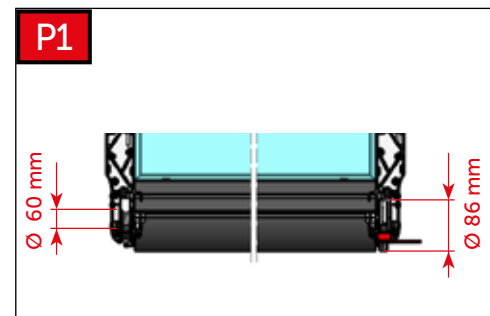
MODUL D

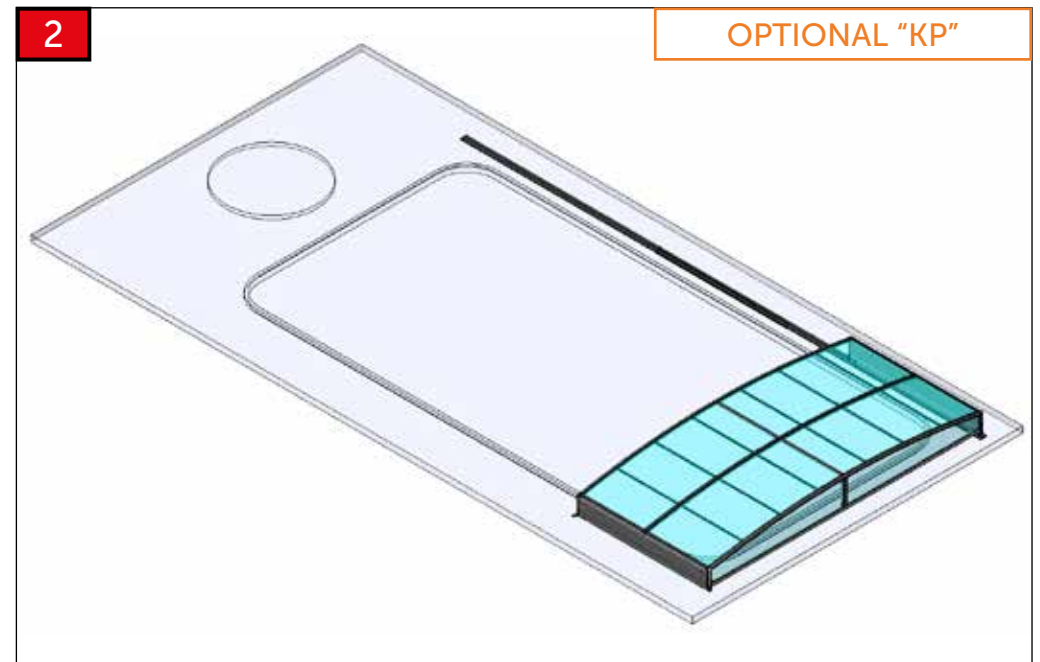
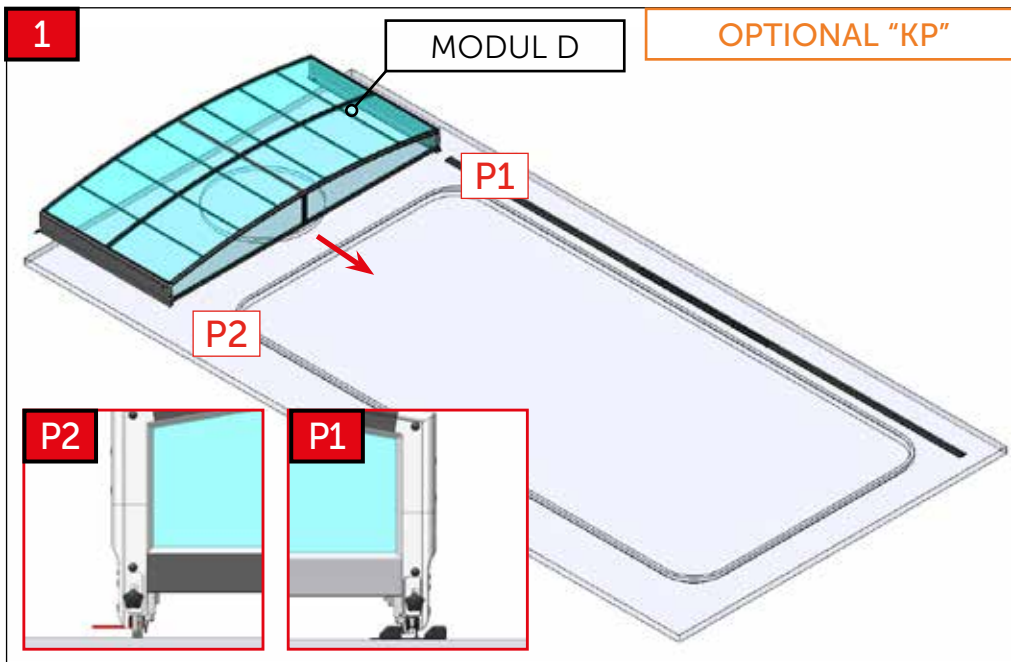
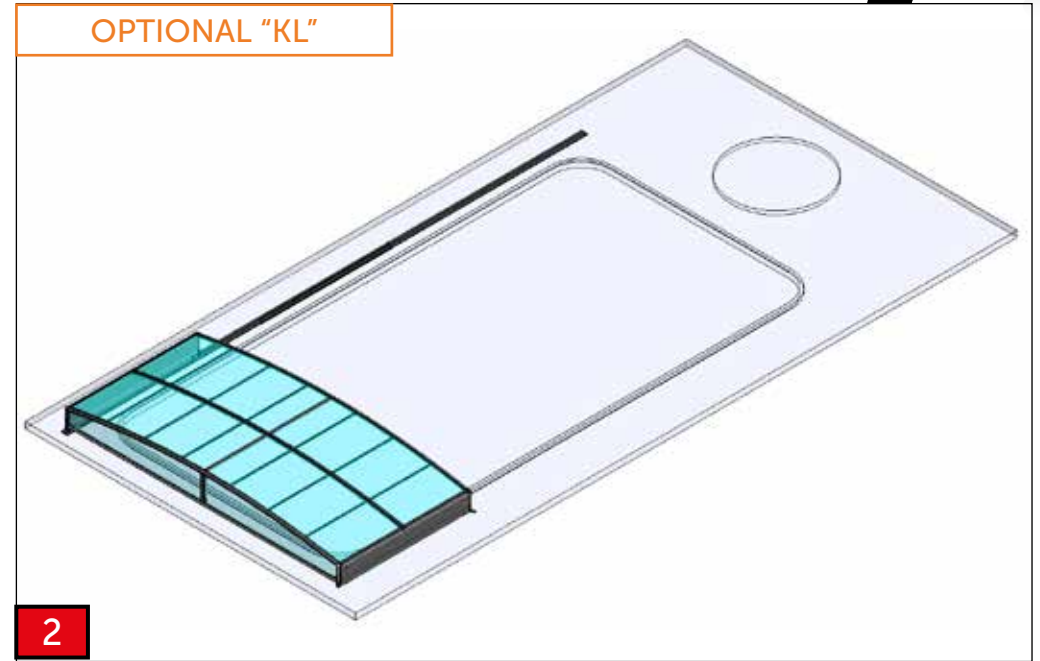
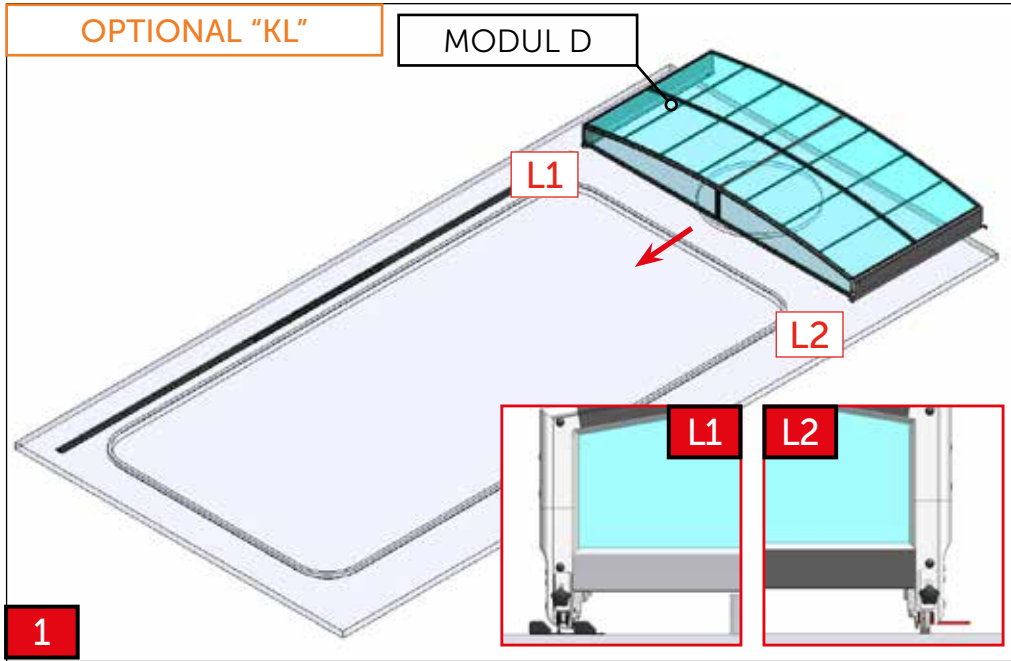


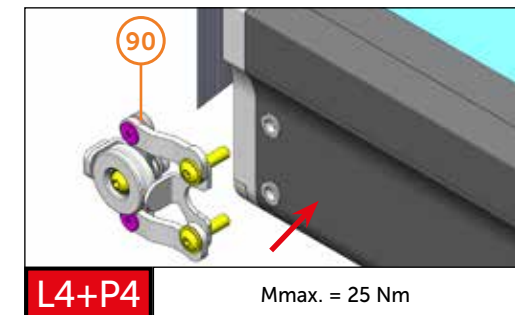
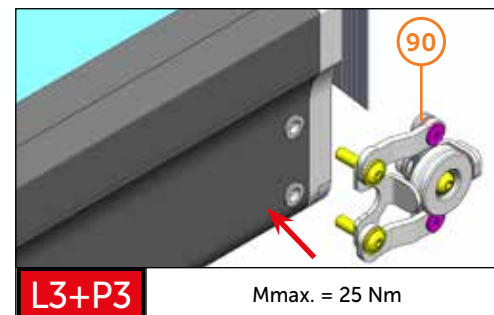
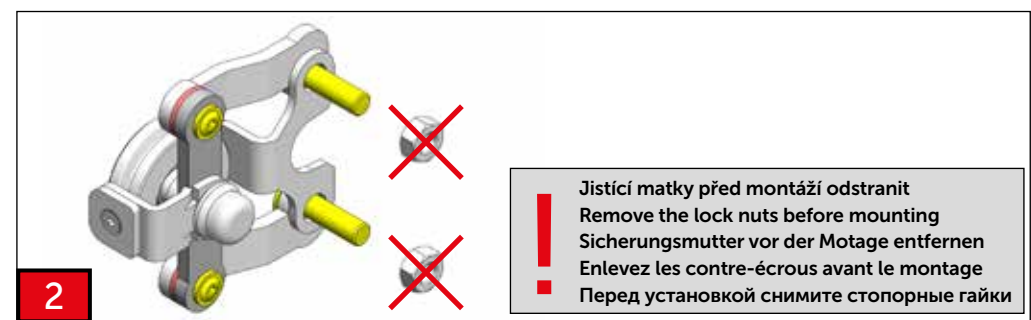
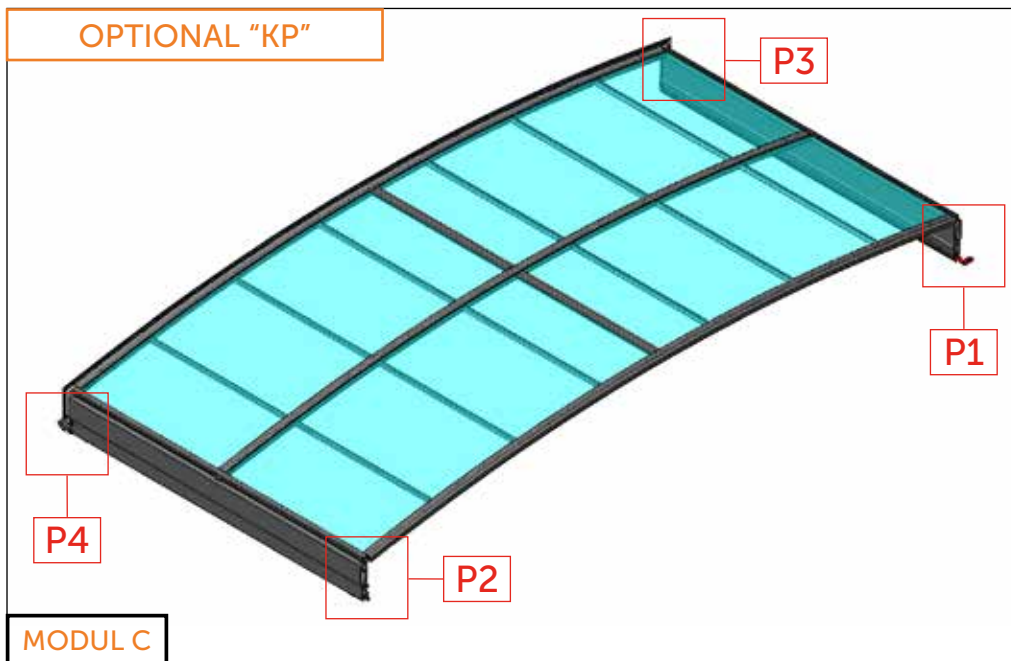
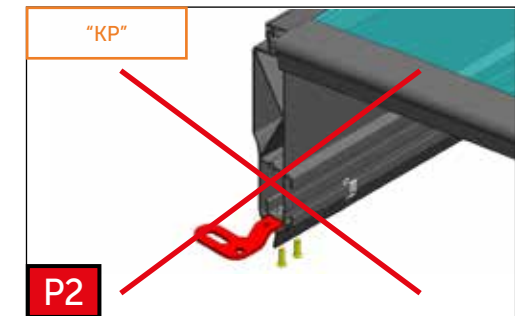
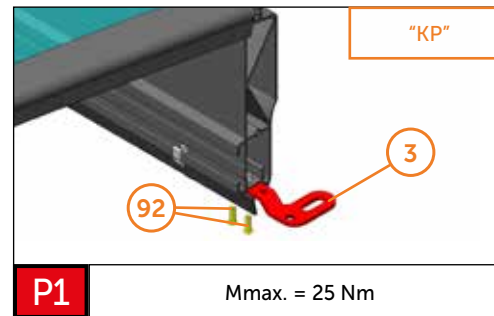
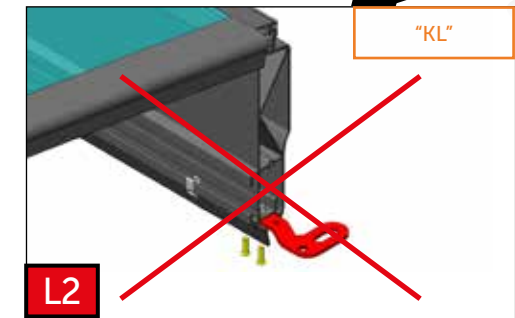
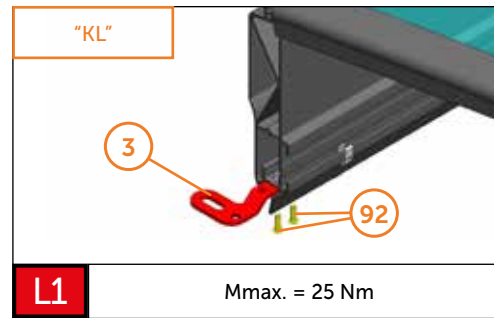
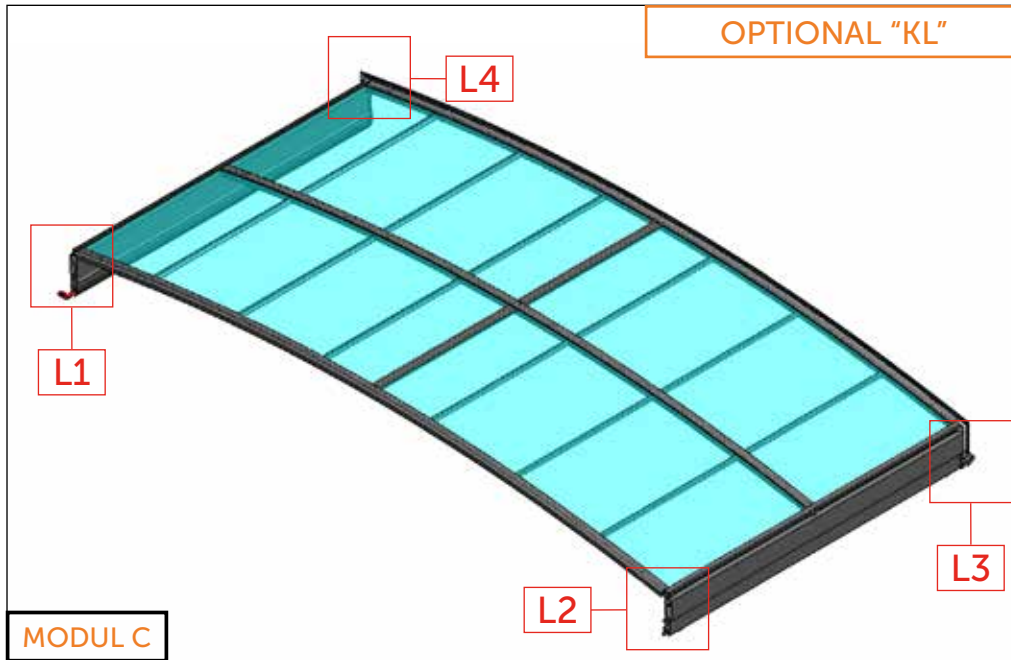
OPTIONAL "KP"

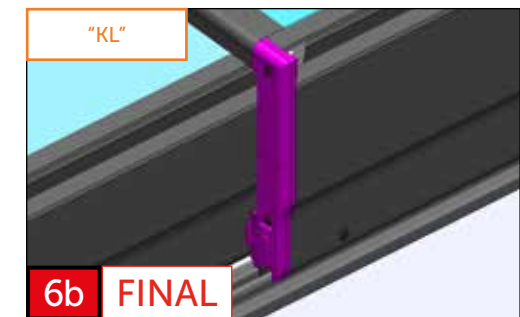
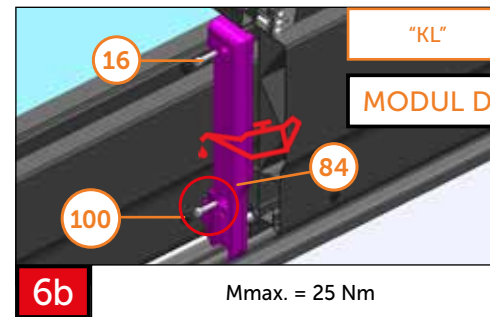
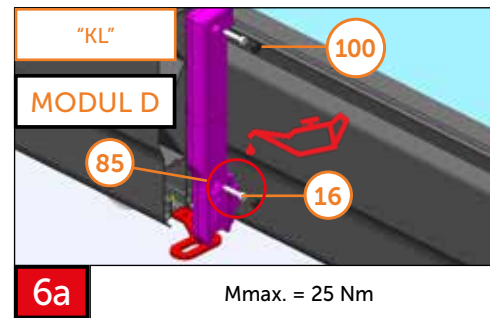
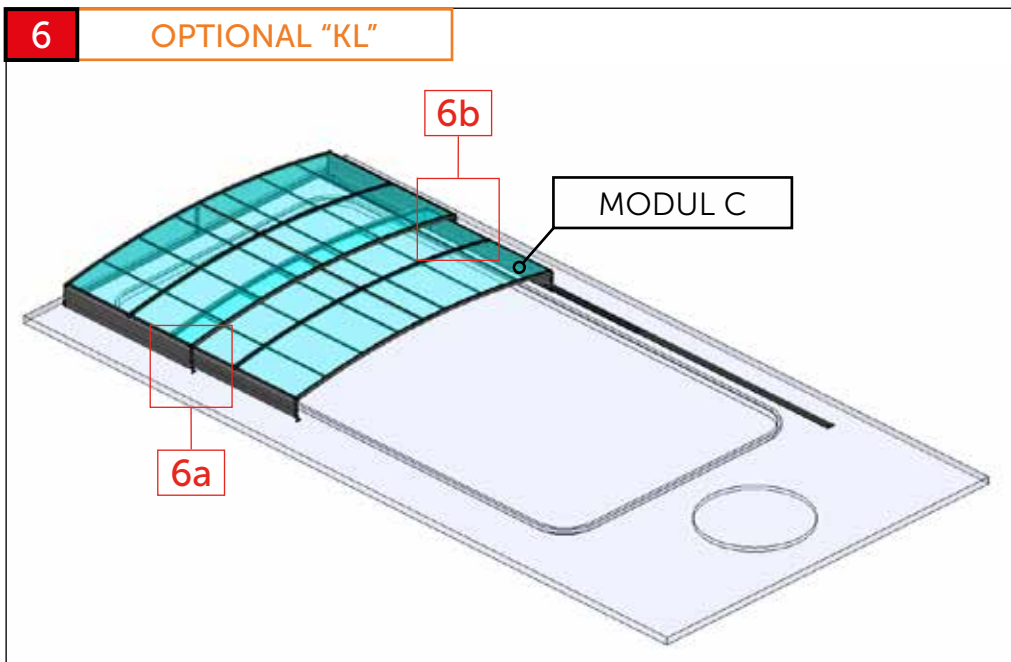
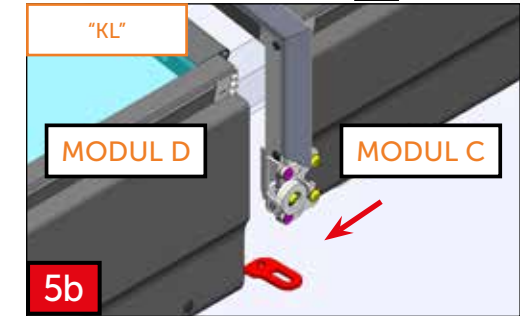
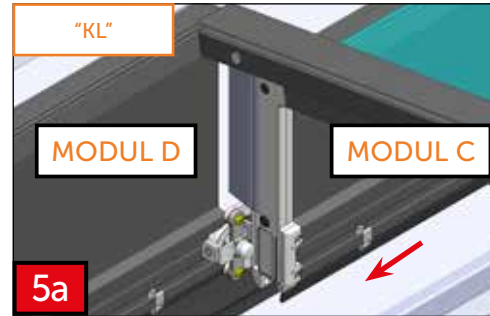
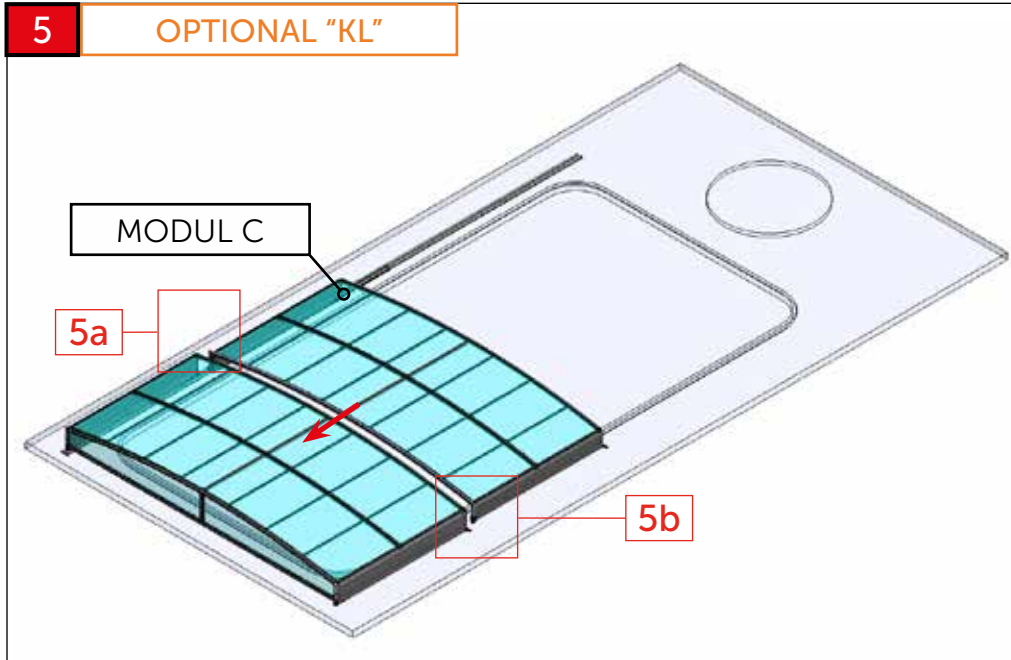


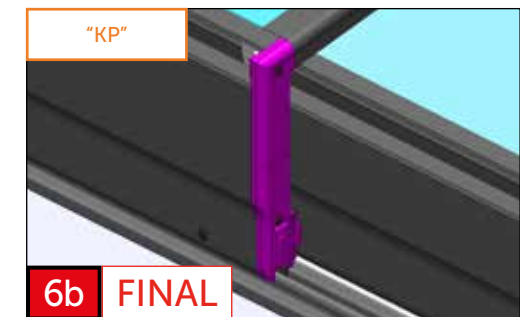
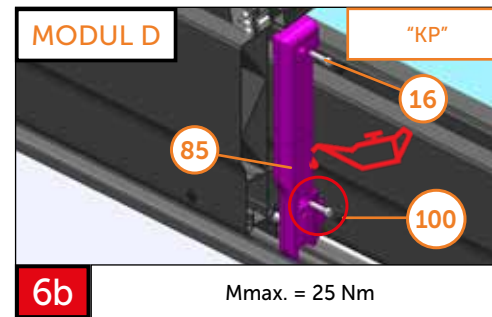
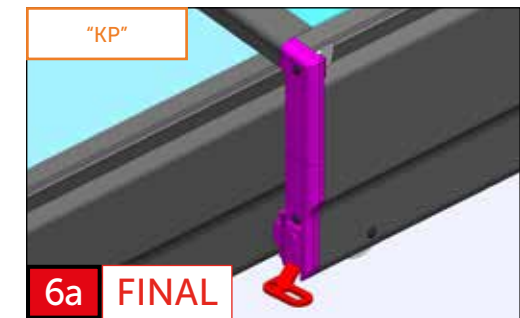
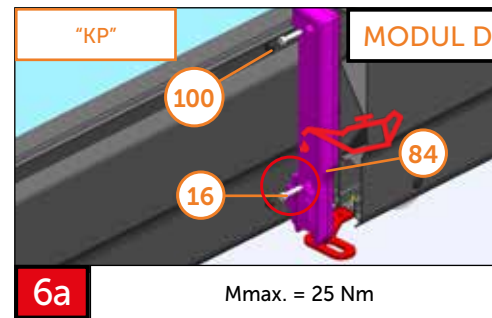
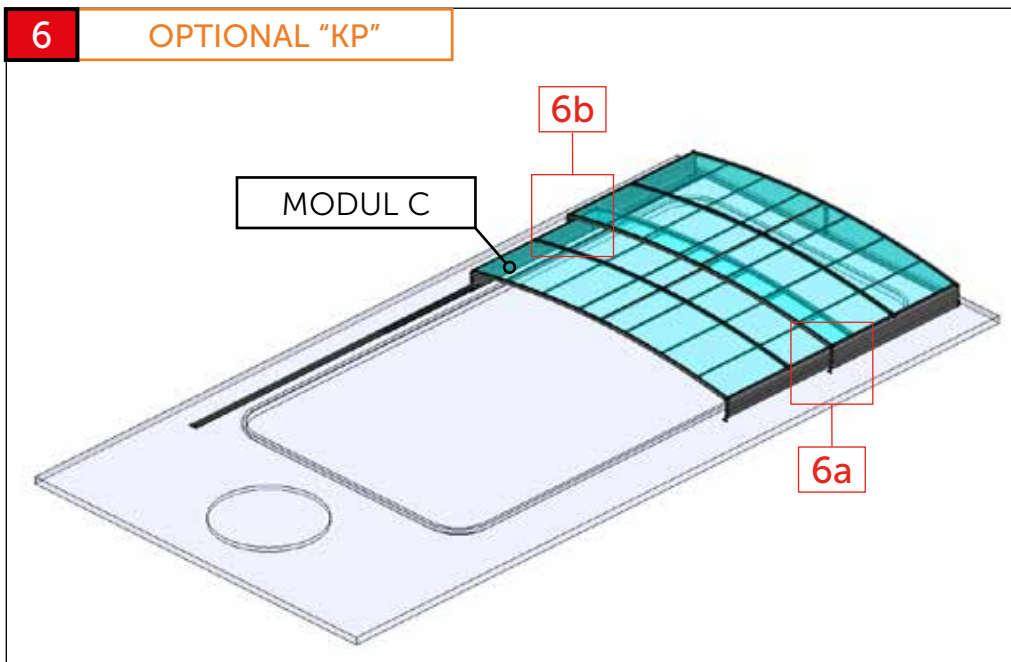
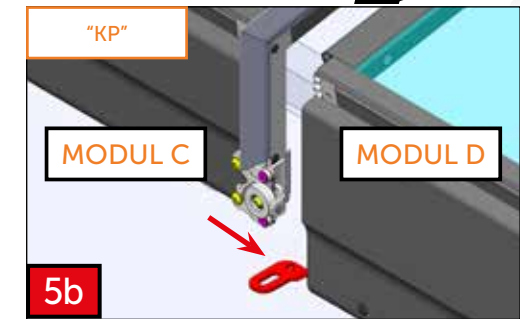
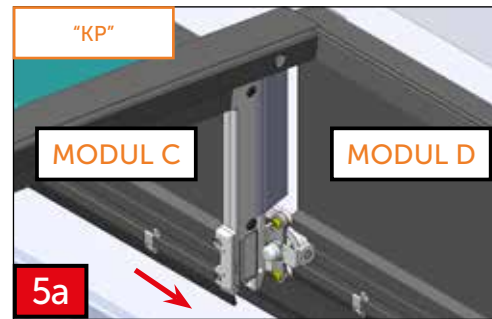
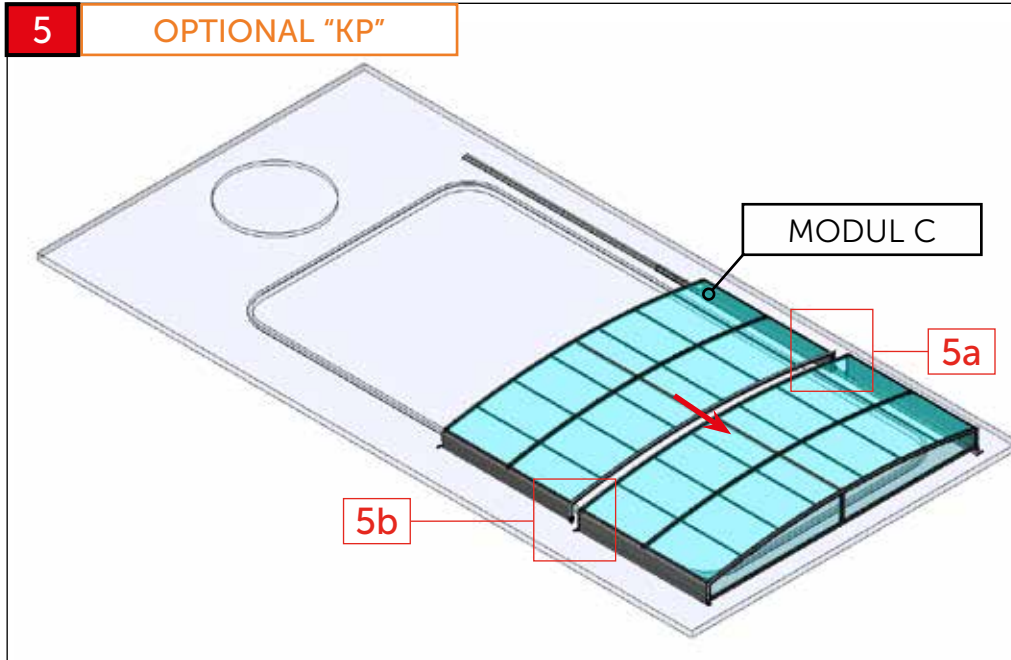
MODUL D

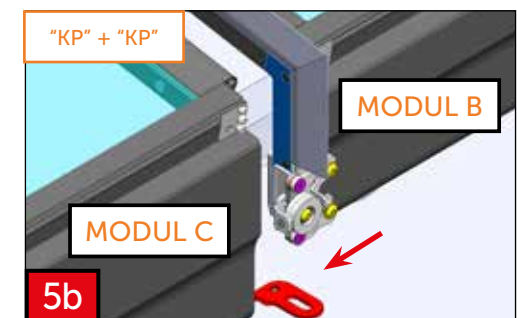
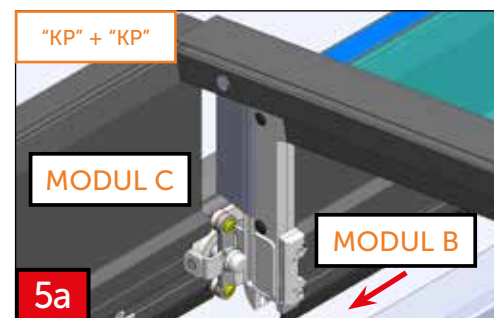
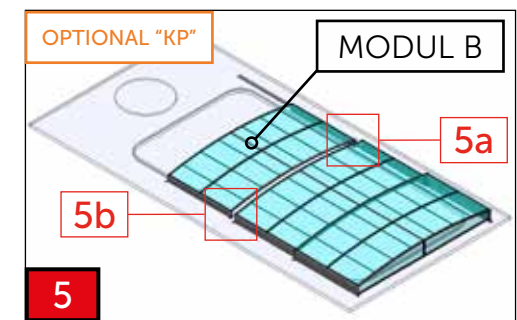
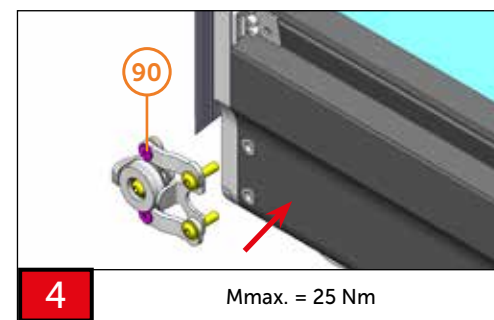
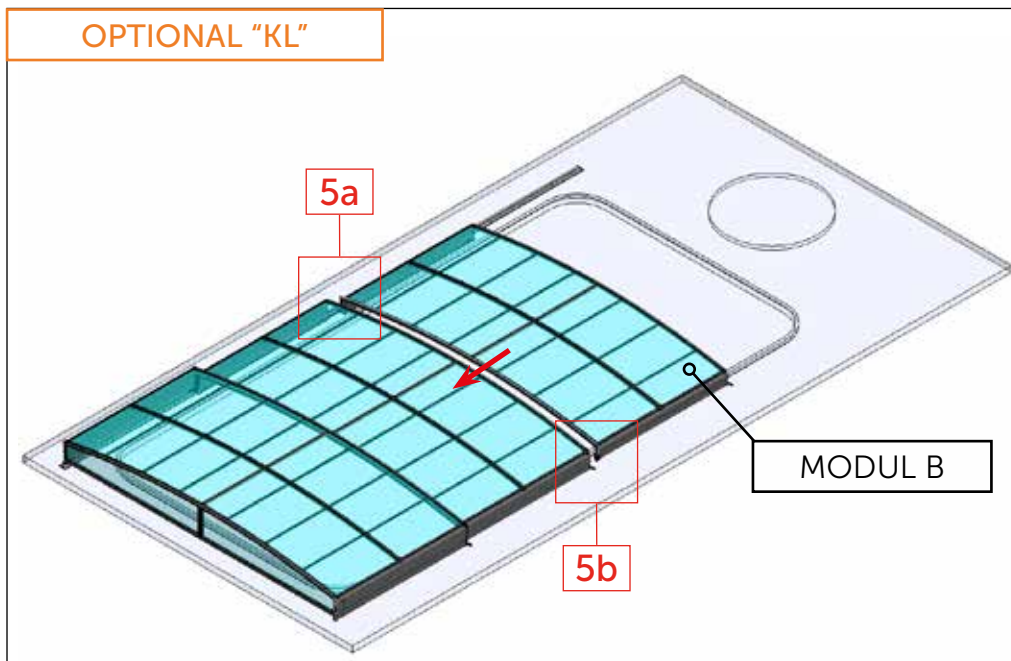
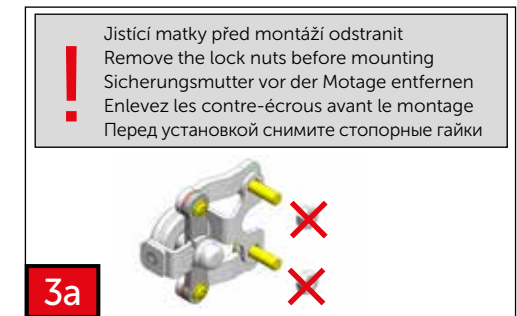
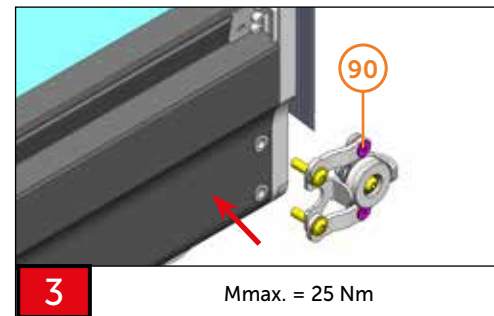
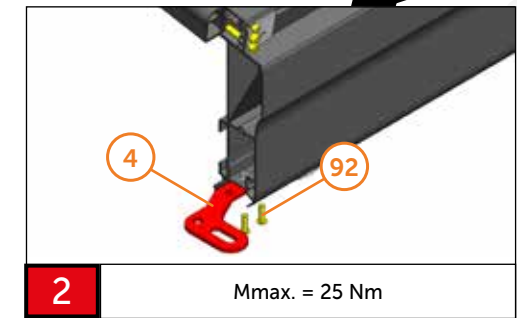
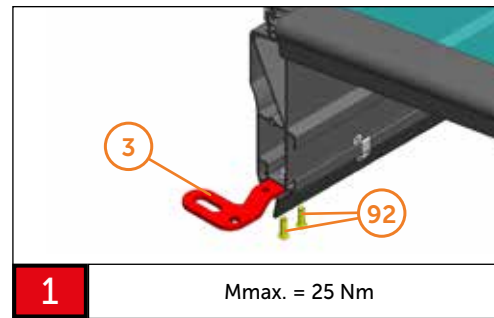
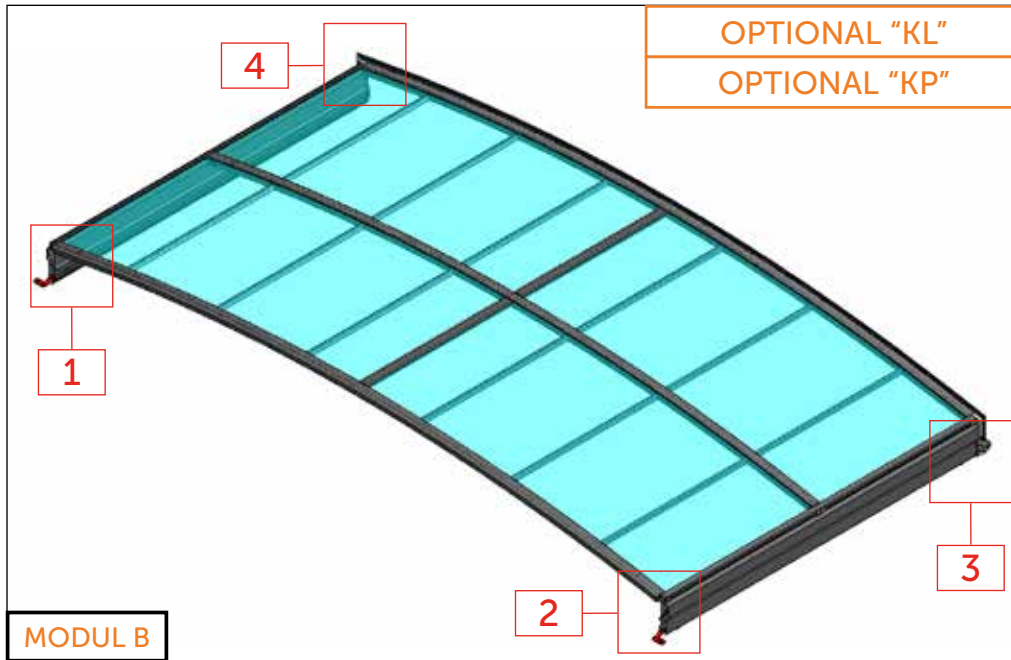


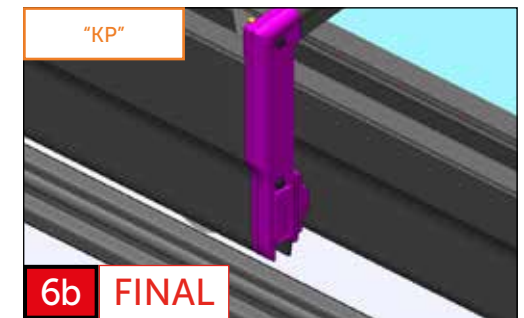
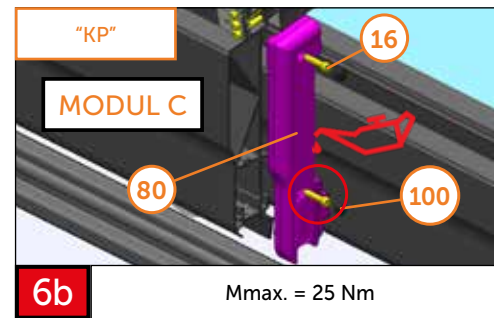
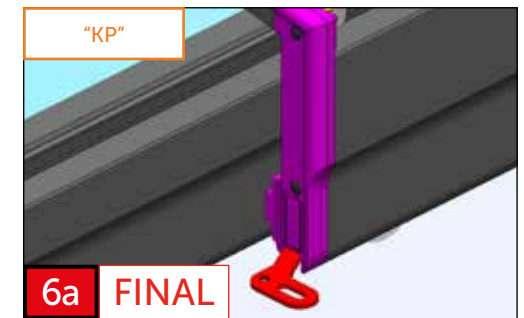
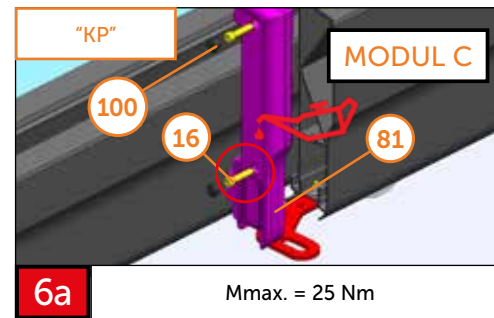
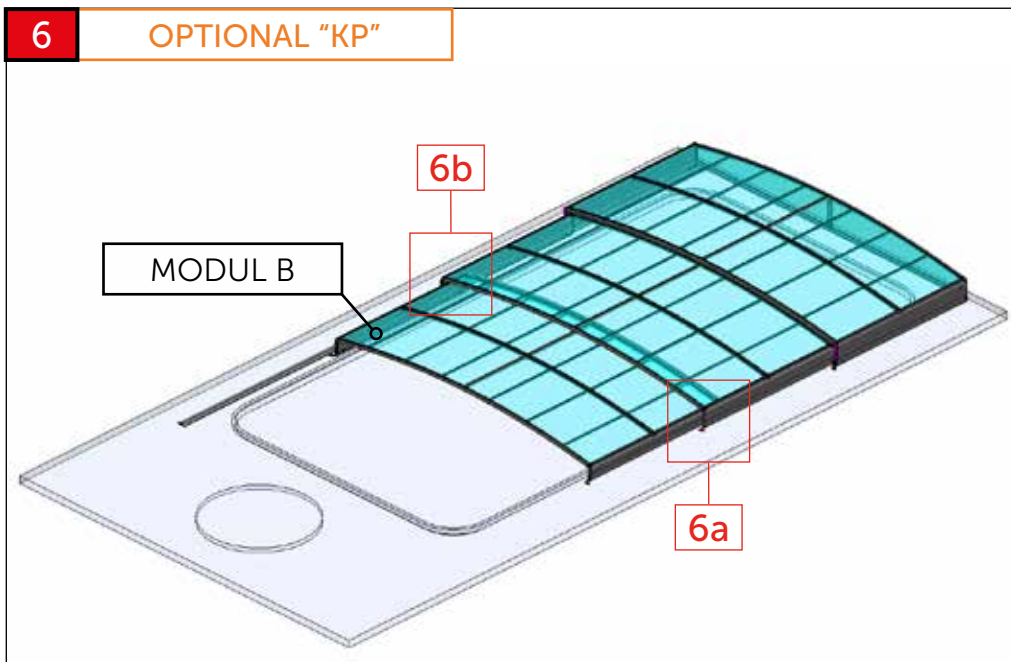
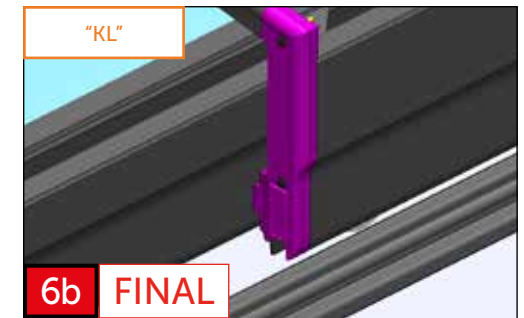
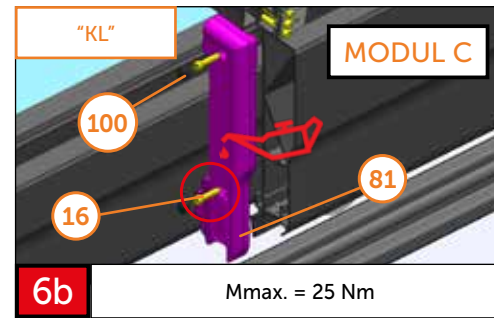
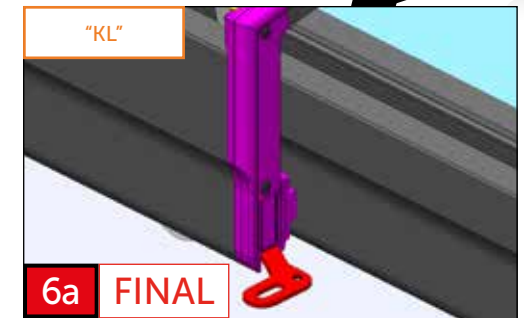
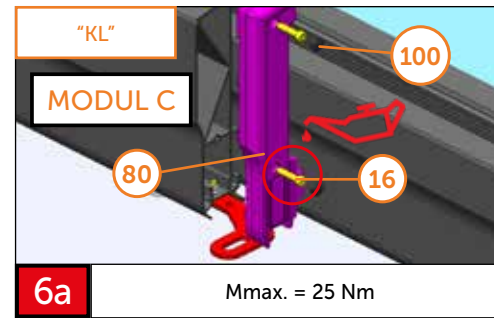
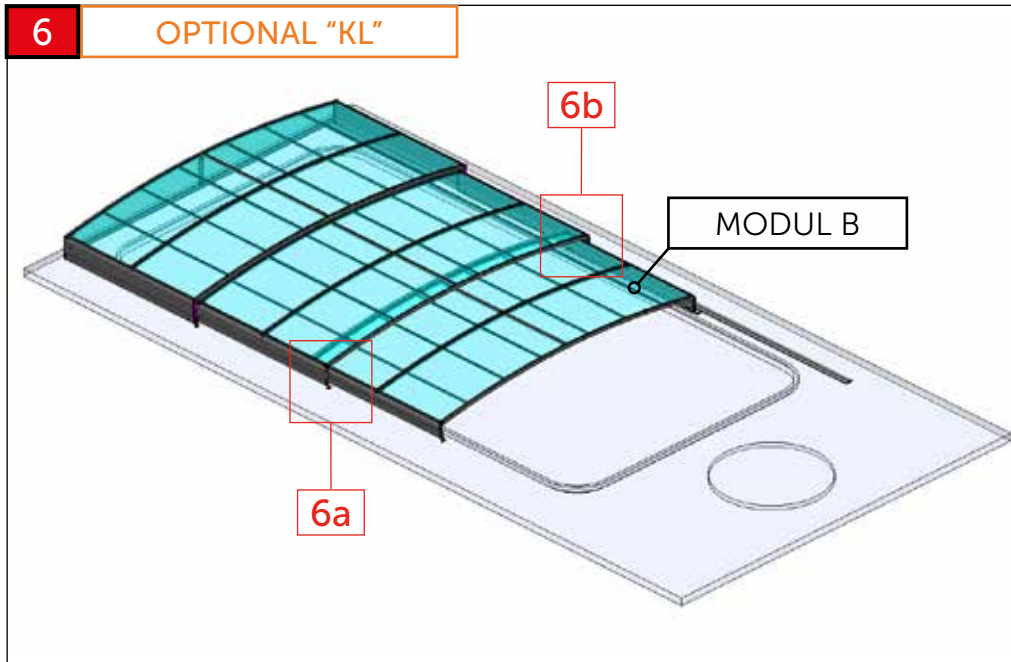


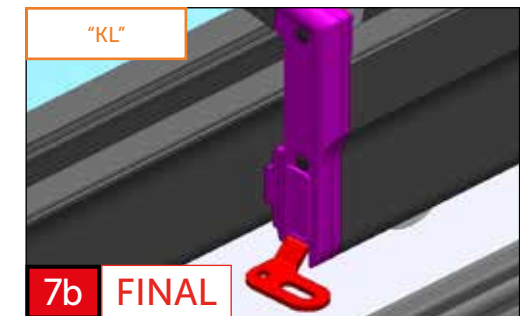
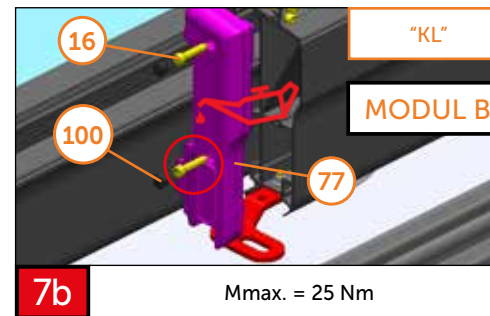
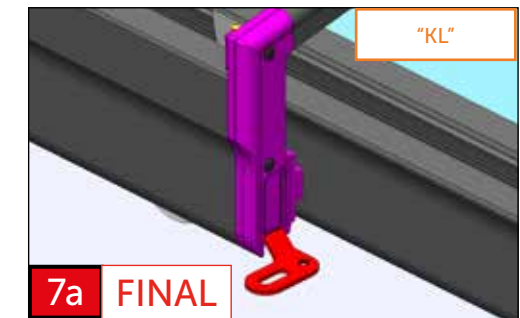
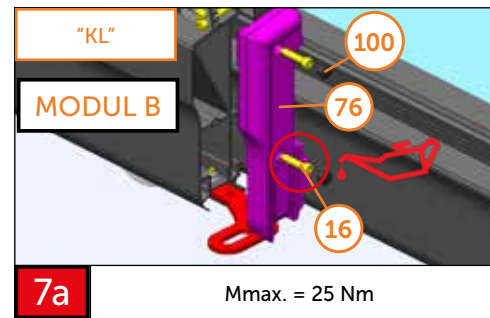
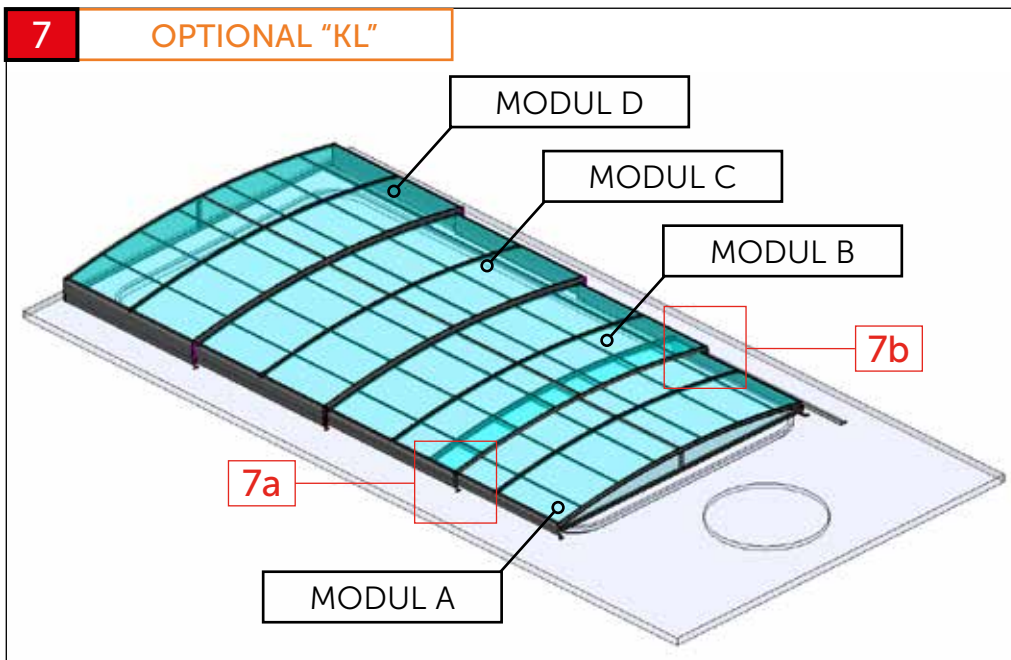
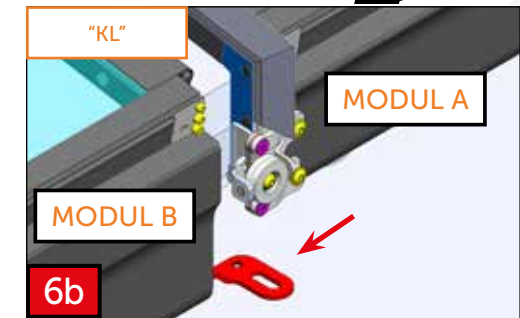
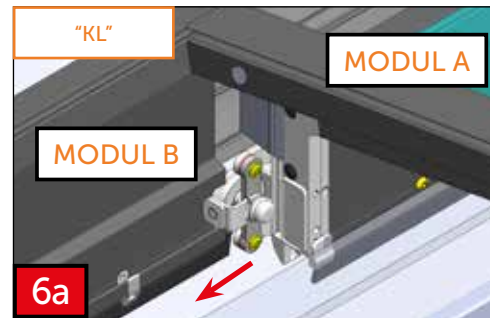
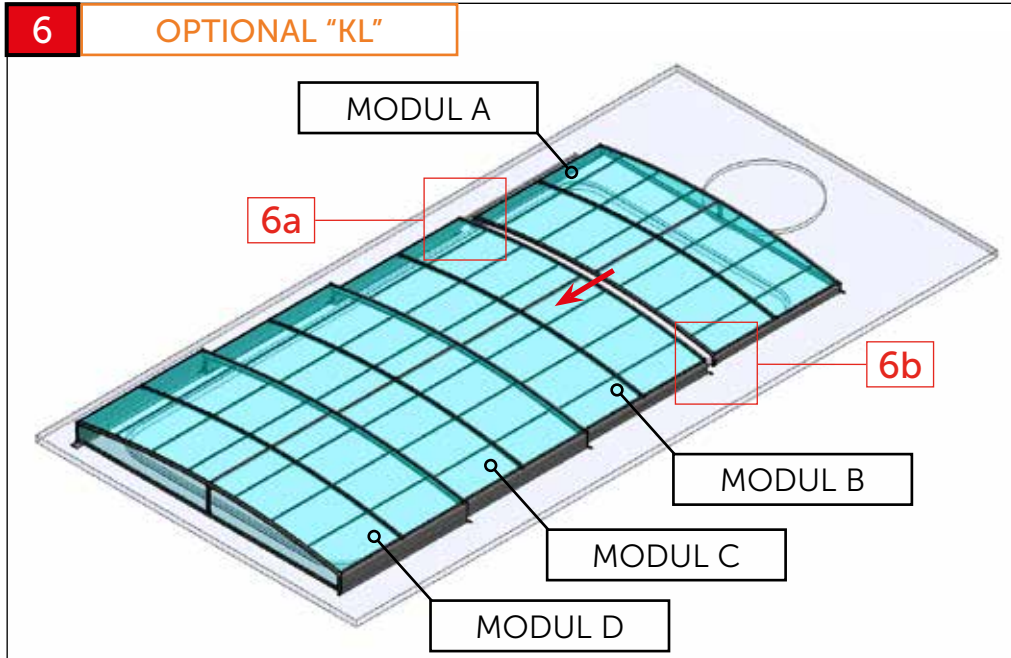


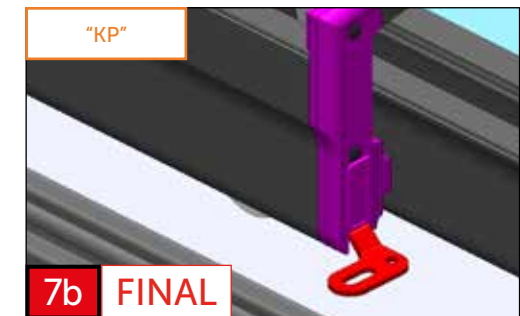
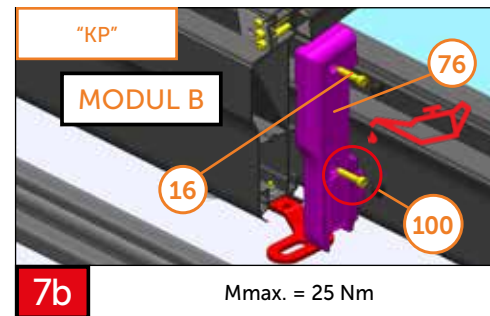
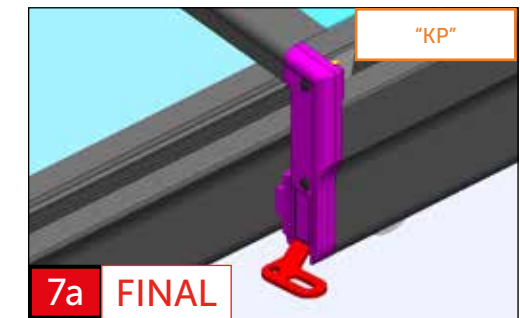
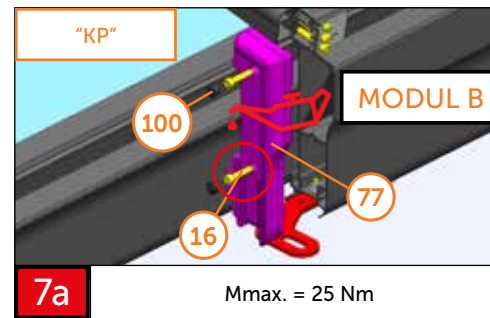
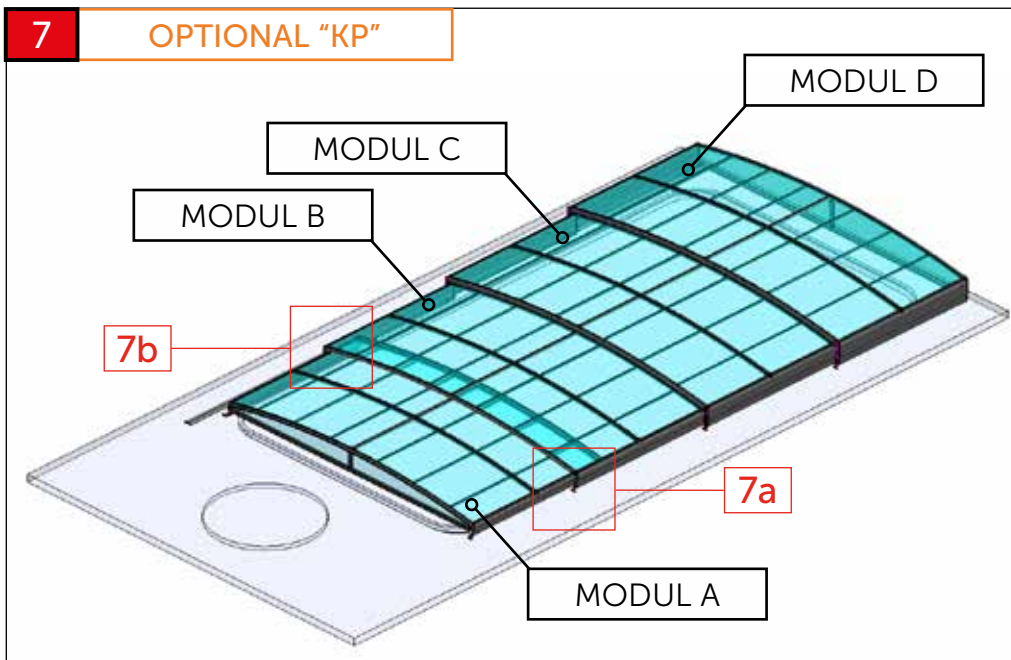
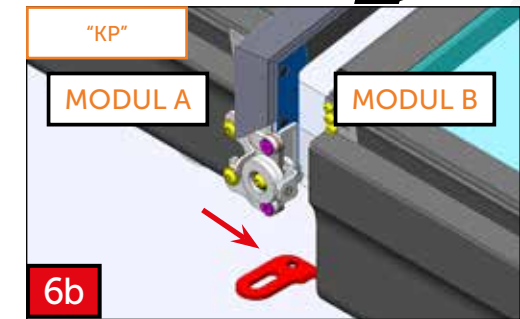
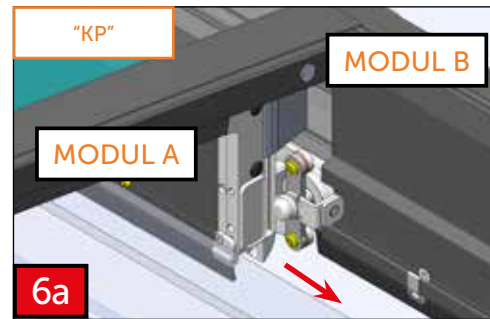
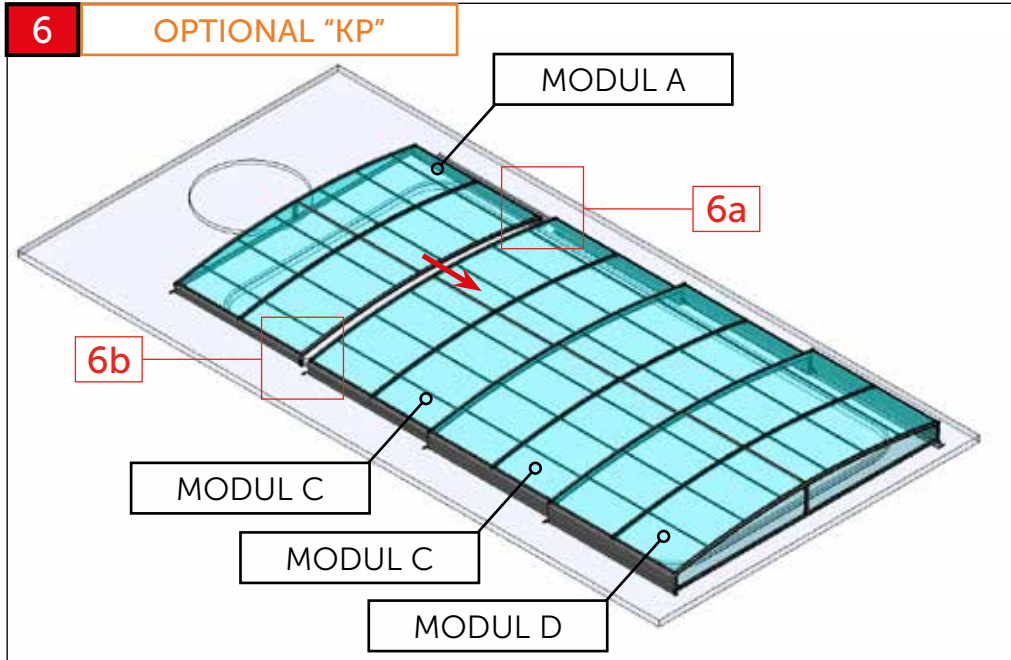


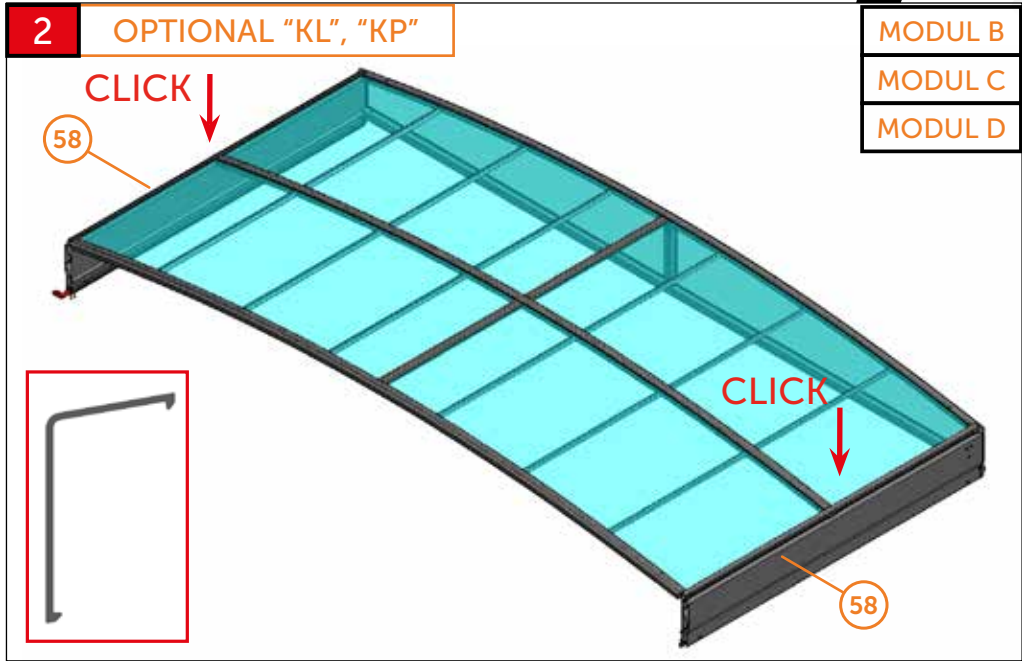
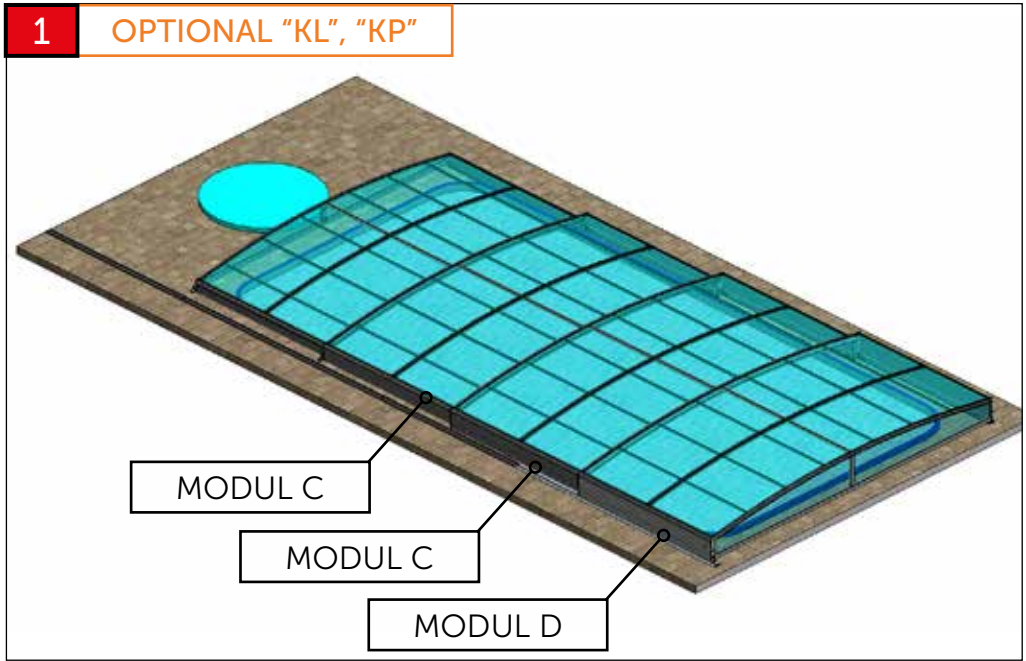




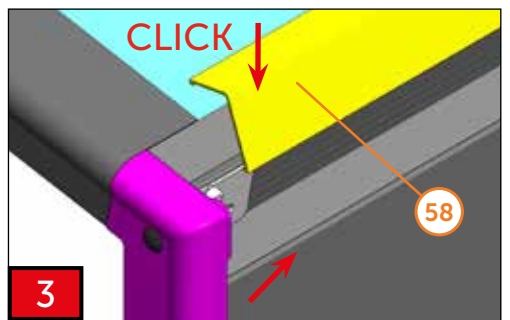


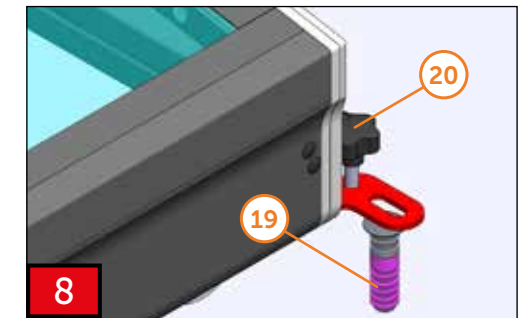
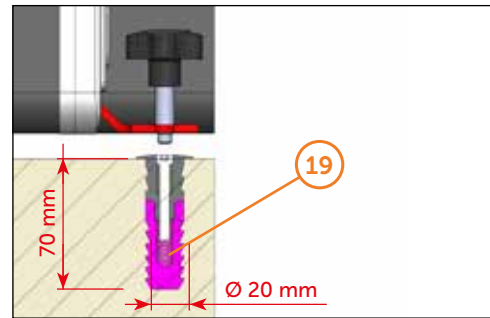
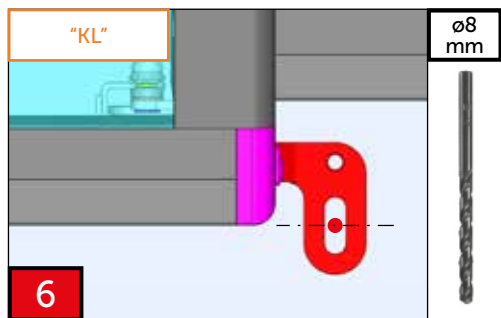
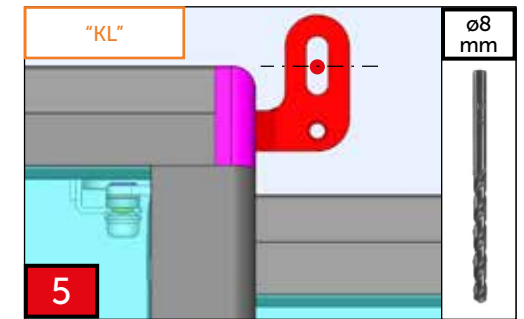
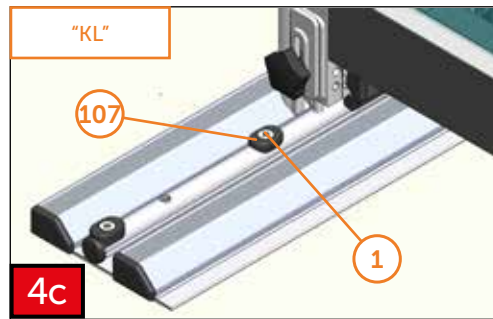
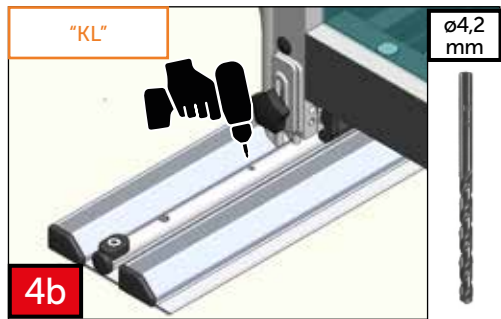
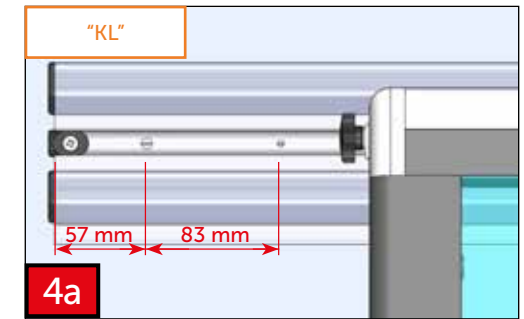
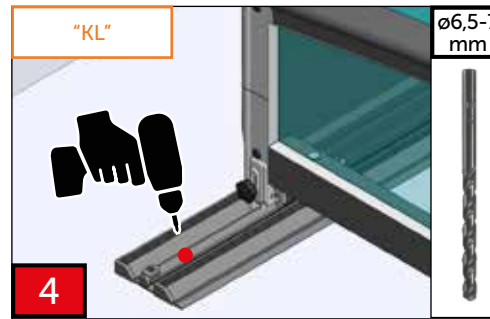
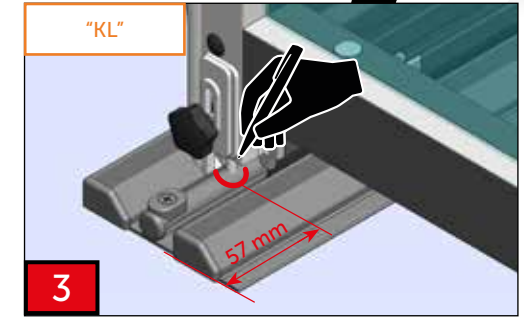
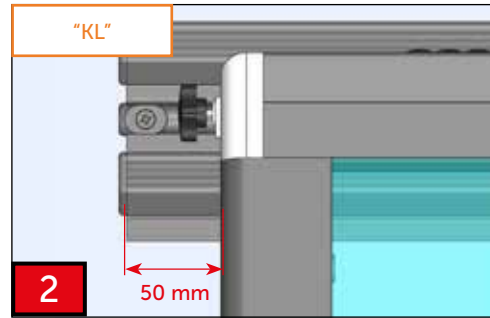
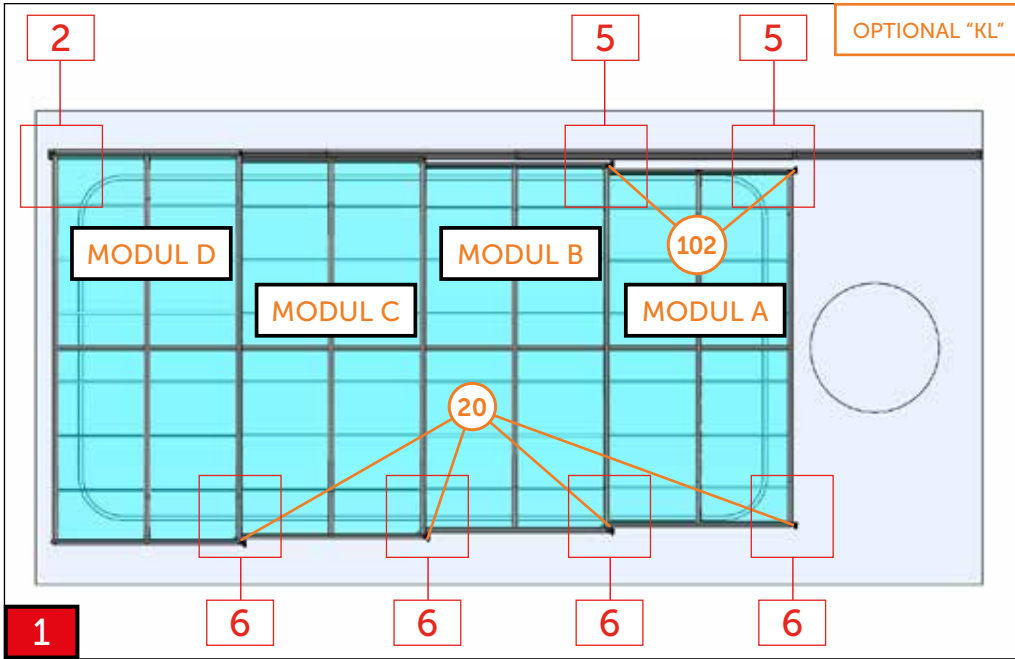






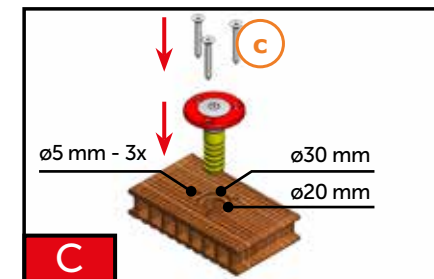
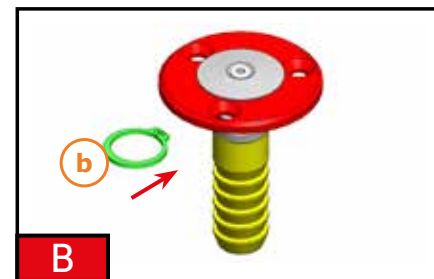
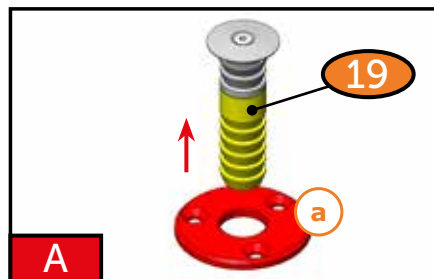
- MODUL B
- MODUL C
- MODUL D







Pouze pro dřevěné a dřevoplastové podlahy
 Only for wooden and wood-plastic floors
 Nur für Holz- und Holz-Kunststoffböden
 Uniquement pour les planchers en bois et en bois-plastique
 Только для деревянных и древесно-пластиковых полов



1 OPTIONAL "KL"

MODUL D MODUL B
MODUL C MODUL A

Odjistit modul B,C,D
Unlock the module B,C,D
Modul B,C,D entsperren
Déverrouiller le module B,C,D
Разблокировать модуль B,C,D

2 OPTIONAL "KL"

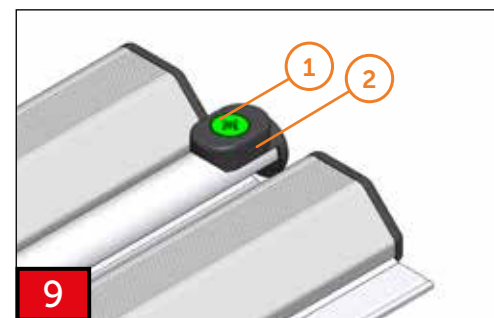
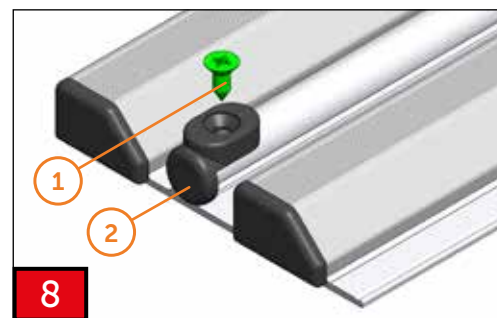
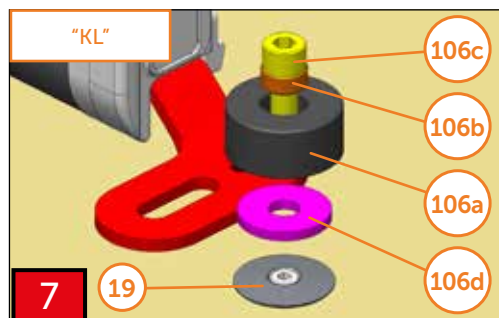
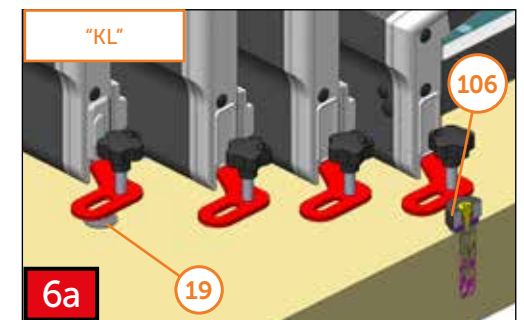
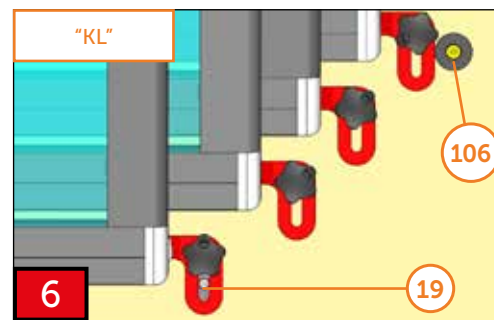
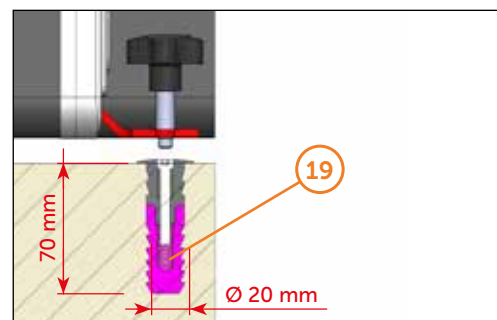
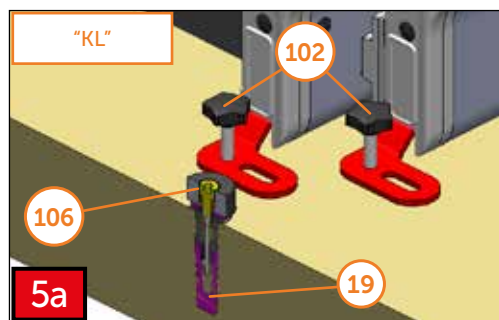
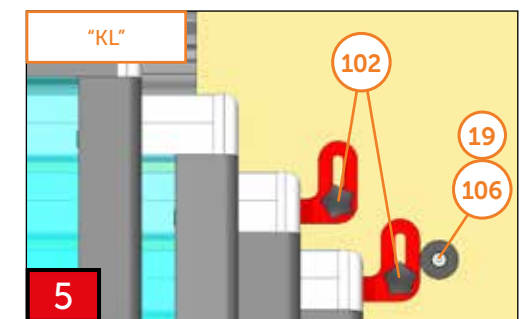
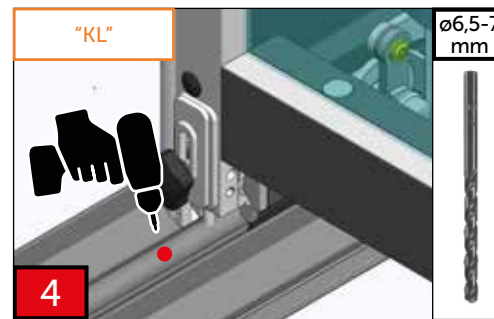
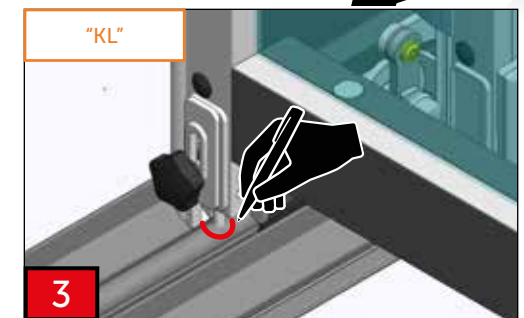
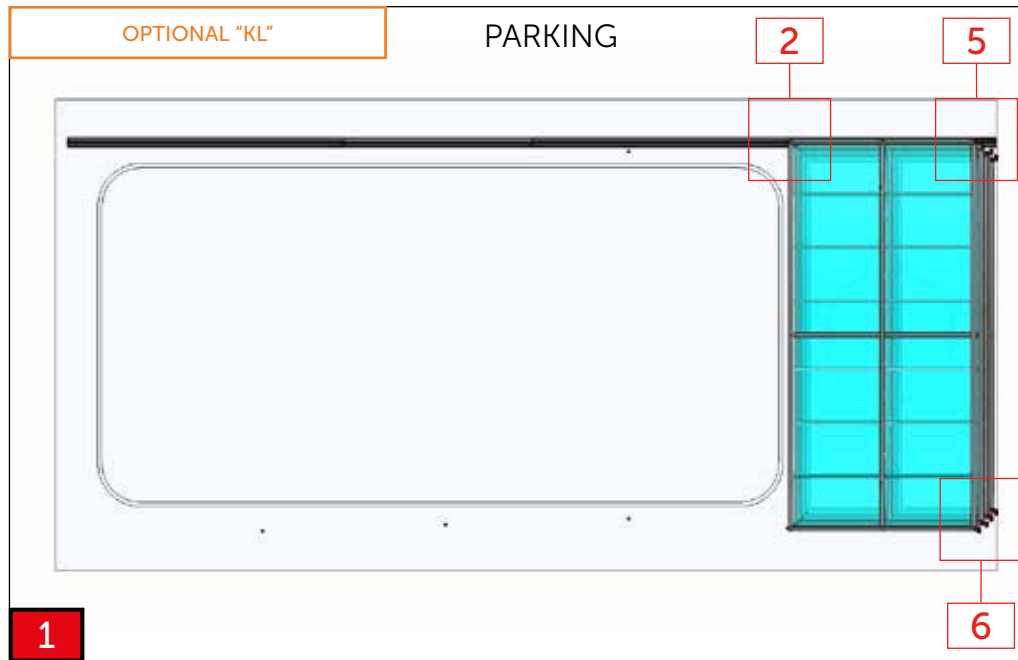
Zajištěný modul A
Locked module A
Modul A gesperrt
Module A verrouillé
Заблокированный модуль A

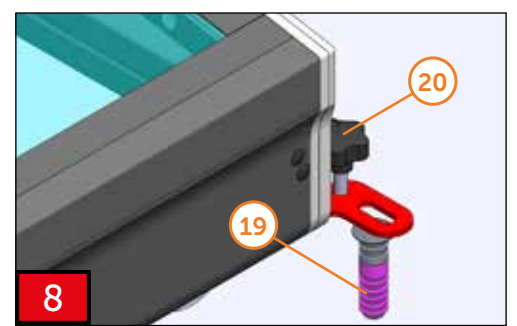
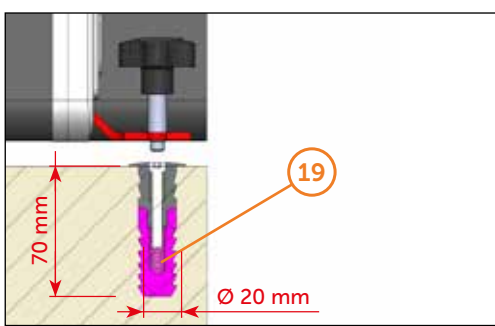
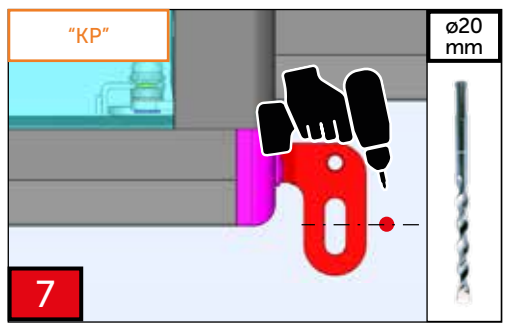
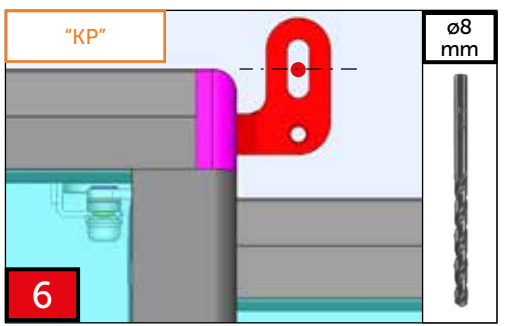
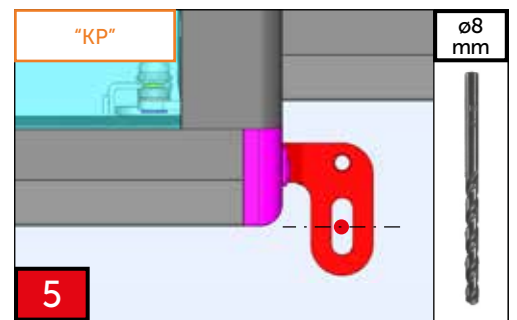
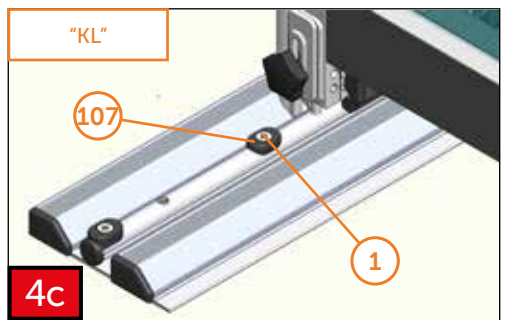
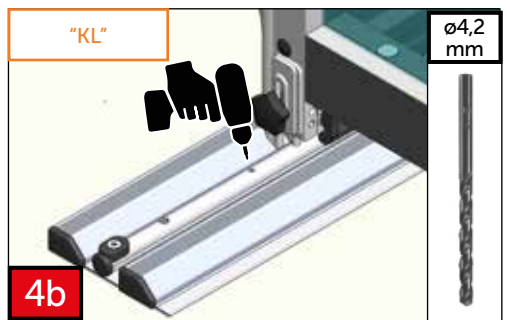
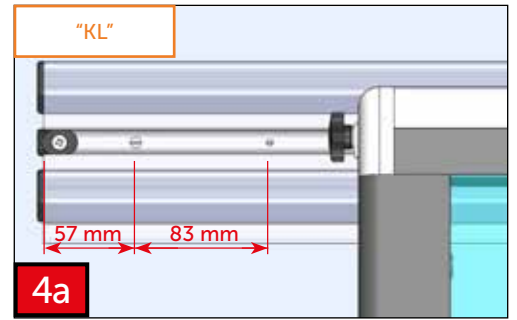
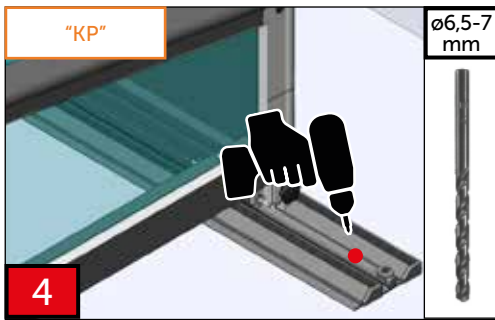
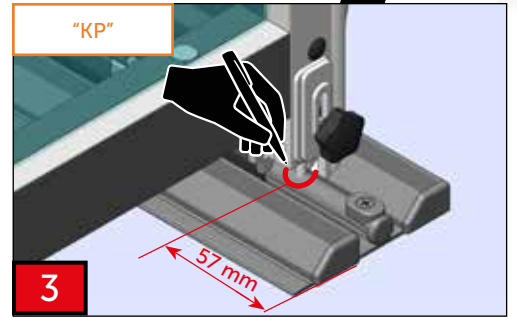
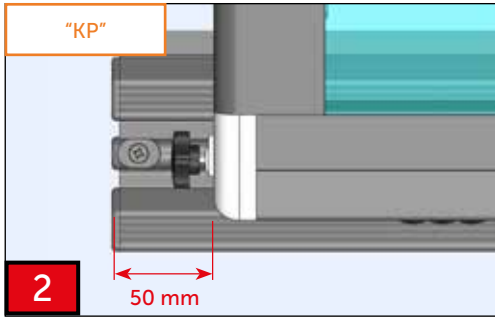
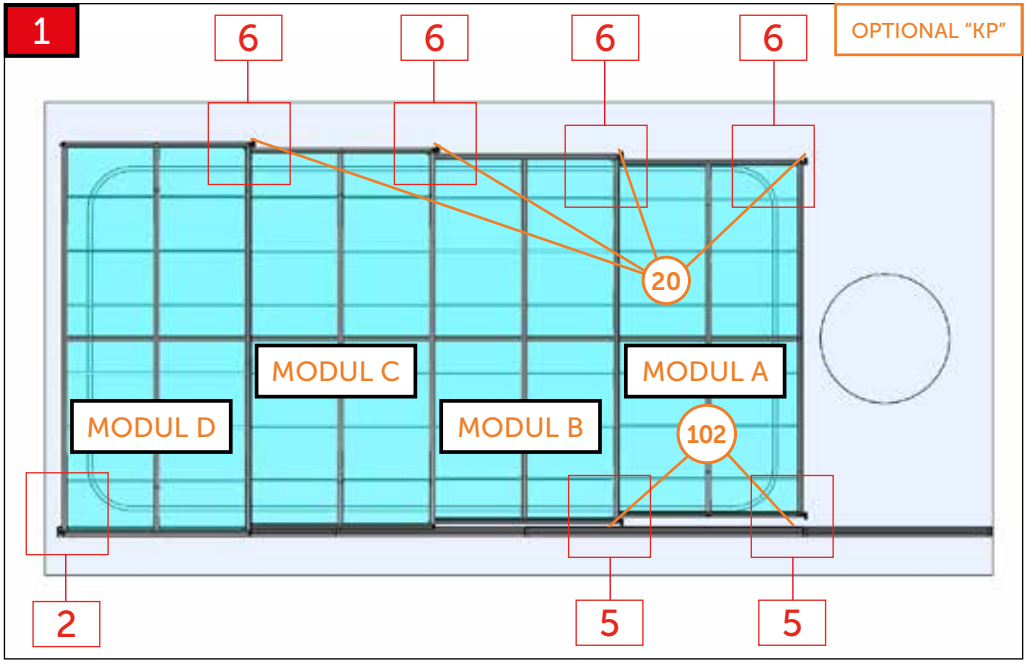
3 OPTIONAL "KL"

Odjistit modul A
Unlock the module A
Modul A entsperren
Déverrouiller le module A
Разблокировать модуль A

4 PARKING OPTIONAL "KL"

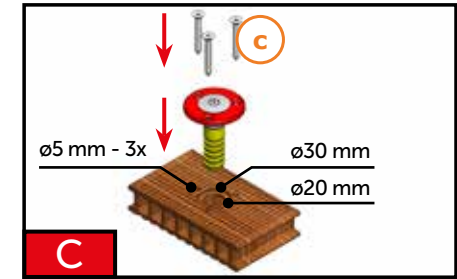
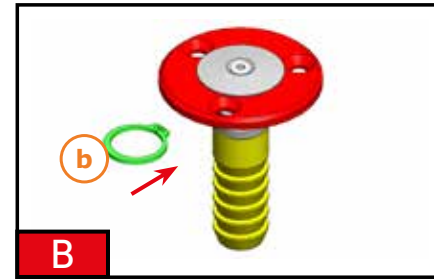
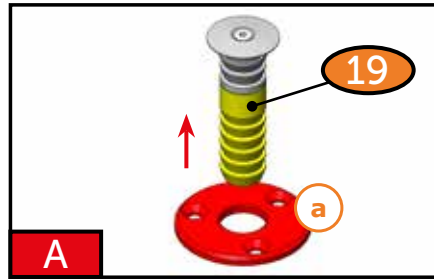
Zajistit modul B,C,D
Lock the module B,C,D
Modul A,B,C,D sperren
Module de verrouillage B,C,D
Блокировать модуль B,C,D







Pouze pro dřevěné a dřevoplastové podlahy
 Only for wooden and wood-plastic floors
 Nur für Holz- und Holz-Kunststoffböden
 Uniquement pour les planchers en bois et en bois-plastique
 Только для деревянных и древесно-пластиковых полов



1 OPTIONAL "KP"

MODUL D
MODUL C
MODUL B
MODUL A

Odjistit modul B,C,D
Unlock the module B,C,D
Modul B,C,D entsperren
Déverrouiller le module B,C,D
Разблокировать модуль B,C,D

2 OPTIONAL "KP"

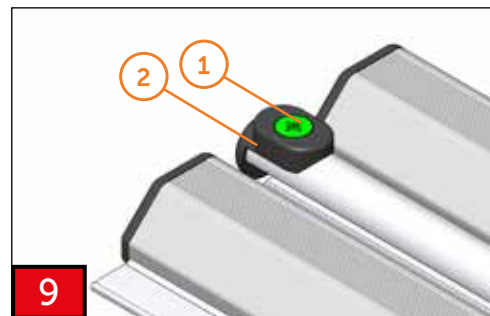
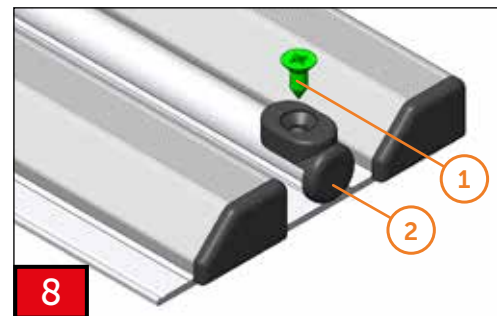
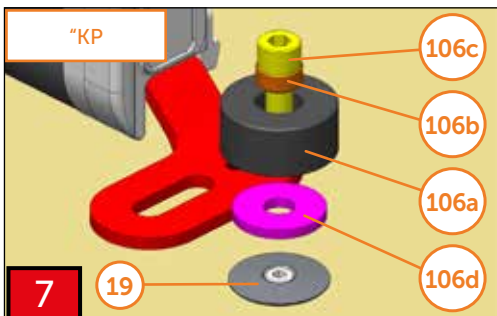
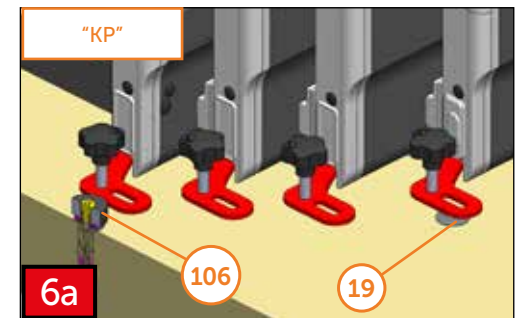
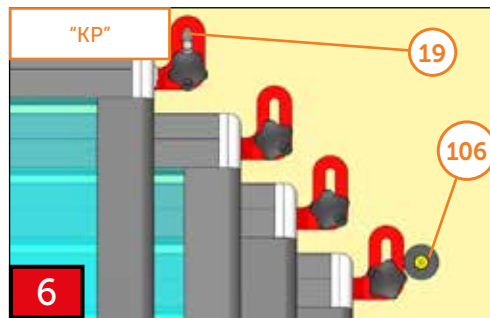
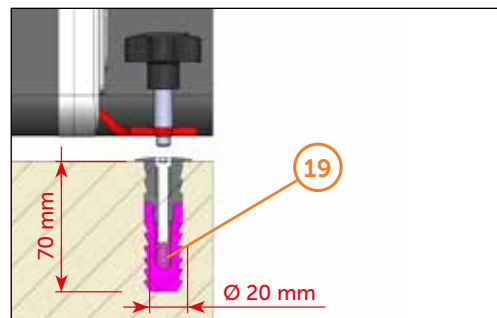
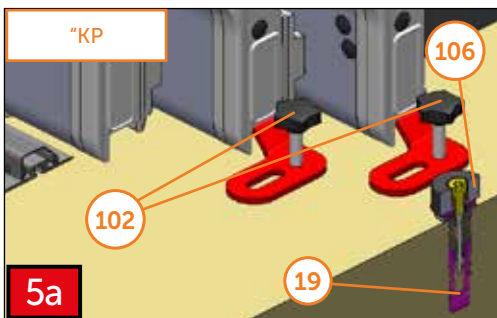
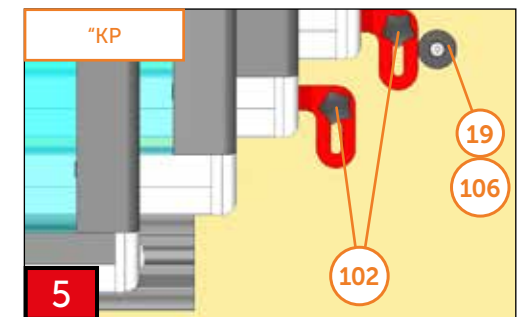
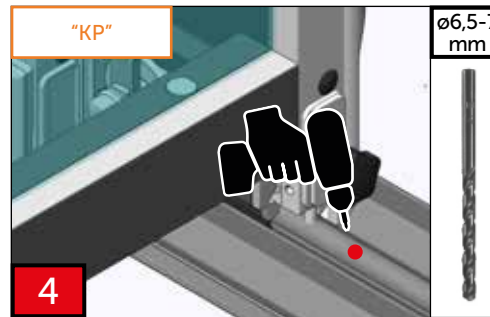
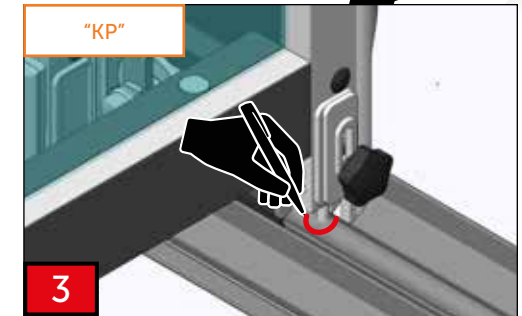
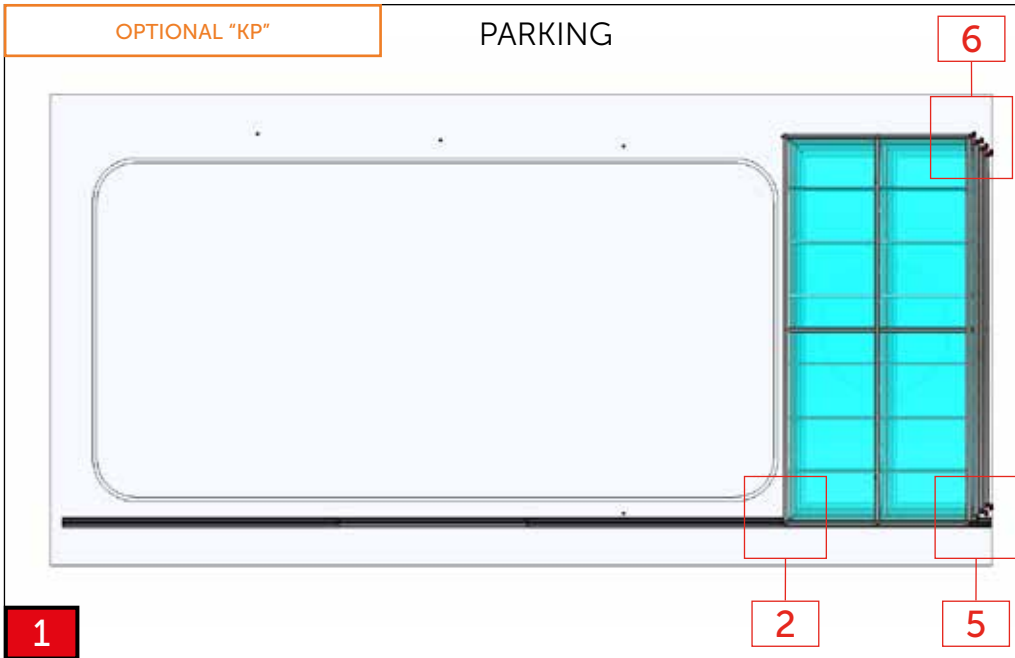
Zajištěný modul A
Locked module A
Modul A gesperrt
Module A verrouillé
Заблокированный модуль A

3 OPTIONAL "KP"

Odjistit modul A
Unlock the module A
Modul A entsperren
Déverrouiller le module A
Разблокировать модуль A

4 PARKING OPTIONAL "KP"

Zajistit modul B,C,D
Lock the module B,C,D
Modul A,B,C,D sperren
Module de verrouillage B,C,D
Блокировать модуль B,C,D





CZ

Dodavatel si vyhrazuje právo na změny a úpravy technických parametrů uváděných v tomto katalogu s ohledem na technický vývoj a zdokonalení výrobků a balení.
Dodavatel si vyhrazuje právo na tiskové chyby a chyby v sazbě. Před montáží si pozorně přečtěte návod. Návod si uchovejte pro pozdější použití.

DE

Der Lieferant behält sich das Recht auf Änderungen und Anpassungen der technischen Parameter, die in diesem Katalog aufgeführt sind, mit Rücksicht auf die technische Entwicklung und Verbesserung der Produkte und Verpackung vor. Der Lieferant behält sich das Recht auf Druckfehler und Fehler im Satz vor.
Vor der Montage lesen Sie bitte die Anleitung sorgfältig durch. Bewahren Sie die Anleitung für spätere Verwendung auf.

EN

The supplier reserves the right for modifications and adaptations of the technical parameters stated in this catalogue, considering the technical development and upgrade of the products and packaging.
The supplier reserves the right for print errors and typographical errors. Please read the manual carefully before you will start the installation. Keep the manual for later use.

ES

El proveedor se reserva el derecho de hacer cambios y modificaciones técnicas de los parámetros que figuran en este catálogo, con respecto al desarrollo técnico mejorando los productos y embalajes.
El proveedor se reserva también el derecho a errores de impresión y composición. Antes de empezar la instalación, lea atentamente las instrucciones. Guarde las instrucciones para su uso posterior.

FR

Le fabricant se réserve le droit de modifier les paramètres techniques cités dans ce manuel en considération du développement technique et de l'amélioration des produits et de leur emballage. Le fabricant se réserve le droit des fautes d'impression et de composition. À lire attentivement et à conserver pour une consultation ultérieure.

HU

Gyártó fenntartja jogát a katalógusban feltüntetett műszaki paraméterek változtatására a termékek és csomagolás technikai fejlesztése és tökéletesítése szerint.
Szállító: a szállító fenntartja jogát a nyomtatási és szedési hibákra.

IT

Il fornitore si riserva il diritto di effettuare modifiche e correzioni ai parametri tecnici riportati nel presente catalogo per migliorare e perfezionare dal punto di vista tecnico i prodotti e gli imballaggi.
Il fornitore non esclude inoltre l'eventuale presenza di errori di stampa e di impaginazione. Prima dell'installazione, leggere attentamente le istruzioni. Tenere l'istruzione per un uso successivo.

PL

Dostawca zastrzega sobie prawo do zmian oraz dostosowania parametrów technicznych podanych w niniejszym katalogu z uwzględnieniem rozwoju technicznego i udoskonalania produktów oraz opakowań. Dostawca zastrzega sobie prawo do błędów druku oraz typograficznych.

PT

O provedor reserva-se o direito a efectuar alterações e adaptações de parâmetros técnicos mencionados neste catálogo, tendo em consideração o avanço técnico e melhorias de produtos e embalagens. O provedor reserva-se o direito a cometer erros de impressora e de edição.

RO

Furnizorul își rezervă dreptul de a modifica și schimba parametrii tehnici menționați în acest catalog cu privire la evoluția tehnică și perfecționarea produselor și a ambalării. Furnizorul își rezervă dreptul la greșelile de tipar și greșelile privind tarifele.

RU

Поставщик оставляет за собой право на изменение и исправление технических параметров продукции указанной в этом каталоге, с учетом технического развития, а усовершенствования изделий и его упаковки. Поставщик оставляет за собой право на опечатку в тексте и в ценах.
Перед установкой и эксплуатацией изделия внимательно ознакомьтесь с настоящим руководством. Сохраните данное руководство для дальнейшего использования.